

CATALOGUE

domax<sup>®</sup>



30 YEARS  
of EXPERIENCE

GARDEN FITTINGS  
**HINGES & LATCHES**



# ABOUT US

**Domax Sp. z o. o.** was founded in 1994 as a family company focused on the production and distribution of wood connectors in Poland and later in Europe. A wide range, high quality of products and the involvement of qualified professionals have made Domax one of the market leaders in the region, and CE certification guarantees compliance of construction products with European guidelines. Today, we are consistently expanding our international sales network in Europe. Customer trust is confirmed by successfully operating branches in the Czech Republic, Slovakia, Romania, Bulgaria, Croatia, Serbia and Germany, as well as constant distribution in most European countries (including the Baltic States, Spain, Moldova, Denmark, Belgium, France, Italy, Austria, Slovenia, Ukraine).





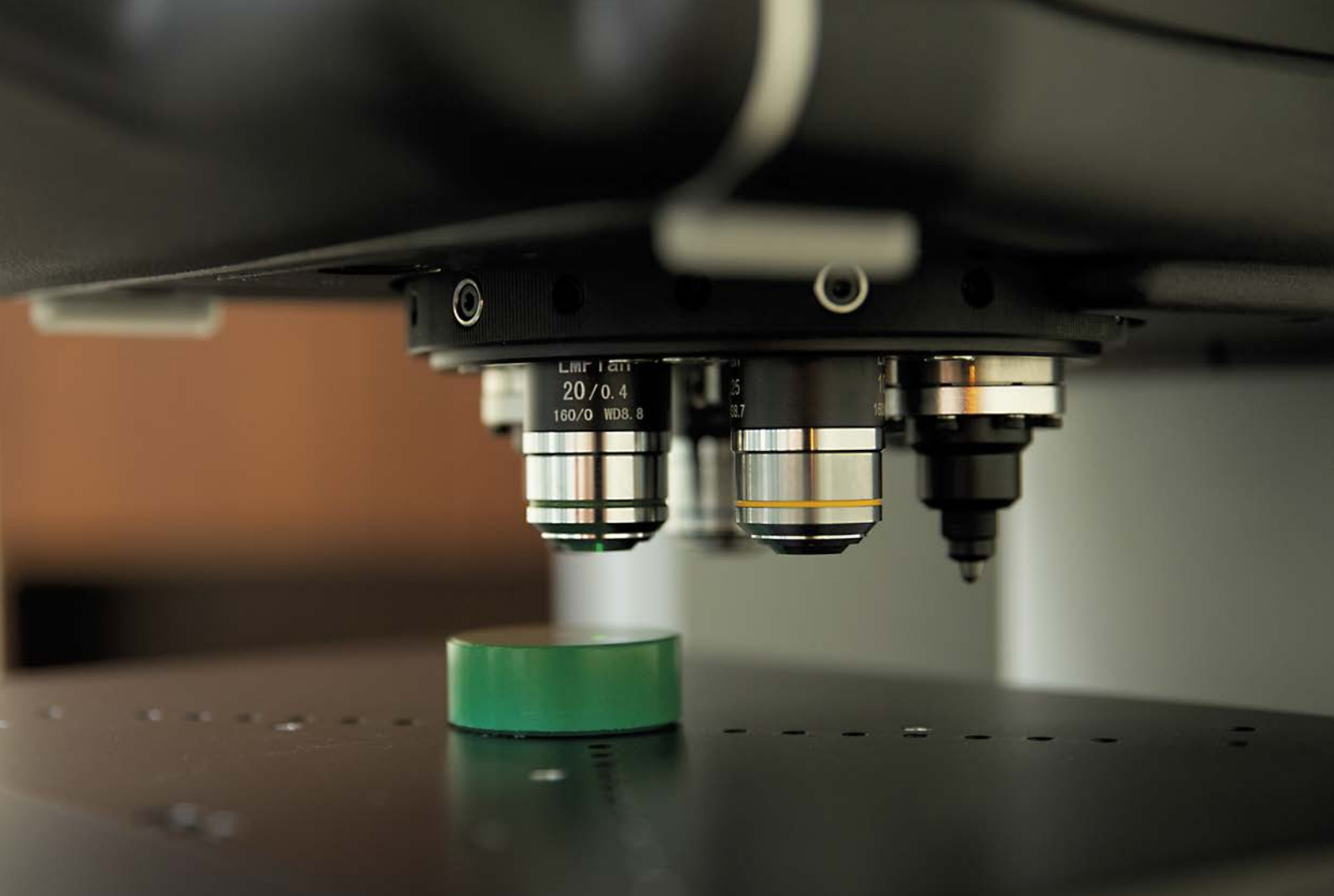


### Logistics

We implement system solutions aimed at optimizing communication with the external and internal environment of the company. We improve forwarding processes aimed at ensuring our customers with delivery of goods even within 24 hours of placing an order. We offer effective and proven tools, programs and strategies.

- ▶ machine park with an area of 7,000 m<sup>2</sup>
- ▶ a modern warehouse with a capacity of 14,500 pallet spaces
- ▶ products with the CE mark that meet European standards
- ▶ own professional research and development laboratory
- ▶ branches and distribution in several European countries





## CERTIFICATION AND QUALITY CONTROL

The Domax company has a modern laboratory that guarantees the highest standard of manufactured building materials. The production process is preceded by a series of technical tests, and the products undergo regular quality control tests.

Before a DOMAX® article is distributed, it undergoes a series of tests. We check compliance with generally applicable standards, such as PN-EN14545 and with our internal quality standards.



 European Technical Approvals

The test results of the Domax laboratory are confirmed by certification centers - the Czech TZUS, the Polish Building Research Institute ITB and the Gdańsk University of Technology. Because our internal standards often exceed generally accepted standards, quality verification performed in Polish and European centers is actually a formality.

The CE symbol on DOMAX® products confirms that the marked construction product is compliant with the harmonized European standard (hEN) or with ETA (a system intended primarily for new and innovative products) and that the assessment and verification of the product's constancy of performance has been carried out - certification. The European directives regulating the certification specify the parameters concerning the safety of use, health protection and environmental protection, and define the hazards that the manufacturer of a construction product should detect and eliminate.

Construction products must meet a number of quality requirements. To ensure this, at every stage of production, we test the properties of products, and our experienced specialists watch over the professionalism of the entire process using technically advanced control and measurement equipment. We are constantly improving the control process, verifying every stage of production - from the technical design, through the delivery and use of the highest quality materials, strict standards of manufacturing technology, to the final packaging of the products.

We believe that the basis for quality development is systematically acquired and documented knowledge. Each product has its own technological card, manufacturing drawings and history of test reports. Thanks to this, we are able not only to quickly implement new products that meet the requirements of European standards, but also to optimize the solutions present on the market.



## PROTECTIVE COATINGS

### DUPLEX ■

Double protection for a particularly high level of security. Cold-rolled sheet metal with a zinc coating applied on both sides, weight not less than 275 g/m<sup>2</sup> and thickness of about 20 µm. Additionally, DUPLEX products are powder coated, which ensures high tightness of the coating and increased corrosion resistance. Details protected in this way can be used in places periodically exposed to rain or snowfall.

### ELECTROGALVANIZING ●●

Fe/Zn 12 electroplating zinc coating > 12 µm thick, applied in accordance with PNEN ISO 2081.

Yellow passivation – yellow galvanic zinc is characterized by significant protection against corrosion, shows twice the resistance to external conditions than blue (silver) passivation. Recommended for outdoor applications exposed to precipitation and other unfavorable factors.

Blue (silver) passivation – silver galvanic zinc has a lower corrosion resistance. Products covered with such a coating are intended for use in dry rooms with the possibility of only temporary exposure to moisture (second class of use according to PNEN 199511: 2010).

### HOT-DIP GALVANIZING ●

The coating is applied by immersing an object in molten zinc at a temperature of approx. 450 °C. The obtained coating thickness is approximately 80–90 µm. Thick-layer protection is recommended for products exposed to long-term exposure to moisture, especially for elements used in the garden. Decorative paints intended for galvanized surfaces can be applied over this coating.

### ZINC FLAKE (LAMELLAR) ●

The use of the Magni 565 coating, which covers the steel surface with a mixture of zinc and aluminum flakes and binding and hardening components. This is currently the highest level of corrosion protection. It has a salt spray corrosion resistance (VDA235104 / DIN EN ISO 9227) of more than 240 hours to white corrosion and over 1,000 hours to red corrosion. Magni coatings are Cr-free and meet the requirements of the following standards: RoHS, REACH, ELVD, GADSL and WEEE. Zinc flake is used wherever the highest level of protection and durability of products is required.

### CATAPHORESIS ●

Modern technology of applying a protective anti-corrosion coating on metal surfaces. It consists in immersion painting with the simultaneous flow of electricity through a bath of water-soluble paint. Electrically charged paint particles, moving along the lines of the electric field, settle on the surface of the entire article, also in places inaccessible when using other painting techniques. Cataphoresis guarantees the possibility of obtaining a wide range of coating thicknesses (from 15 to 40 µm) and excellent anti-corrosion resistance (up to 1,000 h in a salt spray chamber).

### PRE-GALVANIZED STEEL Z275 ●

Cold-rolled sheet metal with a molten zinc coating applied on both sides, weight not less than 275 g/m<sup>2</sup> and thickness of about 20 µm. Most often it is additionally covered with a thin layer of oil film increasing the protection of the zinc layer against oxidation. Products made of galvanized sheet Z275 are characterized by high resistance to external factors, thanks to which they are perfect wherever high corrosion resistance is required, especially in open-air structures.

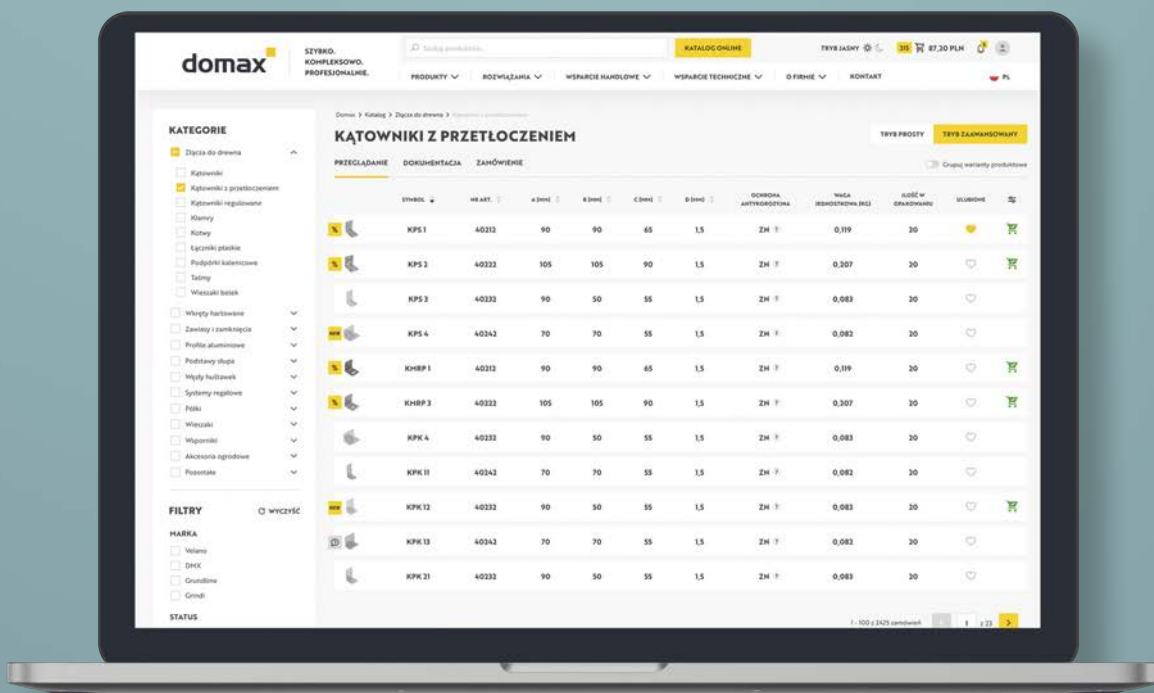
### POWDER PAINTING ●◆

Powder coated products are protected by applying electrified particles (20,100 µm) of powder paint. The deposited powder layer remains on the surface of the painted detail due to electrostatic forces. Powder coating ensures high tightness of the coating and increased corrosion resistance. The thickness of the painting layer is 60 µm.

## B2B PLATFORM

The friendly and functional DOMAX B2B platform ensures easy and convenient cooperation with our business partners::

- ▶ two ways of browsing the product offer: basic view of the product gallery and advanced view of the list
- ▶ product filters displayed as multiple-choice lists
- ▶ easy access to order history and renewing them
- ▶ preview of all invoices
- ▶ shortened complaint process
- ▶ extensive personalization options: adding and editing shipping addresses, checking the progress in the discount program or creating your own search paths
- ▶ dark mode - a great alternative for people using the Domax B2B service in the evening
- ▶ fully responsive - the platform is fully adapted to mobile devices (smartphones and tablets), thanks to which access to the basket, orders or invoices is always at hand
- ▶ additional functionalities: a tutorial available at any time of using the platform, active notifications that allow you to stay up to date with all promotions and important messages regarding the website





## COMMERCIAL SUPPORT

Our partners receive support commercial and marketing in the form of:

- ▶ assistance with the first and subsequent restockings
- ▶ assistance in preparing a sales display of products
- ▶ cooperation in handling complaints and returns
- ▶ organized promotions and sales
- ▶ product and marketing training
- ▶ permanent trade discounts





**domax** 



# TABLE OF CONTENTS

## WOOD CONNECTORS . . . . . p. 31

## NAILING SCHEMES . . . . . p. 32

## LOADING CAPACITY SCHEMES . . . . . p. 32

## ANGLE BRACKETS . . . . . p. 33

|             |  |       |
|-------------|--|-------|
| <b>KP</b>   | Angle bracket with reinforcement . . . . .                       | p. 33 |
| <b>KPS</b>  | Angle bracket with reinforcement . . . . .                       | p. 36 |
| <b>KPL</b>  | Angle bracket with reinforcement . . . . .                       | p. 37 |
| <b>LBS</b>  | Angle bracket double reinforced . . . . .                        | p. 38 |
| <b>KPK</b>  | Angle bracket with reinforcement . . . . .                       | p. 40 |
| <b>KLR</b>  | Angle bracket 135° . . . . .                                     | p. 41 |
| <b>KL</b>   | Angle bracket . . . . .  | p. 42 |
| <b>KM</b>   | Perforated angle bracket . . . . .                               | p. 44 |
| <b>KMP</b>  | Perforated angle bracket with reinforcement . . . . .            | p. 46 |
| <b>KK</b>   | Anchor angle bracket . . . . .                                   | p. 48 |
| <b>LBZ</b>  | Concrete angle bracket . . . . .                                 | p. 50 |
| <b>KMR</b>  | Perforated adjustable angle bracket . . . . .                    | p. 53 |
| <b>KMRP</b> | Perforated adjustable angle bracket with reinforcement . . . . . | p. 53 |
| <b>KRD</b>  | Adjustable angle bracket . . . . .                               | p. 54 |
| <b>KR</b>   | Adjustable angle bracket . . . . .                               | p. 55 |
| <b>KW</b>   | Narrow angle bracket . . . . .                                   | p. 56 |
| <b>FKW</b>  | Rounded angle bracket . . . . .                                  | p. 58 |
| <b>KB</b>   | Construction angle bracket . . . . .                             | p. 59 |
| <b>KS</b>   | Wide angle bracket . . . . .                                     | p. 60 |
| <b>KSO</b>  | Wide angle bracket . . . . .                                     | p. 60 |
| <b>KSZ</b>  | Wide rounded angle bracket . . . . .                             | p. 61 |
| <b>FKS</b>  | Adjustable angle bracket . . . . .                               | p. 61 |
| <b>LK</b>   | Rafter connector . . . . .                                       | p. 62 |
| <b>LZ</b>   | Z-type connector . . . . .                                       | p. 63 |
| <b>KG</b>   | Folded connector . . . . .                                       | p. 64 |
| <b>OSK</b>  | Decorative angle bracket . . . . .                               | p. 65 |

## FLAT CONNECTORS . . . . . p. 66

|            |                                       |       |
|------------|---------------------------------------|-------|
| <b>PP</b>  | Perforated plate . . . . .            | p. 66 |
| <b>LP</b>  | Flat connector . . . . .              | p. 68 |
| <b>TM</b>  | Fixing tape . . . . .                 | p. 70 |
| <b>LG</b>  | Thick connector . . . . .             | p. 72 |
| <b>FLW</b> | Rounded assembly connector . . . . .  | p. 73 |
| <b>LW</b>  | Narrow flat connector . . . . .       | p. 74 |
| <b>NA</b>  | Corner plate . . . . .                | p. 76 |
| <b>NAO</b> | Decorative corner plate . . . . .     | p. 77 |
| <b>NAS</b> | Corner plate . . . . .                | p. 78 |
| <b>NAD</b> | Decorative corner plate . . . . .     | p. 79 |
| <b>NS</b>  | Chest corner . . . . .                | p. 80 |
| <b>KT</b>  | „T” type connector . . . . .          | p. 82 |
| <b>FKT</b> | Mounting connector type „T” . . . . . | p. 83 |

## JOIST HANGERS . . . . . p. 84

|            |                                |       |
|------------|--------------------------------|-------|
| <b>WB</b>  | Joist hanger . . . . .         | p. 84 |
| <b>WBZ</b> | Joist hanger folded . . . . .  | p. 88 |
| <b>WBD</b> | Joist hanger divided . . . . . | p. 90 |
| <b>WL</b>  | Joist hanger light . . . . .   | p. 91 |

## SPECIAL WOOD CONNECTORS . . . . . p. 92

|            |                                 |       |
|------------|---------------------------------|-------|
| <b>SK</b>  | Construction anchor . . . . .   | p. 92 |
| <b>PD</b>  | Roof batten support . . . . .   | p. 93 |
| <b>KLM</b> | Beam clamp . . . . .            | p. 94 |
| <b>LBO</b> | Circle beam connector . . . . . | p. 95 |

## ELEMENTS for ASSEMBLING GARDEN ARCH. . . . . p. 97

## NAILING SCHEMES . . . . . p. 98

## LOADING CAPACITY SCHEMES . . . . . p. 98

## GROUND-IN POST SUPPORTS . . . . . p. 99

|             |   |        |
|-------------|---|--------|
| <b>PSG</b>  | Drive-in post support . . . . .                       | p. 99  |
| <b>PSGR</b> | Adjustable drive-in post support . . . . .            | p. 100 |
| <b>PWU</b>  | Screw-in post support . . . . .                       | p. 101 |
| <b>PWG</b>  | Screw-in post support (with no accessories) . . . . . | p. 102 |
| <b>PWOM</b> | Horizontal beam mounting lid . . . . .                | p. 104 |
| <b>PWO</b>  | Screw-in post support with spacer . . . . .           | p. 106 |
| <b>PWH</b>  | Adjustable bracket . . . . .                          | p. 107 |
| <b>KR</b>   | Hex flange for PWM . . . . .                          | p. 107 |
| <b>PWM</b>  | Screw-in post support (hexagonal) . . . . .           | p. 108 |
| <b>PWB</b>  | PWM support extension . . . . .                       | p. 109 |
| <b>PWF</b>  | Screw-in post support (square base) . . . . .         | p. 110 |
| <b>PWC</b>  | PWM/PWF post support extension . . . . .              | p. 111 |
| <b>PWT</b>  | Threaded-socket ground screw anchor . . . . .         | p. 116 |
| <b>PWTU</b> | Lifting eye bolt . . . . .                            | p. 117 |
| <b>KRS</b>  | Adjustable bracket . . . . .                          | p. 117 |
| <b>KWZ</b>  | Threaded-socket ground screw anchor . . . . .         | p. 118 |
| <b>PWP</b>  | Screw-in peg . . . . .                                | p. 118 |
| <b>PWA</b>  | Screw-in umbrella support . . . . .                   | p. 119 |
| <b>CTG</b>  | Assembly kit . . . . .                                | p. 119 |
| <b>PWPP</b> | Planetary gear . . . . .                              | p. 120 |
| <b>PWE</b>  | Rod for screw-in post supports . . . . .              | p. 120 |
| <b>PWKT</b> | Hand spanner for round supports . . . . .             | p. 121 |
| <b>PWKU</b> | Adapter for PWU . . . . .                             | p. 121 |
| <b>WD</b>   | PSG drive-in tool . . . . .                           | p. 121 |

## CONCRETE-IN POST SUPPORTS . . . . . p. 125

|                |   |        |
|----------------|---|--------|
| <b>PS</b>      | U-type post support . . . . .             | p. 125 |
| <b>PS 500</b>  | U-type post support (long bar) . . . . .  | p. 128 |
| <b>PS R500</b> | U-type post support (long tube) . . . . . | p. 129 |
| <b>PSZ</b>     | U-type post support . . . . .             | p. 130 |

|                  |                                      |        |
|------------------|--------------------------------------|--------|
| <b>PSL</b>       | U-type post support (light)          | p. 131 |
| <b>PS5</b>       | U-type post support (wide)           | p. 132 |
| <b>PSR500</b>    | U-type post support (long tube)      | p. 133 |
| <b>PS5Z</b>      | U-type post support                  | p. 134 |
| <b>PSF</b>       | F-shaped post support                | p. 134 |
| <b>PSH</b>       | H-shaped post support                | p. 135 |
| <b>PSW</b>       | T-type post support                  | p. 136 |
| <b>PSR500</b>    | Post support (long bar)              | p. 137 |
| <b>PSRU</b>      | Adjustable post support              | p. 138 |
| <b>PSRU 500</b>  | Adjustable post support on thick bar | p. 139 |
| <b>PSRU R500</b> | T-type post support with a long tube | p. 139 |
| <b>PPS</b>       | Post support                         | p. 140 |
| <b>PPSR</b>      | Adjustable threaded post support     | p. 141 |

## SCREW-IN POST SUPPORTS . . . . . p. 142

|               |                                    |        |
|---------------|------------------------------------|--------|
| <b>PR</b>     | Adjustable threaded post support   | p. 142 |
| <b>PSR</b>    | Adjustable threaded post support   | p. 144 |
| <b>PSRP</b>   | Adjustable threaded post support   | p. 146 |
| <b>PSRT</b>   | Adjustable post support            | p. 147 |
| <b>PSP</b>    | Post support with rectangular base | p. 148 |
| <b>PSPD</b>   | Post support                       | p. 150 |
| <b>PSD</b>    | Post support                       | p. 152 |
| <b>PSP DX</b> | Post support open                  | p. 154 |
| <b>PSPW</b>   | Post support                       | p. 156 |
| <b>PSPA</b>   | Post support                       | p. 162 |
| <b>PSPO</b>   | Post support                       | p. 163 |
| <b>PSPOD</b>  | Post support                       | p. 164 |
| <b>PDP</b>    | Screw-in umbrella support          | p. 165 |
| <b>PSPN</b>   | Post support with rectangular base | p. 165 |
| <b>PUW</b>    | Post support                       | p. 166 |
| <b>PMF</b>    | Post support                       | p. 167 |
| <b>PMFU</b>   | Post support                       | p. 168 |
| <b>PSO</b>    | Post support                       | p. 169 |
| <b>PSOZ</b>   | Post support                       | p. 170 |
| <b>PSSOZ</b>  | Post support                       | p. 171 |
| <b>PSK</b>    | Post support                       | p. 172 |
| <b>PST</b>    | TT-shaped post support             | p. 173 |
| <b>PSOL</b>   | Post support                       | p. 174 |
| <b>PSB</b>    | Post support                       | p. 175 |
| <b>PSC</b>    | Post support                       | p. 176 |

## ELEMENTS for ASSEMBLING GARDEN ARCH. . . . . p. 177

|               |                                  |        |
|---------------|----------------------------------|--------|
| <b>DK/DKK</b> | Post cap                         | p. 177 |
| <b>OP</b>     | L- bracket                       | p. 178 |
| <b>SEK</b>    | Connector for firewood stand     | p. 179 |
| <b>GPLN</b>   | Pergola corner connector         | p. 180 |
| <b>GPLP</b>   | Pergola crossbeam connector      | p. 180 |
| <b>GPPS</b>   | Pergola post support             | p. 181 |
| <b>SD</b>     | Decorative SD wood connectors    | p. 182 |
| <b>GHKO</b>   | Circle beam connector            | p. 184 |
| <b>GHMK</b>   | Sqare beam connectors            | p. 185 |
| <b>GHLS</b>   | Wall beam connector              | p. 185 |
| <b>GHSK</b>   | Square beam wall connecto        | p. 186 |
| <b>GHSO</b>   | Circle beam wall connector       | p. 186 |
| <b>GHVK</b>   | Square beam connector            | p. 187 |
| <b>GHVO</b>   | Circle beam connector            | p. 187 |
| <b>GHZ</b>    | Screw plug                       | p. 188 |
| <b>GHS</b>    | Plastic seats                    | p. 189 |
| <b>MH</b>     | Swing hangers, universal hangers | p. 190 |

## GARDEN FITTINGS, HINGES & LATCHES . . . . . p. 195

### BRAIDED HINGES . . . . . p. 196

|            |                             |        |
|------------|-----------------------------|--------|
| <b>Z</b>   | Butt hinge                  | p. 196 |
| <b>Z5</b>  | Braided hinge               | p. 198 |
| <b>Z55</b> | Braided hinge with a spring | p. 199 |
| <b>ZMS</b> | Lift-off hinge              | p. 200 |
| <b>ZO</b>  | Decorative hinge            | p. 201 |
| <b>ZF</b>  | French hinge                | p. 202 |
| <b>ZOF</b> | Decorative French hinge     | p. 203 |
| <b>ZTS</b> | Braided triangular hinge    | p. 204 |
| <b>ZD</b>  | Ladder hinge                | p. 205 |

### GATE HINGES . . . . . p. 25

|             |                         |        |
|-------------|-------------------------|--------|
| <b>ZT</b>   | Gate hinge              | p. 206 |
| <b>ZB</b>   | Gate hinge              | p. 207 |
| <b>ZBW</b>  | Gate hinge              | p. 208 |
| <b>ZBL</b>  | Gate hinge              | p. 209 |
| <b>ZBP</b>  | Strap gate hinge        | p. 210 |
| <b>ZBO</b>  | Decorative gate hinge   | p. 211 |
| <b>ZOB</b>  | Decorative gate hinge   | p. 212 |
| <b>ZTO</b>  | Decorative tee hinge    | p. 213 |
| <b>ZBNO</b> | Decorative gate hinge   | p. 214 |
| <b>ZOK</b>  | Decorative gate hinge   | p. 214 |
| <b>ZBC</b>  | Self-closing gate hinge | p. 215 |
| <b>ZBS</b>  | Gate hinge              | p. 215 |
| <b>ZNW</b>  | Corner hinge kit        | p. 216 |

### STRAP HINGES . . . . . p. 217

|            |                       |        |
|------------|-----------------------|--------|
| <b>ZR</b>  | T-type hinge          | p. 217 |
| <b>ZN</b>  | Corner hinge          | p. 217 |
| <b>ZNO</b> | Corner hinge          | p. 218 |
| <b>ZRO</b> | T-type hinge          | p. 219 |
| <b>ZP</b>  | Strap hinge           | p. 220 |
| <b>ZPK</b> | Cranked strap hinge   | p. 222 |
| <b>C</b>   | Hinge pin             | p. 224 |
| <b>UCO</b> | Decorative hinge pin  | p. 225 |
| <b>CM</b>  | Concrete-in hinge pin | p. 226 |
| <b>CW</b>  | Screw-in hinge pin    | p. 226 |

### ADJUSTABLE HINGES . . . . . p. 227

|               |                              |        |
|---------------|------------------------------|--------|
| <b>ZRDP</b>   | Adjustable hinge with plate  | p. 227 |
| <b>ZRM</b>    | Concrete-in adjustable hinge | p. 227 |
| <b>ZRS</b>    | Weldable, adjustable hinge   | p. 228 |
| <b>ZRW 16</b> | Multi adjustable hinge       | p. 229 |
| <b>ZRW 20</b> | Multi adjustable hinge       | p. 229 |

### WELDING HINGES . . . . . p. 230

|             |                              |        |
|-------------|------------------------------|--------|
| <b>ZTK</b>  | Weldable hinge with the ball | p. 230 |
| <b>ZASK</b> | Weldable hinge               | p. 230 |
| <b>ZMP</b>  | Weldable lift-off hinge      | p. 231 |
| <b>ZMD</b>  | Lift-off hinge               | p. 231 |
| <b>ZRB</b>  | Weldable, adjustable hinge   | p. 232 |
| <b>ZMC</b>  | Construction hinge           | p. 232 |



## HASPS . . . . . p. 233

|             |  |        |
|-------------|--|--------|
| <b>ZZBR</b> | Chest hinge with lock . . . . .                | p. 233 |
| <b>ZZB</b>  | Strap gate hinge with lock . . . . .           | p. 233 |
| <b>ZZK</b>  | Hinge with lock . . . . .                      | p. 234 |
| <b>ZZP</b>  | Hinge with lock . . . . .                      | p. 235 |
| <b>ZBZ</b>  | Decorative gate hinge with lock . . . . .      | p. 236 |
| <b>ZOZ</b>  | Decorative hinge with lock . . . . .           | p. 237 |
| <b>ZWD</b>  | Hasp with staple made of rolled wire . . . . . | p. 238 |
| <b>ZWK</b>  | Security closing hasp . . . . .                | p. 238 |
| <b>ZWP</b>  | Security closing hasp . . . . .                | p. 239 |
| <b>ZWPO</b> | Security closing hasp . . . . .                | p. 239 |

## LATCHES . . . . . p. 240

|             |   |        |
|-------------|---|--------|
| <b>W</b>    | Door bolt . . . . .                         | p. 240 |
| <b>WZTW</b> | Box bolt . . . . .                          | p. 241 |
| <b>WZP</b>  | Closing door bolt . . . . .                 | p. 242 |
| <b>WZW</b>  | Closing door bolt . . . . .                 | p. 243 |
| <b>WRO</b>  | Decorative tower bolt . . . . .             | p. 244 |
| <b>WZD</b>  | Latch with a flat bolt . . . . .            | p. 245 |
| <b>WOS</b>  | Decorative tower bolt . . . . .             | p. 246 |
| <b>WPS</b>  | Decorative latch with a flat bolt . . . . . | p. 247 |
| <b>WOK</b>  | Gate latch . . . . .                        | p. 248 |
| <b>WHS</b>  | Door lock with numeric code (set) . . . . . | p. 249 |
| <b>WZF</b>  | Furniture latch (set) . . . . .             | p. 249 |

## GATE LATCHES . . . . . p. 250

|             |   |        |
|-------------|---|--------|
| <b>WCW</b>  | Heavy decorative latch . . . . .            | p. 250 |
| <b>WCZ</b>  | Heavy duty tower bolt . . . . .             | p. 251 |
| <b>WZK</b>  | Gate latch INOX . . . . .                   | p. 252 |
| <b>WHK</b>  | Closure – key lock . . . . .                | p. 252 |
| <b>WHG</b>  | Self-locking latch . . . . .                | p. 254 |
| <b>WOG</b>  | Garden latch . . . . .                      | p. 255 |
| <b>WOGO</b> | Garden latch . . . . .                      | p. 255 |
| <b>WZO</b>  | Latch . . . . .                             | p. 256 |
| <b>WBR</b>  | Gate latch . . . . .                        | p. 256 |
| <b>WHF</b>  | Spring for closing the gate (set) . . . . . | p. 257 |
| <b>WHD</b>  | Garden door closer (set) . . . . .          | p. 257 |

## BOLTS . . . . . p. 258

|            |   |        |
|------------|---|--------|
| <b>WRG</b> | Tower bolt . . . . .                        | p. 258 |
| <b>WOT</b> | Gate bolt . . . . .                         | p. 258 |
| <b>WSP</b> | Pull spring bolt with wooden grip . . . . . | p. 259 |
| <b>WRU</b> | Tower drop bolt . . . . .                   | p. 260 |
| <b>WRB</b> | Tower drop bolt . . . . .                   | p. 260 |
| <b>WRZ</b> | Tower drop bolt . . . . .                   | p. 261 |

## HOOKS . . . . . p. 262

|            |                      |        |
|------------|----------------------|--------|
| <b>ZHK</b> | Hook lock . . . . .  | p. 262 |
| <b>ZHP</b> | Hook lock . . . . .  | p. 263 |
| <b>ZSK</b> | Chest lock . . . . . | p. 264 |
| <b>SP</b>  | Hasp . . . . .       | p. 264 |

## GATE STOPPERS . . . . . p. 266

|               |                                    |        |
|---------------|------------------------------------|--------|
| <b>ST</b>     | Gate bracket . . . . .             | p. 266 |
| <b>SBR</b>    | Gate bolt . . . . .                | p. 266 |
| <b>SBK</b>    | Gate wheel . . . . .               | p. 267 |
| <b>SBO</b>    | Screw-in gate stopper . . . . .    | p. 268 |
| <b>SB 90</b>  | In-concrete gate stopper . . . . . | p. 268 |
| <b>SB 160</b> | Screw-in gate stopper . . . . .    | p. 269 |

## HANDLES ■ DOOR HANDLES | ■ DOOR LOCKS . . . . . p. 270

|             |                                       |        |
|-------------|---------------------------------------|--------|
| <b>UF</b>   | Flag holder . . . . .                 | p. 270 |
| <b>US</b>   | Box handle . . . . .                  | p. 270 |
| <b>UN</b>   | Universal handle . . . . .            | p. 271 |
| <b>UNB</b>  | Handle . . . . .                      | p. 271 |
| <b>UNR</b>  | Handle . . . . .                      | p. 272 |
| <b>UZD</b>  | Decorative handle . . . . .           | p. 272 |
| <b>UZR</b>  | Decorative handle . . . . .           | p. 273 |
| <b>WHA</b>  | Handle with a hole (set) . . . . .    | p. 274 |
| <b>WHB</b>  | Handle without a hole (set) . . . . . | p. 274 |
| <b>WHU</b>  | Ratchet lock (set) . . . . .          | p. 276 |
| <b>WHUP</b> | Mortise lock case . . . . .           | p. 276 |
| <b>WHZ</b>  | Ratchet lock (set) . . . . .          | p. 277 |
| <b>WHO</b>  | Ratchet lock . . . . .                | p. 278 |
| <b>WHW</b>  | Rural door lock (set) . . . . .       | p. 278 |

## HARDENED SCREWS, BOLTS, NAILS . . . . . p. 281

### CERTIFICATION AND QUALITY CONTROL . . . . . p. 282

### HARDENED SCREWS . . . . . p. 284

|            |  |        |
|------------|--|--------|
| <b>CS</b>  | Construction screw with flat head . . . . .                      | p. 284 |
| <b>PTS</b> | Turned conical washer . . . . .                                  | p. 289 |
| <b>CT</b>  | Construction screw with wafer head . . . . .                     | p. 290 |
| <b>CPS</b> | Full threaded screw with flat head . . . . .                     | p. 294 |
| <b>CPW</b> | Full threaded screw with cylindrical head . . . . .              | p. 296 |
| <b>WKT</b> | Double threaded insulation screw with wafer head . . . . .       | p. 298 |
| <b>SW</b>  | Screwdriving template angle 45°/67° . . . . .                    | p. 298 |
| <b>WKW</b> | Double threaded insulation screw with cylindrical head . . . . . | p. 300 |
| <b>WDS</b> | Distance screw with flat head . . . . .                          | p. 302 |
| <b>GS</b>  | Aerated concrete screw with flat head . . . . .                  | p. 304 |
| <b>GT</b>  | Aerated concrete screw with wafer head . . . . .                 | p. 306 |
| <b>CBW</b> | Frame screw with cylindrical head . . . . .                      | p. 308 |
| <b>CBS</b> | Frame screw with flat head . . . . .                             | p. 309 |

### SCREWS ■ ANCHORS ■ NAILS . . . . . p. 310

|            |  |        |
|------------|--|--------|
| <b>PBW</b> | Concrete screw with hex head . . . . . | p. 310 |
| <b>PBK</b> | Bolt anchor . . . . .                  | p. 312 |
| <b>ANG</b> | ANCHOR carpentry nail . . . . .        | p. 314 |

### CONNECTORS for GARDEN ARCHITECTURE . . . . . p. 316

|             |   |        |
|-------------|---|--------|
| <b>CTO</b>  | Garden architecture screw . . . . .               | p. 316 |
| <b>ANW</b>  | ANCHOR carpentry screw Torx socket . . . . .      | p. 317 |
| <b>PWD</b>  | Wood screw . . . . .                              | p. 318 |
| <b>PNP</b>  | Threaded rod with nuts for post support . . . . . | p. 319 |
| <b>ZACB</b> | Carriage bolt . . . . .                           | p. 320 |
| <b>ZAS</b>  | Wood screw . . . . .                              | p. 321 |
| <b>SDCS</b> | Wood screw . . . . .                              | p. 322 |
| <b>BIT</b>  | TORX bit . . . . .                                | p. 323 |

ANGLE BRACKETS



**KP** p. 33



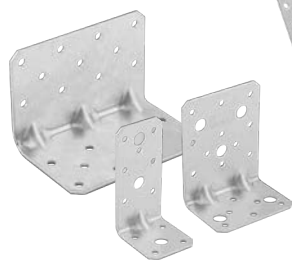
**KPS** p. 36



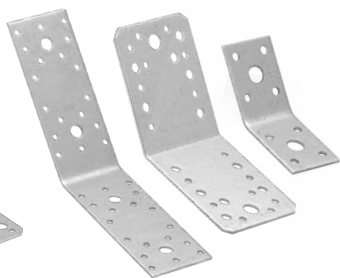
**KPL** p. 37



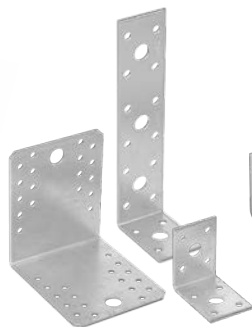
**LBS** p. 38



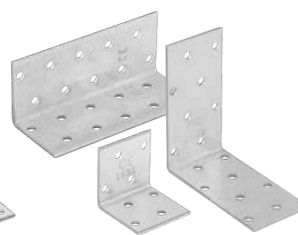
**KPK** p. 40



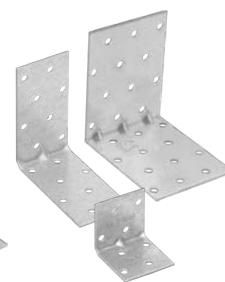
**KLR** p. 41



**KL** p. 42



**KM** p. 44



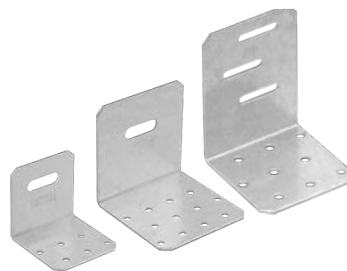
**KMP** p. 46



**KK** p. 48



**LBZ** p. 50



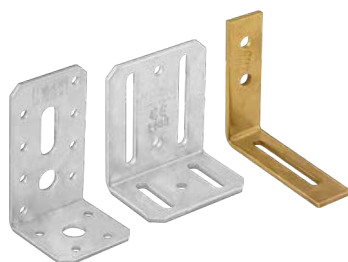
**KMR** p. 53



**KMRP** p. 53



**KRD** p. 54



**KR** p. 55



**KW** p. 56



**FKW** p. 58



**KB** p. 59



**KS** p. 60



**KSO** p. 60



**KSZ** p. 61



**FKS** p. 61

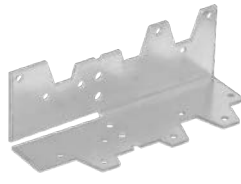




**LK** p. 62



**LZ** p. 63

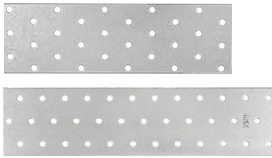


**KG** p. 64

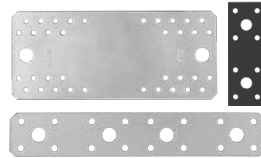


**OSK** p. 65

## FLAT CONNECTORS



**PP** p. 66



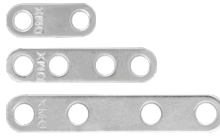
**LP** p. 68



**TM** p. 70



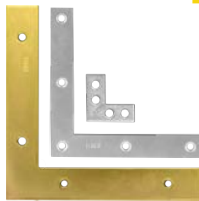
**LG** p. 72



**FLW** p. 73



**LW** p. 74



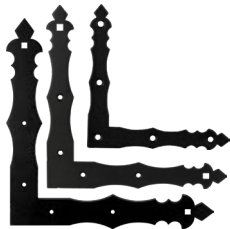
**NA** p. 76



**NAO** p. 77



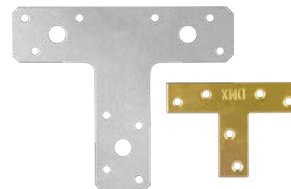
**NAS** p. 78



**NAD** p. 79



**NS** p. 80



**KT** p. 82



**FKT** p. 83

## JOIST HANGERS



**WB** p. 83



**WBZ** p. 88



**WBD** p. 90



**WL** p. 91



**SK** p. 92



**PD** p. 93



**KLM** p. 94

## SPECIAL WOOD CONNECTORS



**LBO** p. 95

GROUND-IN POST SUPPORTS



**PSG** p. 99



**PSGR** p. 100



**PWU** p. 101



**PWG** p. 102



**PWOM** p. 104



**PWO** p. 106



**PWH** p. 107



**KR** p. 107



**PWM** p. 108



**PWB** p. 109



**PWF** p. 110



**PWC** p. 111



**PWT** p. 116



**PWTU** p. 117



**KRS** p. 117



**KWZ** p. 118



**PWP** p. 118



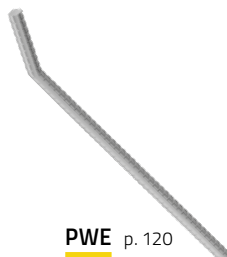
**PWA** p. 119



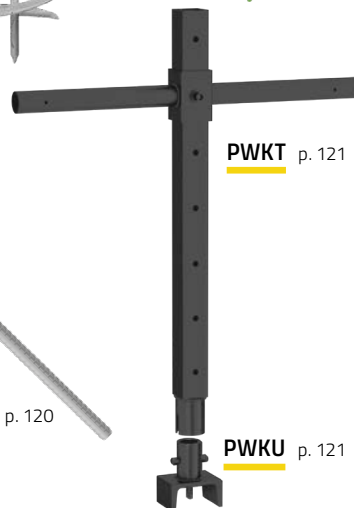
**CTG** p. 119



**PWPP** p. 120



**PWE** p. 120



**PWKT** p. 121

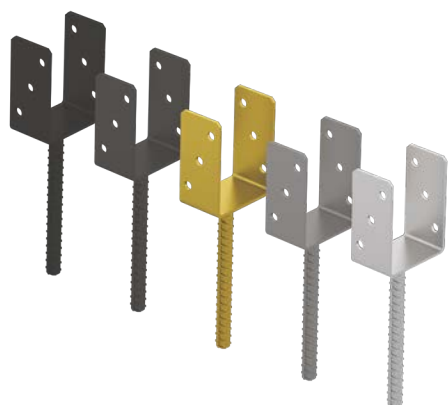
**PWKU** p. 121



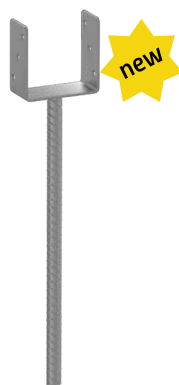
**WD** p. 121



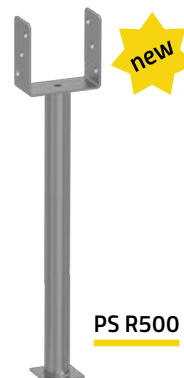
## CONCRETE-IN POST SUPPORTS



**PS** p. 125



**PS 500** p. 128



**PS R500** p. 129



**PSZ** p. 130



**PSL** p. 131



**PSS** p. 132



**PSS R500** p. 133



**PSSZ** p. 134



**PSF** p. 134



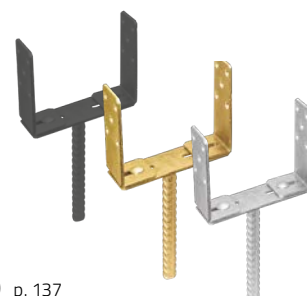
**PSH** p. 135



**PSW** p. 136



**PSW R500** p. 137



**PSRU** p. 138



**PSRU 500** p. 139



**PSRU R500** p. 139



**PPS** p. 140

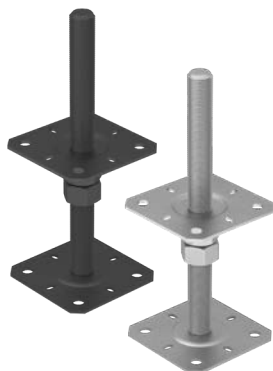


**PPSR** p. 141

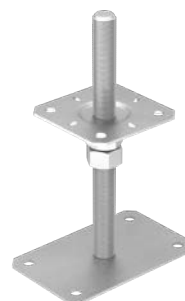
# SCREW-IN POST SUPPORTS



**PR** p. 142



**PSR** p. 144



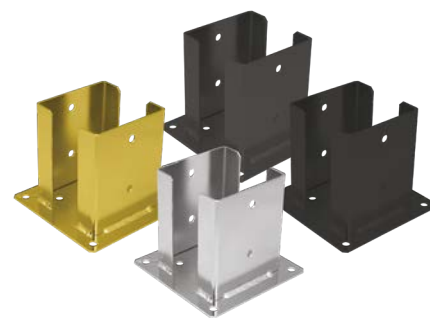
**PSRP** p. 146



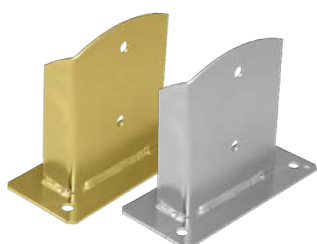
**PSRT** p. 147



**PSP** p. 148



**PSPD** p. 150



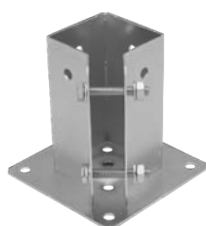
**PSD** p. 152



**PSP DX** p. 154



**PSPW** p. 156



**PSPA** p. 162



**PSPO** p. 163



**PSPOD** p. 164



**PDP** p. 165



## SCREW-IN POST SUPPORTS



**PSPN** p. 165



**PUW** p. 166



**PMF** p. 167



**PMFU** p. 168



**PSO** p. 169



**PSOZ** p. 170



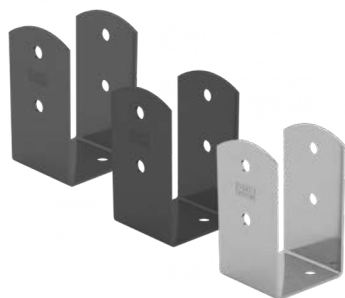
**PSSOZ** p. 171



**PSK** p. 172



**PST** p. 173



**PSOL** p. 174



**PSB** p. 175



**PSC** p. 176

# ELEMENTS for ASSEMBLING GARDEN ARCHITECTURE



**DKK** p. 177



**OP** p. 178



**SEK** p. 179



**GPLN** p. 180



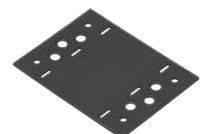
**GPLP** p. 180



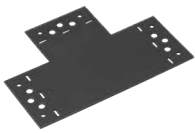
**GPPS** p. 181



**SDD 85B** p. 182



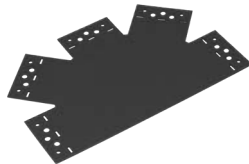
**SDLPA** p. 182



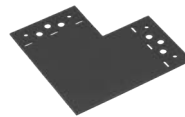
**SDLPB 1** p. 182



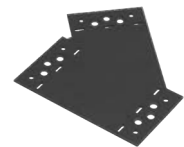
**SDLZ 1** p. 183



**SDLPC 1** p. 183



**SDLPD 1** p. 183



**SDLPE/F 1** p. 183







**GHKO** p. 184



**GHMK** p. 185



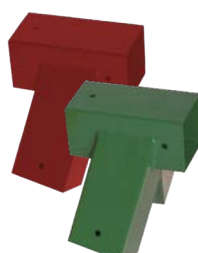
**GHLS** p. 185



**GHSK** p. 186



**GHSO** p. 186



**GHVK** p. 187



**GHVO** p. 187



**GHZ** p. 188



**GHS** p. 189



**MHA** p. 190



**MHB** p. 190



**MHC** p. 190



**MHD** p. 190



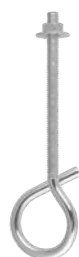
**MHUM** p. 191



**MHK** p. 191



**MHO** p. 191



**MHM** p. 192

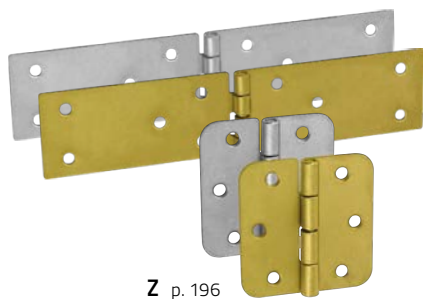


**MHUW** p. 192



**MHW** p. 192

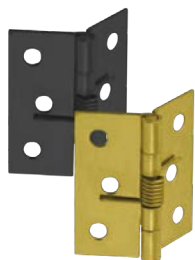
BRAIDED HINGES



Z p. 196



ZS p. 198



ZSS p. 199



ZMS p. 200



ZO p. 201



ZF p. 202



ZOF p. 203

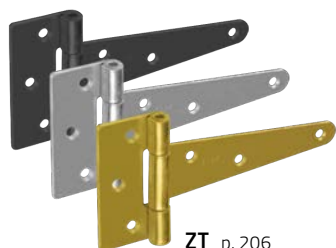


ZTS p. 204

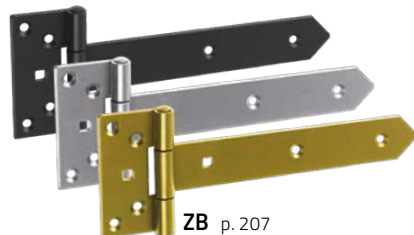


ZD p. 205

GATE HINGES



ZT p. 206



ZB p. 207



ZBW p. 208



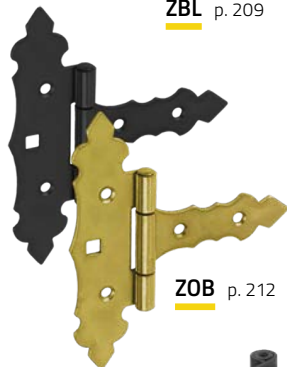
ZBL p. 209



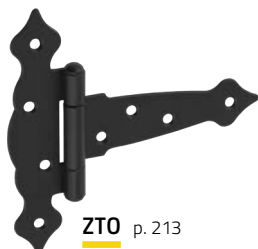
ZBP p. 210



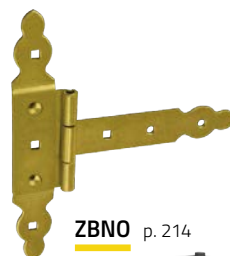
ZBO p. 211



ZOB p. 212



ZTO p. 213



ZBNO p. 214



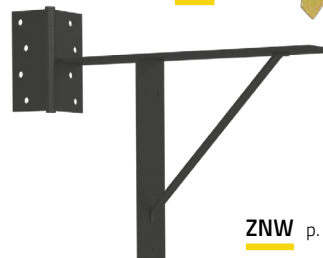
ZOK p. 214



ZBC p. 215

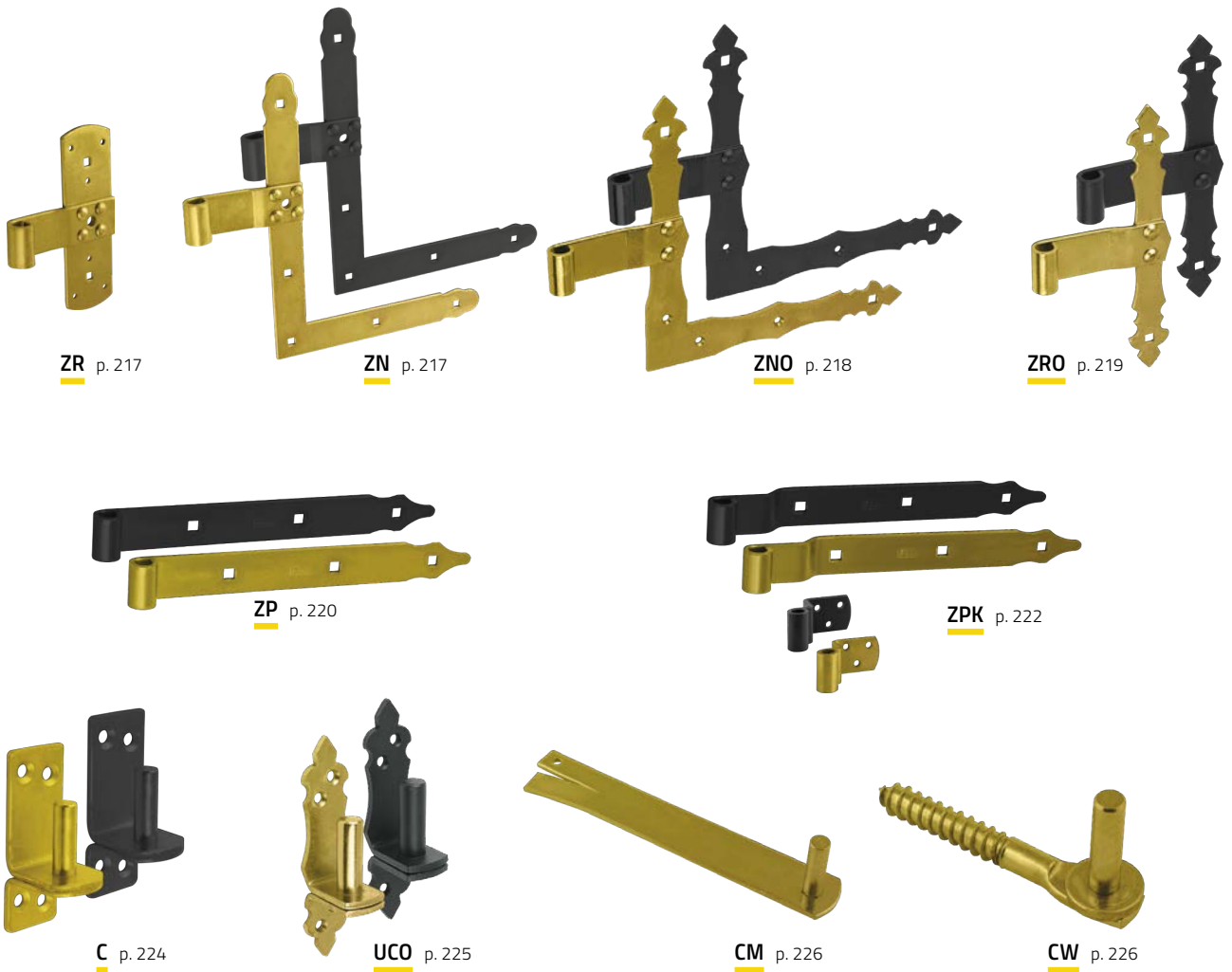


ZBS p. 215

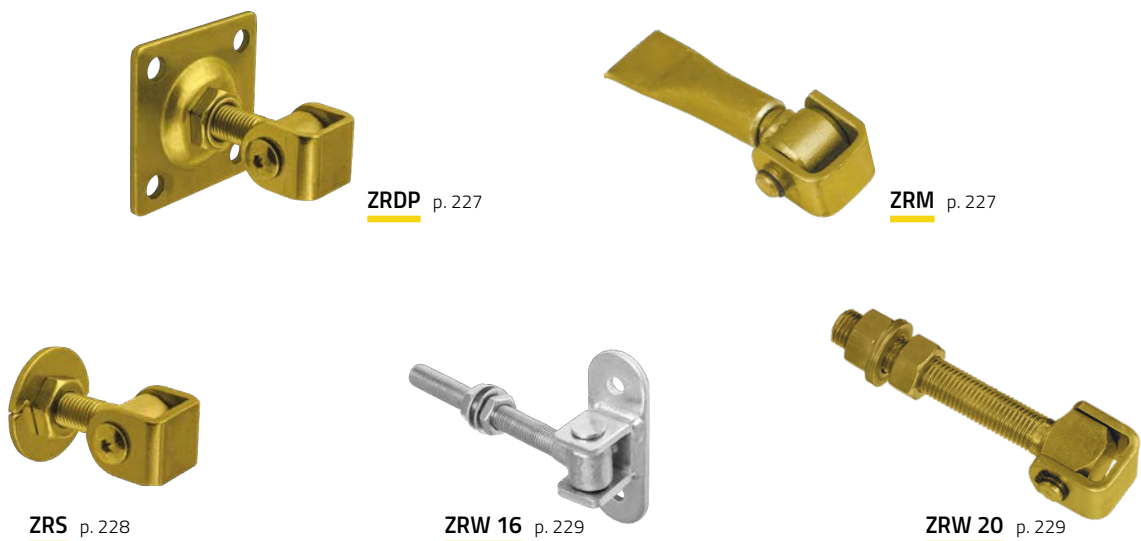


ZNW p. 216

## STRAP HINGES



## ADJUSTABLE HINGES





WELDING HINGES



**ZTK** p. 230



**ZASK** p. 230



**ZMP** p. 231



**ZMD** p. 231

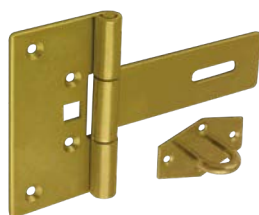


**ZRB** p. 232



**ZMC** p. 232

HASPS



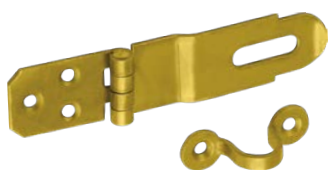
**ZZBR** p. 233



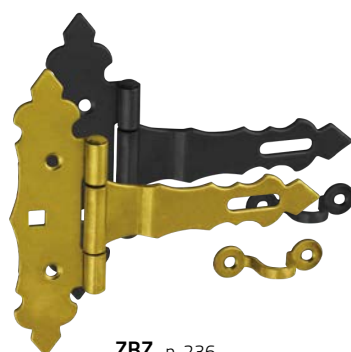
**ZZB** p. 233



**ZZK** p. 234



**ZZP** p. 235



**ZBZ** p. 236



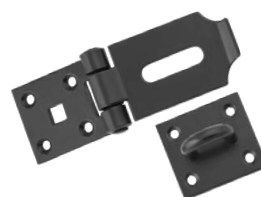
**Z0Z** p. 237



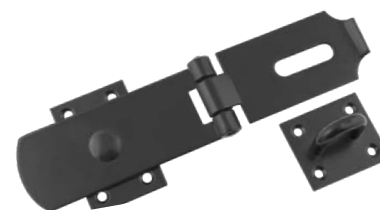
**ZWD** p. 238



**ZWK** p. 238

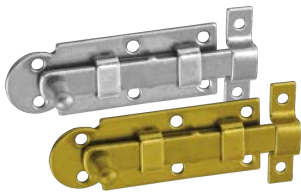


**ZWP** p. 239



**ZWPO** p. 239

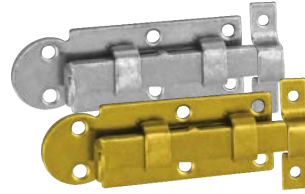
## LATCHES



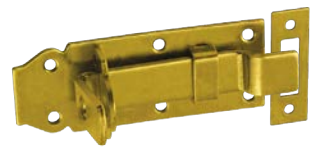
**W** p. 240



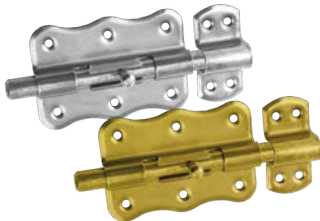
**WZTW** p. 241



**WZP** p. 242



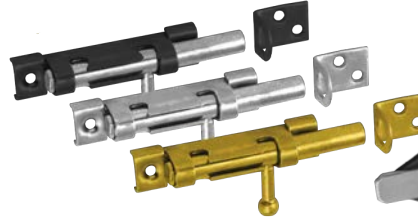
**WZW** p. 243



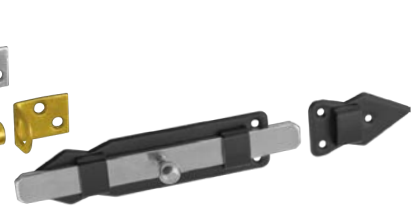
**WRO** p. 244



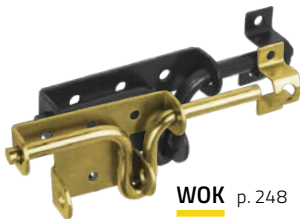
**WZD** p. 245



**WOS** p. 246



**WPS** p. 247



**WOK** p. 248



**WHS** p. 249

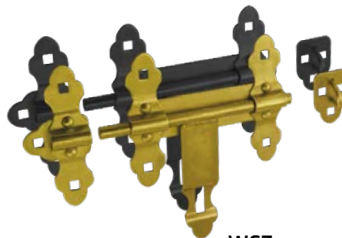


**WZF** p. 249

## GATE LATCHES



**WCW** p. 250



**WCZ** p. 251



**WZK** p. 252



**WHK** p. 252



**WHG** p. 254



**WOG** p. 255



**WOGO** p. 255



**WZO** p. 256



**WBR** p. 256



**WHF** p. 257



**WHD** p. 257

BOLTS



**WRG** p. 258



**WOT** p. 258



**WSP** p. 259



**WRU** p. 260



**WRB** p. 260



**WRZ** p. 261

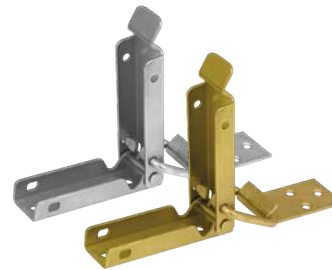
HOOKS



**ZHK** p. 262



**ZHP** p. 263



**ZSK** p. 264



**SP** p. 264

GATE STOPPERS



**ST** p. 266



**SBR** p. 266



**SBK** p. 267



**SBO** p. 268



**SB 90** p. 268



**SB 160** p. 269



## HANDLES ■ DOOR HANDLES ■ DOOR LOCKS



**UF** p. 270



**US** p. 270



**UN** p. 271



**UNB** p. 271



**UNR** p. 272



**UZD** p. 272



**UZR** p. 273



**WHA** p. 274



**WHB** p. 274



**WHU** p. 276



**WHUP** p. 276



**WHZ** p. 277



**WHO** p. 278



**WHW** p. 278

HARDENED SCREWS

**CS** p. 284



**CT** p. 290



**CPS** p. 294



**CPW** p. 296



**WKT** p. 298



**WKW** p. 300



**PTS** p. 289



**WDS** p. 302



**GS** p. 304



**GT** p. 306



**SW** p. 329

**CBW** p. 308



**CBS** p. 309



**BIT** p. 323



SCREWS ■ KNCHORS ■ NAILS

**PBW** p. 310



**PBK** p. 312

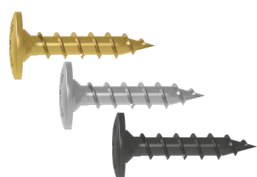


**ANG** p. 314

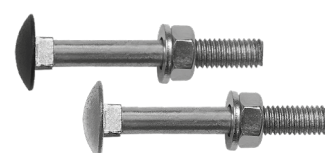


CONNECTORS for GARDEN ARCHITECTURE

**CTO** p. 316



**ZACB** p. 320



**ANW** p. 317



**ZAS** p. 321



**PWD** p. 318



**SDCS** p. 322



**PNP** p. 319





|      |       |      |       |           |       |
|------|-------|------|-------|-----------|-------|
| ANG  | p.314 | KPK  | p.40  | PP        | p.66  |
| ANW  | p.317 | KPL  | p.37  | PPS       | p.140 |
| BIT  | p.323 | KPS  | p.36  | PPSR      | p.141 |
| C    | p.224 | KR   | p.55  | PR        | p.142 |
| CBS  | p.309 | KR 8 | p.107 | PS        | p.33  |
| CBW  | p.308 | KRD  | p.54  | PS 500    | p.128 |
| CM   | p.226 | KRS  | p.117 | PSB       | p.175 |
| CPS  | p.294 | KS   | p.60  | PSC       | p.176 |
| CPW  | p.296 | KSO  | p.60  | PSD       | p.152 |
| CS   | p.284 | KSZ  | p.61  | PSF       | p.134 |
| CT   | p.290 | KT   | p.82  | PSG       | p.99  |
| CTG  | p.119 | KW   | p.56  | PSGR      | p.100 |
| CTO  | p.316 | KWZ  | p.118 | PSH       | p.135 |
| CW   | p.226 | LBO  | p.95  | PSK       | p.172 |
| DK   | p.177 | LBS  | p.38  | PSL       | p.131 |
| DKK  | p.177 | LBZ  | p.50  | PSO       | p.169 |
| FKS  | p.61  | LG   | p.72  | PSOL      | p.174 |
| FKT  | p.83  | LK   | p.62  | PSOZ      | p.170 |
| FKW  | p.58  | LP   | p.68  | PSP       | p.148 |
| FLW  | p.73  | LW   | p.74  | PSPA      | p.162 |
| GHKO | p.184 | LZ   | p.63  | PSP DX    | p.154 |
| GHLS | p.185 | MHA  | p.190 | PSPD      | p.150 |
| GHMK | p.185 | MHB  | p.190 | PSPN      | p.165 |
| GHS  | p.135 | MHC  | p.190 | PSPO      | p.163 |
| GHSK | p.186 | MHD  | p.190 | PSPOD     | p.164 |
| GHSO | p.186 | MHK  | p.191 | PSPW      | p.156 |
| GHVK | p.187 | MHM  | p.192 | PS R500   | p.129 |
| GHVO | p.187 | MHO  | p.191 | PSR       | p.144 |
| GHZ  | p.188 | MHUM | p.191 | PSRP      | p.146 |
| GPLN | p.180 | MHUW | p.192 | PSRT      | p.147 |
| GPLP | p.180 | MHW  | p.192 | PSRU      | p.138 |
| GPPS | p.181 | NA   | p.76  | PSRU 500  | p.139 |
| GS   | p.304 | NAD  | p.79  | PSRU R500 | p.139 |
| GT   | p.306 | NAO  | p.77  | PSS       | p.132 |
| KB   | p.59  | NAS  | p.78  | PSSOZ     | p.171 |
| KG   | p.64  | NS   | p.80  | PSS R500  | p.133 |
| KK   | p.48  | OP   | p.178 | PSSZ      | p.134 |
| KL   | p.42  | OSK  | p.64  | PST       | p.173 |
| KLM  | p.94  | PBK  | p.312 | PSW       | p.136 |
| KLR  | p.41  | PBW  | p.310 | PSW R500  | p.137 |
| KM   | p.44  | PD   | p.93  | PSZ       | p.130 |
| KMP  | p.46  | PDP  | p.165 | PTS       | p.289 |
| KMRP | p.53  | PMF  | p.167 | PUW       | p.166 |
| KP   | p.33  | PMFU | p.168 | PWA       | p.119 |
| KP   | p.33  | PNP  | p.319 | PWB       | p.109 |

|        |        |      |        |        |        |
|--------|--------|------|--------|--------|--------|
| PWC    | p. 111 | WDS  | p. 302 | ZBS    | p. 215 |
| PWD    | p. 318 | WHA  | p. 274 | ZBW    | p. 208 |
| PWE    | p. 120 | WHB  | p. 274 | ZBZ    | p. 236 |
| PWF    | p. 110 | WHD  | p. 257 | ZD     | p. 205 |
| PWG    | p. 102 | WHF  | p. 257 | ZF     | p. 202 |
| PWH    | p. 107 | WHG  | p. 254 | ZHK    | p. 262 |
| PWKT   | p. 121 | WHK  | p. 252 | ZHP    | p. 263 |
| PWKU   | p. 121 | WHO  | p. 278 | ZMC    | p. 232 |
| PWM    | p. 108 | WHS  | p. 249 | ZMD    | p. 231 |
| PWO    | p. 106 | WHU  | p. 276 | ZMP    | p. 231 |
| PWOM   | p. 104 | WHUP | p. 276 | ZMS    | p. 200 |
| PWP    | p. 118 | WHW  | p. 278 | ZN     | p. 217 |
| PWPP   | p. 120 | WHZ  | p. 277 | ZNO    | p. 218 |
| PWT    | p. 116 | WKT  | p. 298 | ZNW    | p. 216 |
| PWTU   | p. 117 | WKW  | p. 300 | ZO     | p. 201 |
| PWU    | p. 101 | WL   | p. 91  | ZOB    | p. 212 |
| SB 90  | p. 268 | WOG  | p. 255 | ZOF    | p. 203 |
| SB 160 | p. 269 | WOGO | p. 255 | ZOK    | p. 214 |
| SBK    | p. 267 | WOK  | p. 248 | ZOZ    | p. 237 |
| SBO    | p. 268 | WOS  | p. 246 | ZP     | p. 220 |
| SBR    | p. 266 | WOT  | p. 258 | ZPK    | p. 222 |
| SD     | p. 182 | WPS  | p. 247 | ZR     | p. 217 |
| SDCS   | p. 322 | WRB  | p. 260 | ZRB    | p. 232 |
| SEK    | p. 179 | WRG  | p. 258 | ZRDP   | p. 227 |
| SK     | p. 92  | WRO  | p. 244 | ZRM    | p. 227 |
| SP     | p. 264 | WRU  | p. 260 | ZRO    | p. 219 |
| ST     | p. 266 | WRZ  | p. 260 | ZRS    | p. 228 |
| SW     | p. 299 | WSP  | p. 259 | ZRW 16 | p. 229 |
| TM     | p. 70  | WZD  | p. 245 | ZRW 20 | p. 229 |
| UCO    | p. 225 | WZF  | p. 249 | ZS     | p. 198 |
| UF     | p. 270 | WZK  | p. 252 | ZSK    | p. 264 |
| UN     | p. 271 | WZO  | p. 256 | ZSS    | p. 199 |
| UNB    | p. 271 | WZP  | p. 242 | ZT     | p. 206 |
| UNR    | p. 272 | WZTW | p. 241 | ZTK    | p. 230 |
| US     | p. 270 | WZW  | p. 243 | ZTO    | p. 213 |
| UZD    | p. 272 | Z    | p. 196 | ZTS    | p. 204 |
| UZR    | p. 273 | ZACB | p. 320 | ZWD    | p. 238 |
| W      | p. 240 | ZAS  | p. 321 | ZWK    | p. 238 |
| WB     | p. 84  | ZASK | p. 230 | ZWP    | p. 239 |
| WBD    | p. 90  | ZB   | p. 207 | ZWPO   | p. 239 |
| WBR    | p. 256 | ZBC  | p. 215 | ZZB    | p. 233 |
| WBZ    | p. 88  | ZBL  | p. 209 | ZZBR   | p. 233 |
| WCW    | p. 250 | ZBNO | p. 214 | ZZK    | p. 234 |
| WCZ    | p. 251 | ZBO  | p. 211 | ZZP    | p. 235 |
| WD     | p. 121 | ZBP  | p. 210 |        |        |









GARDEN FITTINGS  
**HINGES & LATCHES**

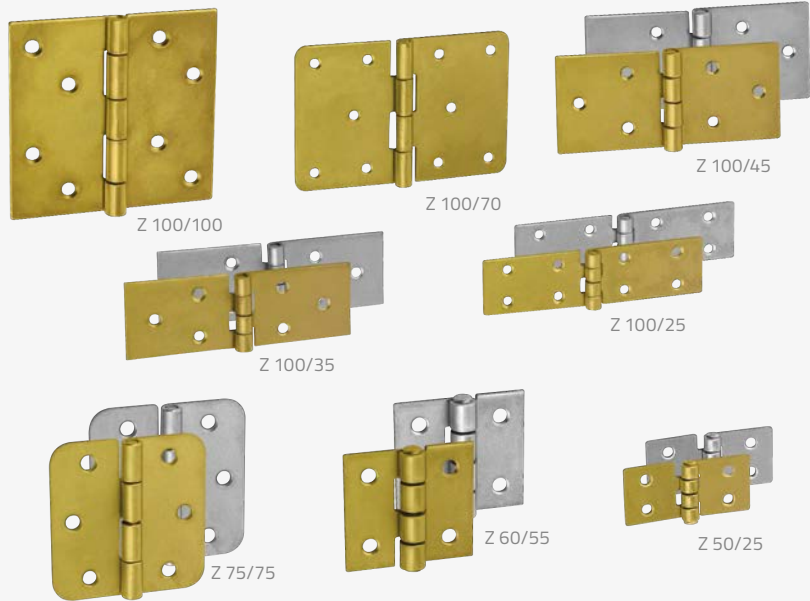
Z

Butt hinge

**Application** The basic model of a construction hinge. It is suitable for use in all places where a movable connection is required, e.g. at chest lids or cupboard doors.

**Material** DC01 + yellow galvanization; DC01 + silver galvanization.

**Mounting** Wood screws  $\phi 4$ ,  $\phi 4.5$ ,  $\phi 5$ ,  $\phi 5.5$ ,  $\phi 6$ ; carriage bolts M6.



| name      | coat. | art no. | dimensions [mm] |     |     | holes [mm] |      |    |      |    |    | weight [g] | pack [pcs] |
|-----------|-------|---------|-----------------|-----|-----|------------|------|----|------|----|----|------------|------------|
|           |       |         | a               | b   | ≠   | ø4         | ø4.5 | ø5 | ø5,5 | ø6 | □7 |            |            |
| Z 50/25   | ●     | 8021    | 50              | 25  | 1,5 | 4          | -    | -  | -    | -  | -  | 20         | 20         |
|           | ●     | 80214   | 50              | 25  | 1,5 | 4          | -    | -  | -    | -  | -  | 20         | 20         |
| Z 60/55   | ●     | 8022    | 60              | 55  | 2,5 | -          | -    | -  | -    | 4  | -  | 88         | 20         |
|           | ●     | 80224   | 60              | 55  | 2,5 | -          | -    | -  | -    | 4  | -  | 88         | 20         |
| Z 75/75   | ●     | 8020    | 75              | 75  | 1,8 | -          | -    | -  | 6    | -  | -  | 93         | 20         |
|           | ●     | 80204   | 75              | 75  | 1,8 | -          | -    | -  | 6    | -  | -  | 93         | 20         |
| Z 100/25  | ●     | 8023    | 100             | 25  | 1,5 | -          | 10   | -  | -    | -  | -  | 33         | 10         |
|           | ●     | 80234   | 100             | 25  | 1,5 | -          | 10   | -  | -    | -  | -  | 33         | 10         |
| Z 100/35  | ●     | 8024    | 100             | 35  | 1,5 | -          | -    | 6  | -    | -  | -  | 46         | 10         |
|           | ●     | 80244   | 100             | 35  | 1,5 | -          | -    | 6  | -    | -  | -  | 46         | 10         |
| Z 100/45  | ●     | 8025    | 100             | 45  | 1,5 | -          | -    | 6  | -    | -  | -  | 60         | 10         |
|           | ●     | 80254   | 100             | 45  | 1,5 | -          | -    | 6  | -    | -  | -  | 60         | 10         |
| Z 100/70  | ●     | 8041    | 100             | 70  | 1,5 | -          | -    | 10 | -    | -  | -  | 100        | 10         |
| Z 100/100 | ●     | 8055    | 100             | 100 | 2,0 | -          | -    | 8  | -    | -  | -  | 196        | 10         |
| Z 115/90  | ●     | 8042    | 115             | 90  | 2,5 | -          | -    | 8  | -    | -  | 2  | 237        | 10         |
| Z 135/120 | ●     | 8043    | 135             | 120 | 2,5 | -          | -    | 10 | -    | -  | -  | 366        | 10         |
| Z 150/25  | ●     | 8026    | 150             | 25  | 1,5 | 12         | -    | -  | -    | -  | -  | 49         | 10         |
|           | ●     | 80264   | 150             | 25  | 1,5 | 12         | -    | -  | -    | -  | -  | 49         | 10         |
| Z 150/35  | ●     | 8027    | 150             | 35  | 1,5 | 10         | -    | -  | -    | -  | -  | 64         | 10         |
|           | ●     | 80274   | 150             | 35  | 1,5 | 10         | -    | -  | -    | -  | -  | 64         | 10         |
| Z 150/45  | ●     | 8028    | 150             | 45  | 1,5 | -          | 8    | -  | -    | -  | -  | 93         | 10         |
|           | ●     | 80284   | 150             | 45  | 1,5 | -          | 8    | -  | -    | -  | -  | 93         | 10         |
| Z 150/55  | ●     | 8029    | 150             | 55  | 2,5 | -          | -    | -  | 10   | -  | -  | 193        | 10         |
| Z 200/35  | ●     | 8031    | 200             | 35  | 1,5 | -          | 10   | -  | -    | -  | -  | 90         | 10         |
| Z 200/45  | ●     | 8032    | 200             | 45  | 1,5 | -          | 10   | -  | -    | -  | -  | 110        | 10         |
|           | ●     | 80324   | 200             | 45  | 1,5 | -          | 10   | -  | -    | -  | -  | 110        | 10         |
| Z 250/45  | ●     | 8033    | 250             | 45  | 1,5 | -          | 12   | -  | -    | -  | -  | 143        | 10         |
|           | ●     | 80334   | 250             | 45  | 1,5 | -          | 12   | -  | -    | -  | -  | 143        | 10         |
| Z 300/35  | ●     | 8036    | 300             | 35  | 2,5 | -          | -    | -  | -    | 6  | -  | 230        | 10         |
|           | ●     | 8035    | 300             | 45  | 1,5 | -          | 12   | -  | -    | -  | -  | 168        | 10         |
| Z 300/45  | ●     | 80354   | 300             | 45  | 1,5 | -          | 12   | -  | -    | -  | -  | 168        | 10         |
|           | ●     | 80354   | 300             | 45  | 1,5 | -          | 12   | -  | -    | -  | -  | 168        | 10         |
| Z 350/50  | ●     | 8037    | 350             | 50  | 1,5 | -          | 14   | -  | -    | -  | -  | 222        | 10         |
| Z 400/35  | ●     | 8038    | 400             | 35  | 2,5 | -          | -    | -  | -    | 8  | -  | 287        | 10         |

**coating:**  
 ● yellow galvanization  
 ● silver galvanization

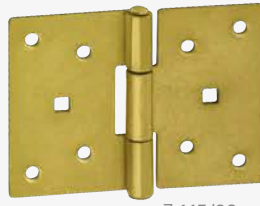


# Z

Butt hinge



Z 135/120



Z 115/90



Z 400/35



Z 350/50



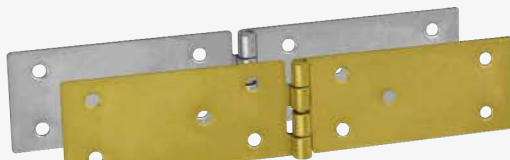
Z 300/45



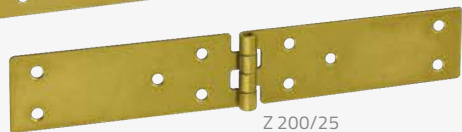
Z 300/35



Z 200/45



Z 200/35



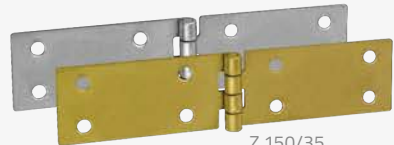
Z 200/25



Z 150/55



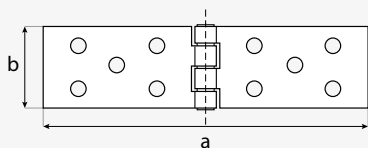
Z 150/45



Z 150/35



Z 150/25





ZS

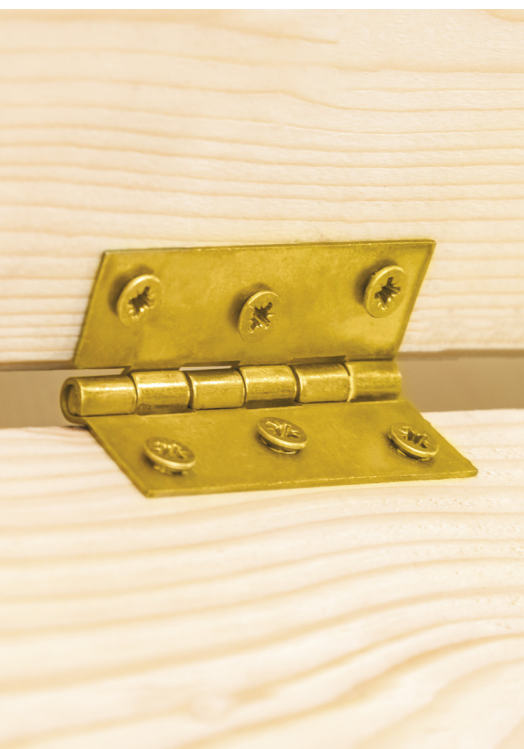
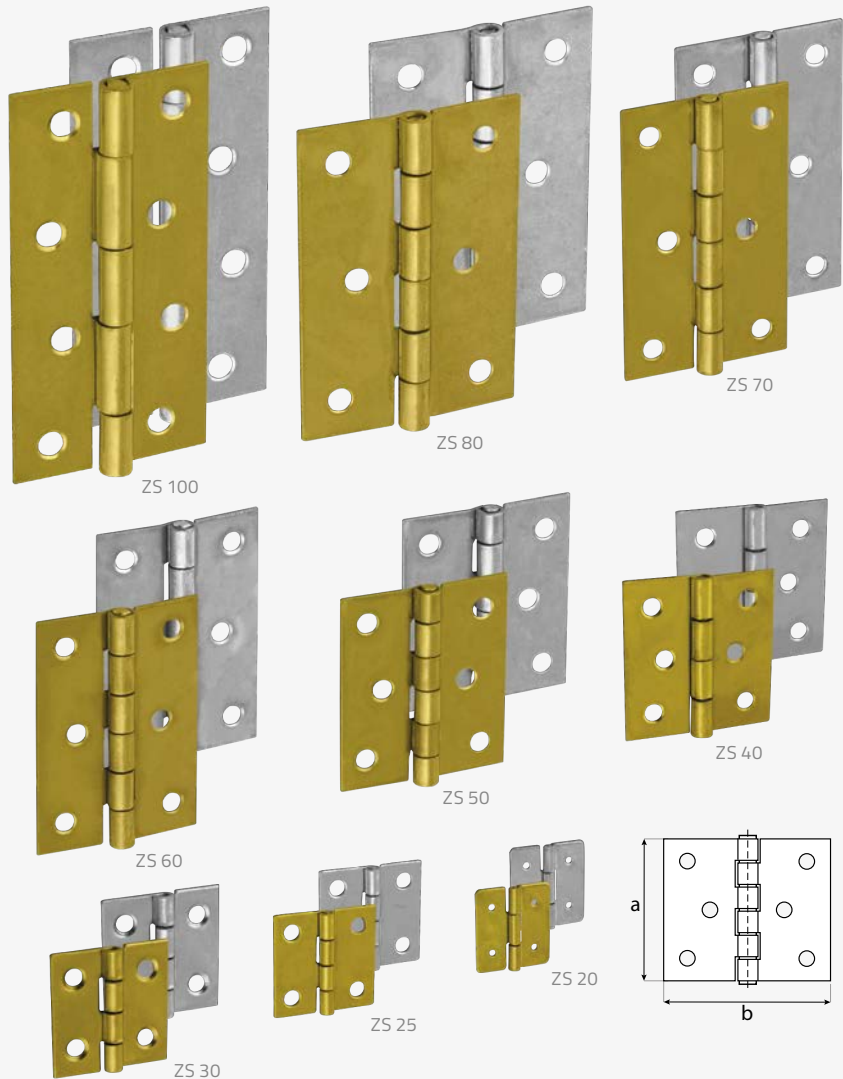
Braided hinge



**Application** Braided hinge for a large opening angle. It is suitable for use in all places where a movable connection is required, e.g. at chest lids or cupboard doors.

**Material** DC01 + yellow galvanization; DC01 + silver galvanization.

**Mounting** Nails for furniture hinges  $\varnothing 1.5$ ; wood screws  $\varnothing 3.5$ ,  $\varnothing 4$ ,  $\varnothing 4.5$ .



| name   | coat. | art no. | dimensions [mm] |    |     | holes [mm]        |                   |                 |                   | weight [g] | packaging   |
|--------|-------|---------|-----------------|----|-----|-------------------|-------------------|-----------------|-------------------|------------|-------------|
|        |       |         | a               | b  | ≠   | $\varnothing 1,5$ | $\varnothing 3,5$ | $\varnothing 4$ | $\varnothing 4,5$ |            |             |
| ZS 20  | ●     | 80101   | 20              | 17 | 0,5 | 4                 | -                 | -               | -                 | 2          | 20 à 10 pcs |
|        | ●     | 801041  | 20              | 17 | 0,5 | 4                 | -                 | -               | -                 | 2          | 20 à 10 pcs |
| ZS 25  | ●     | 80111   | 25              | 24 | 1,0 | -                 | 4                 | -               | -                 | 6          | 10 à 10 pcs |
|        | ●     | 801141  | 25              | 24 | 1,0 | -                 | 4                 | -               | -                 | 6          | 10 à 10 pcs |
| ZS 30  | ●     | 80121   | 30              | 29 | 1,0 | -                 | 4                 | -               | -                 | 9          | 10 à 10 pcs |
|        | ●     | 801241  | 30              | 29 | 1,0 | -                 | 4                 | -               | -                 | 9          | 10 à 10 pcs |
| ZS 40  | ●     | 8014    | 40              | 40 | 1,0 | -                 | -                 | 6               | -                 | 15         | 100 pcs     |
|        | ●     | 80144   | 40              | 40 | 1,0 | -                 | -                 | 6               | -                 | 15         | 100 pcs     |
| ZS 50  | ●     | 8016    | 50              | 42 | 1,0 | -                 | -                 | 6               | -                 | 24         | 50 pcs      |
|        | ●     | 80164   | 50              | 42 | 1,0 | -                 | -                 | 6               | -                 | 24         | 50 pcs      |
| ZS 60  | ●     | 8017    | 60              | 43 | 1,0 | -                 | -                 | -               | 6                 | 29         | 50 pcs      |
|        | ●     | 80174   | 60              | 43 | 1,0 | -                 | -                 | -               | 6                 | 29         | 50 pcs      |
| ZS 70  | ●     | 8018    | 70              | 43 | 1,0 | -                 | -                 | -               | 6                 | 34         | 50 pcs      |
|        | ●     | 80184   | 70              | 43 | 1,0 | -                 | -                 | -               | 6                 | 34         | 50 pcs      |
| ZS 80  | ●     | 8019    | 80              | 56 | 1,5 | -                 | -                 | -               | 6                 | 67         | 20 pcs      |
|        | ●     | 80194   | 80              | 56 | 1,5 | -                 | -                 | -               | 6                 | 67         | 20 pcs      |
| ZS 100 | ●     | 8045    | 100             | 48 | 1,3 | -                 | -                 | -               | 8                 | 80         | 10 pcs      |
|        | ●     | 80454   | 100             | 48 | 1,3 | -                 | -                 | -               | 8                 | 80         | 10 pcs      |

**coating:**  
 ● yellow galvanization  
 ● silver galvanization

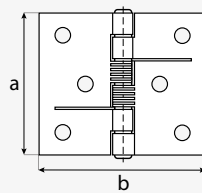
**Application** Hinge with a spring, perfect for e.g. in the construction of cages and aviaries for animals. Thanks to the use of a spring, the door closes automatically.

**Material** DC01 + yellow galvanization; DUPLEX: DC01 + Z275 powder coated black.

**Mounting** Wood screws  $\phi 4$ ,  $\phi 4.5$ ; screw ZAS  $\phi 4.5$ .

## ZSS

Braided hinge  
with a spring



| name   | coat. | art no. | dimensions [mm] |    |     | holes [mm] |            | weight [g] | pack [pcs] |
|--------|-------|---------|-----------------|----|-----|------------|------------|------------|------------|
|        |       |         | a               | b  | ≠   | $\phi 4$   | $\phi 4.5$ |            |            |
| ZSS 40 | ●     | 7945506 | 40              | 41 | 1,0 | 6          | –          | 21         | 50         |
|        | ■     | 7945502 | 40              | 41 | 1,0 | 6          | –          | 21         | 50         |
| ZSS 50 | ●     | 7945516 | 50              | 42 | 1,0 | 6          | –          | 21         | 50         |
|        | ■     | 7945512 | 50              | 42 | 1,0 | 6          | –          | 21         | 50         |
| ZSS 60 | ●     | 7945526 | 60              | 44 | 1,0 | –          | 6          | 31         | 50         |
|        | ■     | 7945522 | 60              | 44 | 1,0 | –          | 6          | 31         | 50         |

**coating:**

- yellow galvanization
- DUPLEX: DC01 + Z275 powder coated, black



# ZMS

Lift-off hinge

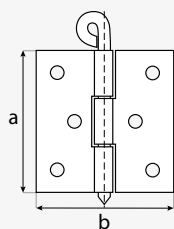
**Application** Detachable hinge with small dimensions. The two parts of the article are connected with a pin that allows opening and closing. It can also act as a bolt.

**Material** DC01 + yellow galvanization.

**Mounting** Wood screws  $\phi 4$ ,  $\phi 4.5$ ,  $\phi 5$ ; screw ZAS  $\phi 4.5$ .

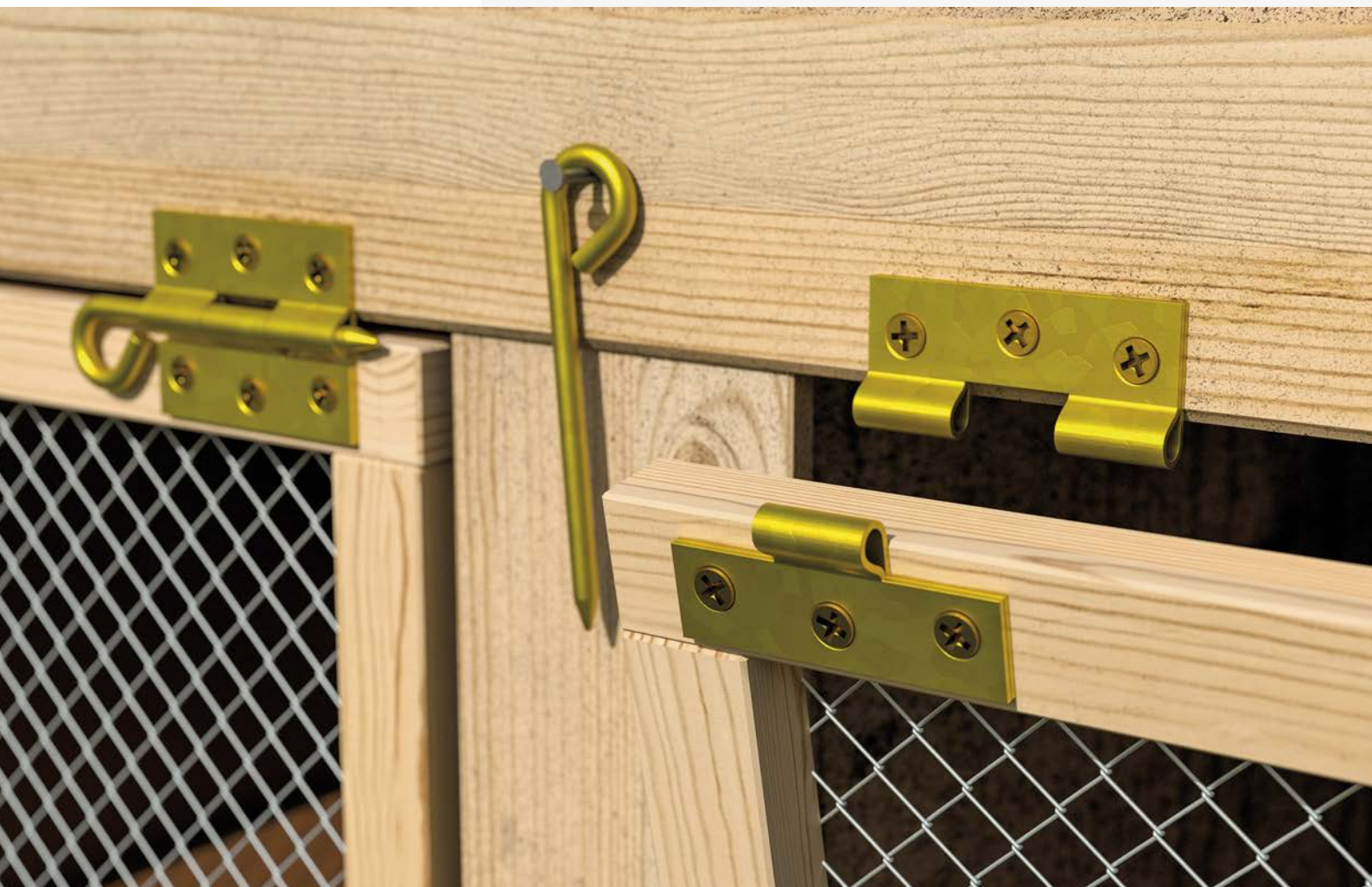


ZMS 70/55



| name      | coat. | art no. | dimensions [mm] |    |     | holes [mm] | weight [g] | pack [pcs] |
|-----------|-------|---------|-----------------|----|-----|------------|------------|------------|
|           |       |         | a               | b  | ≠   | $\phi 4$   |            |            |
| ZMS 70/55 | ●     | 8056    | 70              | 55 | 1,5 | 6          | 110        | 20         |

coating:  
● yellow galvanization





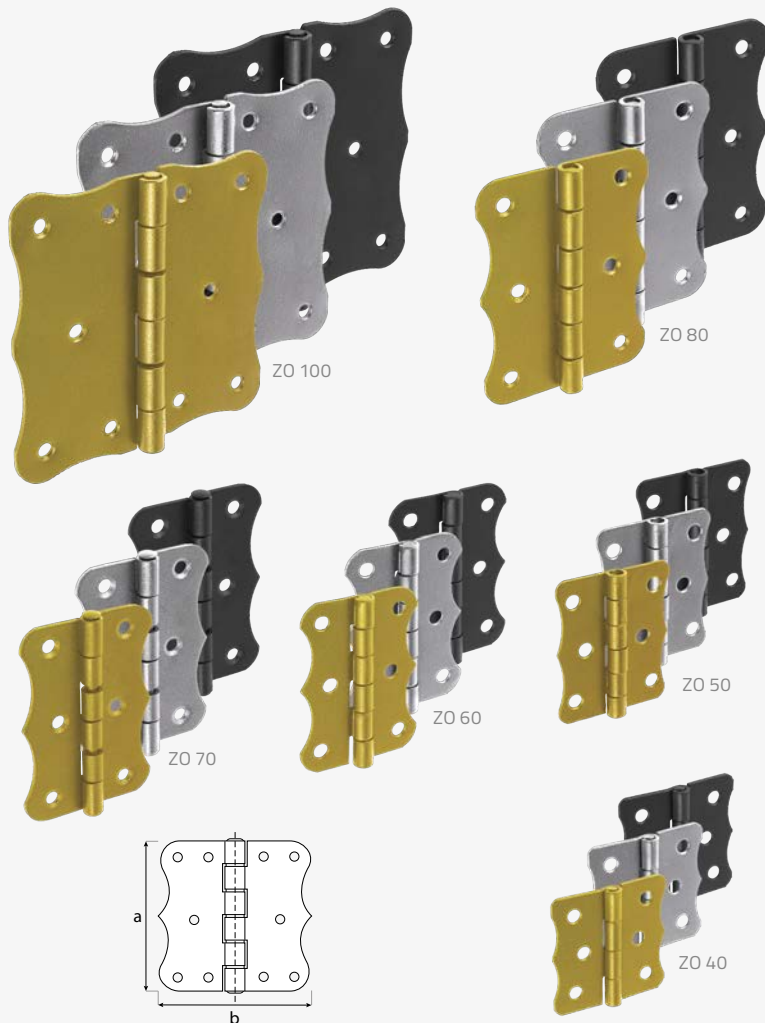
**Application** Hinge with a decorative finish. Intended for use in furniture and chests requiring the use of a movable connection.

**Material** DC01 + yellow galvanization; DC01 + silver galvanization; DUPLEX: DC01 + Z275 powder coated, black.

**Mounting** Wood screws  $\phi 4$ .

# ZO

## Decorative hinge



| name   | coat. | art no. | dimensions [mm] |     |     | holes [mm] |            |          | weight [g] | pack [pcs] |
|--------|-------|---------|-----------------|-----|-----|------------|------------|----------|------------|------------|
|        |       |         | a               | b   | ≠   | $\phi 4$   | $\phi 4.5$ | $\phi 5$ |            |            |
| ZO 40  | ●     | 7945406 | 40              | 45  | 1,0 | 6          | -          | -        | 21         | 50         |
|        | ●     | 7945404 | 40              | 45  | 1,0 | 6          | -          | -        | 21         | 50         |
|        | ■     | 7945402 | 40              | 45  | 1,0 | 6          | -          | -        | 21         | 50         |
| ZO 50  | ●     | 7945416 | 50              | 46  | 1,0 | 6          | -          | -        | 21         | 50         |
|        | ●     | 7945414 | 50              | 46  | 1,0 | 6          | -          | -        | 21         | 50         |
|        | ■     | 7945412 | 50              | 46  | 1,0 | 6          | -          | -        | 21         | 50         |
| ZO 60  | ●     | 7945426 | 60              | 48  | 1,0 | 6          | -          | -        | 31         | 50         |
|        | ●     | 7945424 | 60              | 48  | 1,0 | 6          | -          | -        | 31         | 50         |
|        | ■     | 7945422 | 60              | 48  | 1,0 | 6          | -          | -        | 31         | 50         |
| ZO 70  | ●     | 7945436 | 70              | 51  | 1,5 | -          | 6          | -        | 51         | 50         |
|        | ●     | 7945434 | 70              | 51  | 1,5 | -          | 6          | -        | 51         | 50         |
|        | ■     | 7945432 | 70              | 51  | 1,5 | -          | 6          | -        | 51         | 50         |
| ZO 80  | ●     | 8046    | 80              | 63  | 1,5 | -          | 6          | -        | 68         | 20         |
|        | ●     | 80464   | 80              | 63  | 1,5 | -          | 6          | -        | 68         | 20         |
|        | ■     | 80462   | 80              | 63  | 1,5 | -          | 6          | -        | 68         | 20         |
| ZO 100 | ●     | 8047    | 100             | 102 | 2,0 | -          | -          | 10       | 162        | 10         |
|        | ●     | 80474   | 100             | 102 | 2,0 | -          | -          | 10       | 162        | 10         |
|        | ■     | 80472   | 100             | 102 | 2,0 | -          | -          | 10       | 162        | 10         |

**coating:**

- yellow galvanization
- silver galvanization
- DUPLEX: DC01 + Z275 powder coated, black

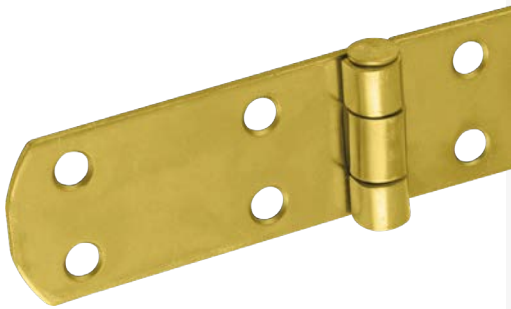
ZF

French hinge

**Application** French type hinge with oblong shape and rounded corners. The simple design will work well when installing the lid of the box or wooden door in the tool compartment.

**Material** DC01 + yellow galvanization.

**Mounting** Wood screws  $\phi 4$ ,  $\phi 6$ .



ZF 300



ZF 250



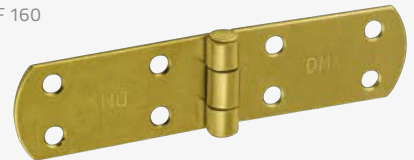
ZF 200



ZF 180



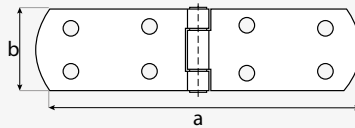
ZF 160



ZF 140



ZF 120



| name   | coat. | art no. | dimensions [mm] |    |     | holes [mm] |     | weight [g] | pack [pcs] |
|--------|-------|---------|-----------------|----|-----|------------|-----|------------|------------|
|        |       |         | a               | b  | ≠   | $\phi 6$   |     |            |            |
| ZF 120 | ●     | 8071    | 120             | 33 | 2,5 | 6          | 69  | 10         |            |
| ZF 140 | ●     | 8072    | 140             | 33 | 2,5 | 8          | 79  | 10         |            |
| ZF 160 | ●     | 8073    | 160             | 33 | 2,5 | 8          | 88  | 10         |            |
| ZF 180 | ●     | 8074    | 180             | 33 | 2,5 | 8          | 97  | 10         |            |
| ZF 200 | ●     | 8075    | 200             | 33 | 2,5 | 10         | 108 | 10         |            |
| ZF 250 | ●     | 8076    | 250             | 38 | 2,5 | 10         | 148 | 10         |            |
| ZF 300 | ●     | 8077    | 300             | 38 | 2,5 | 10         | 226 | 10         |            |

**coating:**  
● yellow galvanization



**Application** Decorative hinge designed to construct gates, wickets or shutters. The rustic finish gives it an elegant look and allows you to create interesting arrangements.

**Material** DC01 + yellow galvanization; DC01 + silver galvanization; DUPLEX: DC01 + Z275 powder coated, black.

**Mounting** Wood screws  $\varnothing 5$ ; screw ZAS  $\varnothing 4.5$ .

## ZOF

### Decorative French hinge



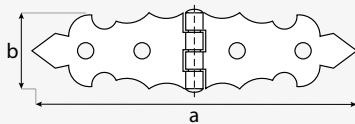
ZOF 250



ZOF 200



ZOF 150



| name    | coat. | art no. | dimensions [mm] |    |     | holes [mm]      | weight [g] | pack [pcs] |
|---------|-------|---------|-----------------|----|-----|-----------------|------------|------------|
|         |       |         | a               | b  | #   | $\varnothing 5$ |            |            |
| ZOF 150 | ●     | 7945306 | 150             | 34 | 2,0 | 4               | 51         | 10         |
|         | ●     | 7945304 | 150             | 34 | 2,0 | 4               | 51         | 10         |
|         | ■     | 7945302 | 150             | 34 | 2,0 | 4               | 51         | 10         |
| ZOF 200 | ●     | 7945316 | 200             | 34 | 2,0 | 6               | 71         | 10         |
|         | ●     | 7945314 | 200             | 34 | 2,0 | 6               | 71         | 10         |
| ZOF 250 | ■     | 7945312 | 200             | 34 | 2,0 | 6               | 71         | 10         |
|         | ●     | 7945326 | 250             | 34 | 2,0 | 8               | 81         | 10         |
|         | ●     | 7945324 | 250             | 34 | 2,0 | 8               | 81         | 10         |
|         | ■     | 7945322 | 250             | 34 | 2,0 | 8               | 81         | 10         |

**coating:**

- yellow galvanization
- silver galvanization
- DUPLEX: DC01 + Z275 powder coated, black





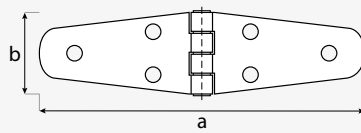
# ZTS

## Braided triangular hinge

**Application** Long hinge with tapered wings. The simple design will work well when installing the lid of the box or wooden door in the tool compartment.

**Material** DC01 + yellow galvanization; DC01 + silver galvanization; DUPLEX: DC01 + Z275 powder coated black.

**Mounting** Wood screws  $\phi 5$ ; screw ZAS  $\phi 4.5$ .



| name    | coat. | art no. | dimensions [mm] |    |     | holes [mm] | weight [g] | pack [pcs] |
|---------|-------|---------|-----------------|----|-----|------------|------------|------------|
|         |       |         | a               | b  | ≠   | $\phi 5$   |            |            |
| ZTS 150 | ●     | 8085    | 150             | 35 | 2,0 | 6          | 73         | 10         |
|         | ●     | 80854   | 150             | 35 | 2,0 | 6          | 73         | 10         |
|         | ■     | 80852   | 150             | 35 | 2,0 | 6          | 73         | 10         |
| ZTS 200 | ●     | 8088    | 200             | 40 | 2,0 | 6          | 102        | 10         |
|         | ●     | 80884   | 200             | 40 | 2,0 | 6          | 102        | 10         |
| ZTS 250 | ■     | 80882   | 200             | 40 | 2,0 | 6          | 102        | 10         |
|         | ●     | 8087    | 250             | 45 | 2,0 | 10         | 137        | 10         |
|         | ●     | 80874   | 250             | 45 | 2,0 | 10         | 137        | 10         |
|         | ■     | 80872   | 250             | 45 | 2,0 | 10         | 137        | 10         |

**coating:**  
 ● yellow galvanization  
 ● silver galvanization  
 ■ DUPLEX: DC01 + Z275 powder coated, black

**Application** Hinge for constructing or repairing two-part wooden ladders. It has two hinged wings that ensure smooth folding and unfolding of the ladder, as well as its stability during the work performed.

**Material** DC01 + silver galvanization.

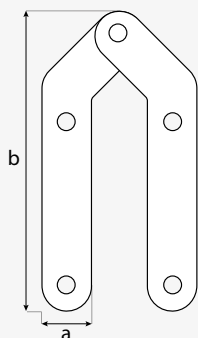
**Mounting** Wood screws  $\varnothing 6$ ; M6 metric screws.

## ZD

### Ladder hinge

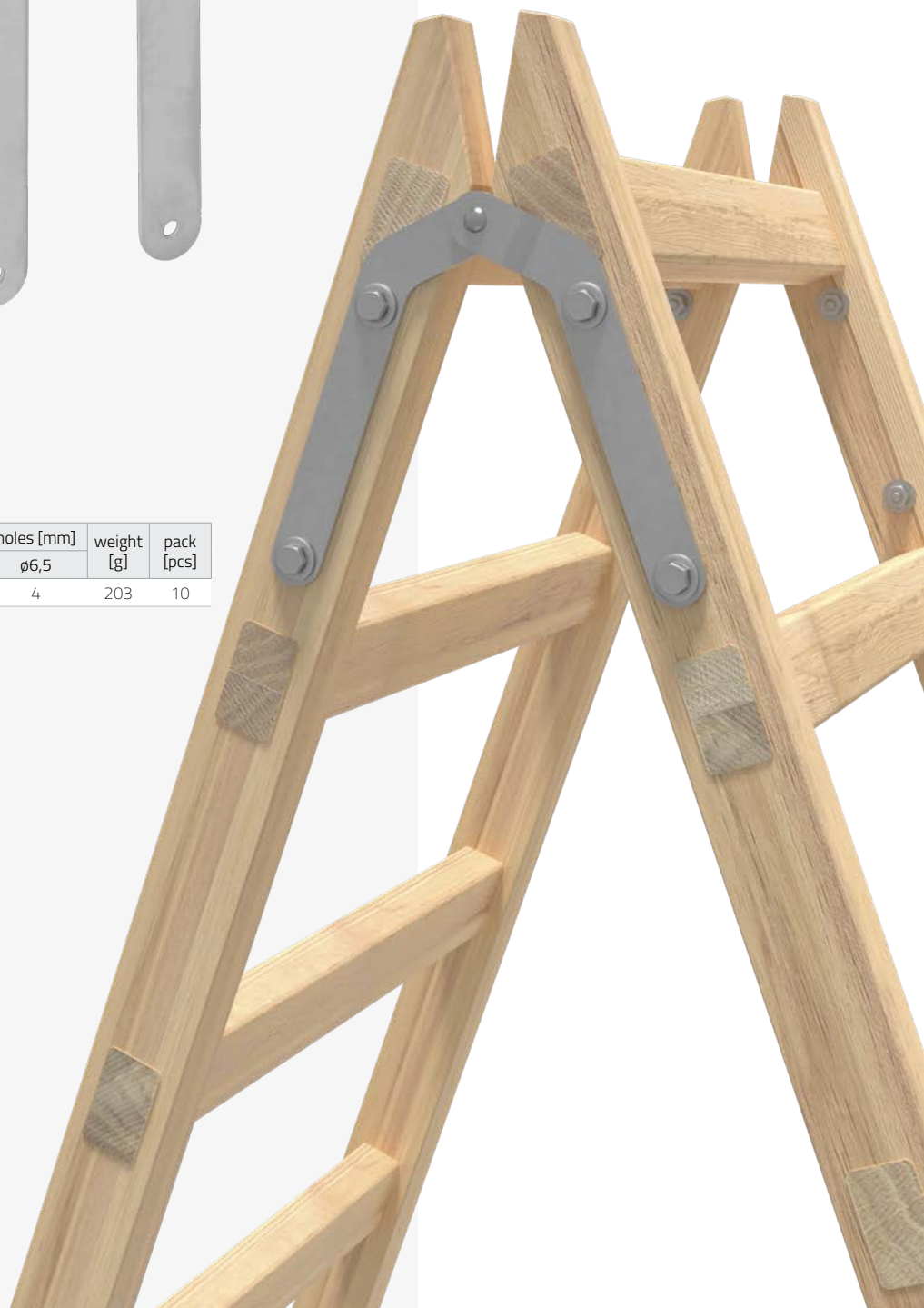


ZD 200



| name   | coat. | art no. | dimensions [mm] |    |     | holes [mm]        | weight [g] | pack [pcs] |
|--------|-------|---------|-----------------|----|-----|-------------------|------------|------------|
|        |       |         | a               | b  | ≠   | $\varnothing 6,5$ |            |            |
| ZD 200 | ●     | 8048    | 200             | 25 | 2,5 | 4                 | 203        | 10         |

**coating:**  
● silver galvanization



ZT

Gate hinge

**Application** A universal hinge consisting of a narrow rectangular part and a tapered elongated leaf. Intended for fastening, e.g. doors, flaps, age and light wickets.

**Material** DC01 + yellow galvanization; DC01 + silver galvanization; DUPLEX: DC01 + Z275 powder coated black.

**Mounting** Wood screws  $\phi 4$ .



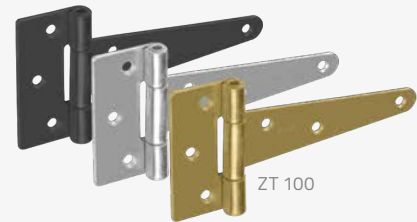
ZT 200



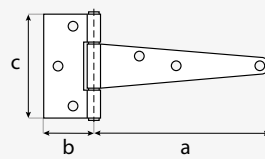
ZT 150



ZT 125



ZT 100



| name   | coat. | art no. | dimensions [mm] |    |     |     | holes [mm] |     | weight [g] | pack [pcs] |
|--------|-------|---------|-----------------|----|-----|-----|------------|-----|------------|------------|
|        |       |         | a               | b  | c   | ≠   | $\phi 4$   |     |            |            |
| ZT 100 | ●     | 8181    | 100             | 30 | 65  | 2,0 | 6          | 86  | 10         |            |
|        | ●     | 81814   | 100             | 30 | 65  | 2,0 | 6          | 86  | 10         |            |
|        | ■     | 81812   | 100             | 30 | 65  | 2,0 | 6          | 86  | 10         |            |
| ZT 125 | ●     | 8182    | 125             | 35 | 80  | 2,0 | 6          | 115 | 10         |            |
|        | ●     | 81824   | 125             | 35 | 80  | 2,0 | 6          | 115 | 10         |            |
| ZT 150 | ■     | 81822   | 125             | 35 | 80  | 2,0 | 6          | 115 | 10         |            |
|        | ●     | 8183    | 150             | 35 | 80  | 2,0 | 7          | 128 | 10         |            |
| ZT 200 | ●     | 81834   | 150             | 35 | 80  | 2,0 | 7          | 128 | 10         |            |
|        | ■     | 81832   | 150             | 35 | 80  | 2,0 | 7          | 128 | 10         |            |
| ZT 200 | ●     | 8184    | 200             | 50 | 110 | 2,5 | 7          | 346 | 10         |            |
|        | ●     | 81844   | 200             | 50 | 110 | 2,5 | 7          | 346 | 10         |            |
|        | ■     | 81842   | 200             | 50 | 110 | 2,5 | 7          | 346 | 10         |            |

**coating:**  
 ● yellow galvanization  
 ● silver galvanization  
 ■ DUPLEX: DC01 + Z275 powder coated, black



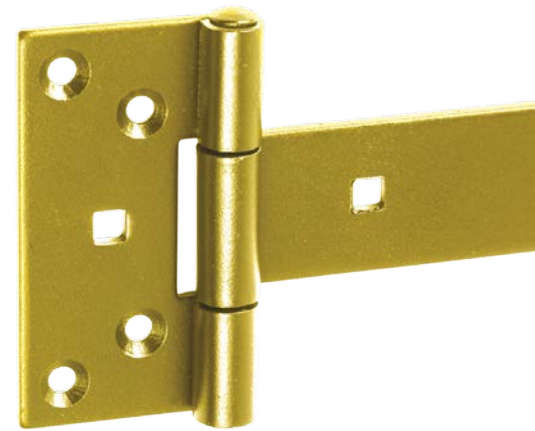
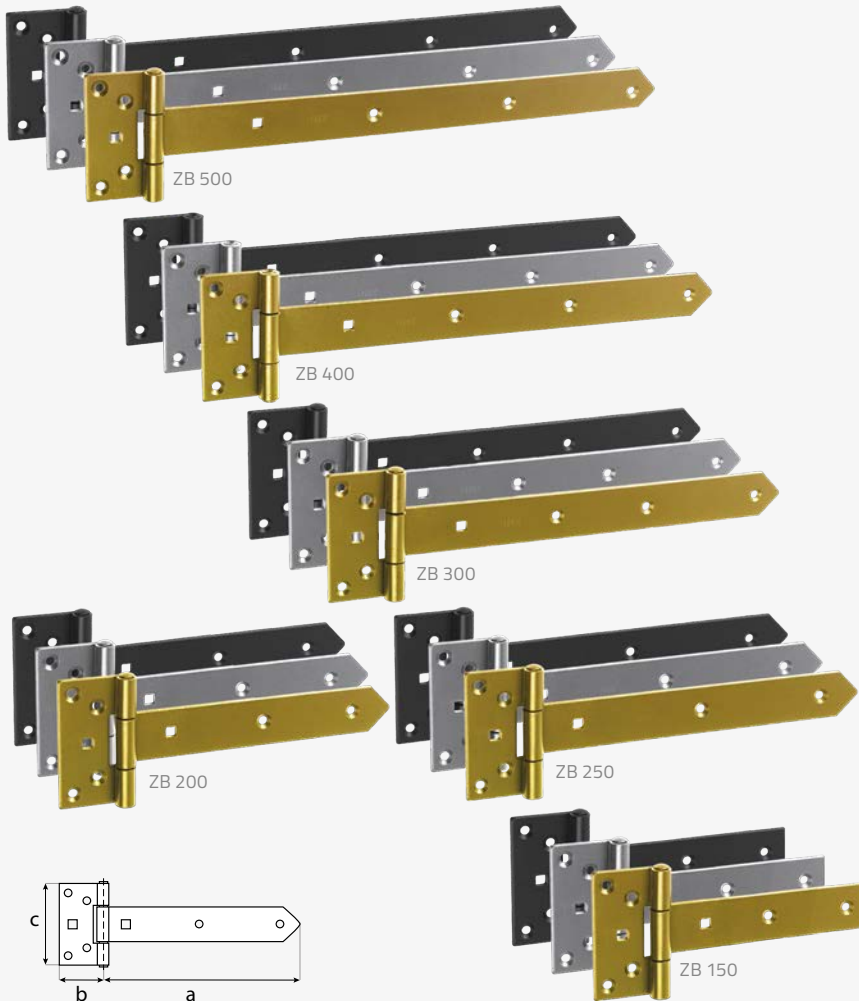
**Application** Gate hinge consisting of a narrow rectangular part and longitudinal wing. Intended for the installation of gates, doors and shutters.

**Material** DC01 + yellow galvanization; DC01 + silver galvanization; DUPLEX: DC01 + Z275 powder coated, black.

**Mounting** Wood screws  $\varnothing 4.5$ ; screw ZAS  $\varnothing 4.5$ ; carriage bolts M6; carriage bolt ZACB M6.

## ZB

### Gate hinge



| name   | coat. | art no. | dimensions [mm] |    |    |     | holes [mm]        |             | weight [g] | pack [pcs] |
|--------|-------|---------|-----------------|----|----|-----|-------------------|-------------|------------|------------|
|        |       |         | a               | b  | c  | ≠   | $\varnothing 4.5$ | $\square 7$ |            |            |
| ZB 150 | ●     | 8101    | 150             | 45 | 90 | 3,0 | 6                 | 2           | 279        | 10         |
|        | ●     | 81014   | 150             | 45 | 90 | 3,0 | 6                 | 2           | 279        | 10         |
|        | ■     | 81012   | 150             | 45 | 90 | 3,0 | 6                 | 2           | 279        | 10         |
| ZB 200 | ●     | 8102    | 200             | 45 | 90 | 3,0 | 6                 | 2           | 317        | 10         |
|        | ●     | 81024   | 200             | 45 | 90 | 3,0 | 6                 | 2           | 317        | 10         |
|        | ■     | 81022   | 200             | 45 | 90 | 3,0 | 6                 | 2           | 317        | 10         |
| ZB 250 | ●     | 8103    | 250             | 45 | 90 | 3,0 | 6                 | 2           | 354        | 10         |
|        | ●     | 81034   | 250             | 45 | 90 | 3,0 | 6                 | 2           | 354        | 10         |
|        | ■     | 81032   | 250             | 45 | 90 | 3,0 | 6                 | 2           | 354        | 10         |
| ZB 300 | ●     | 8104    | 300             | 45 | 90 | 3,0 | 7                 | 2           | 394        | 10         |
|        | ●     | 81044   | 300             | 45 | 90 | 3,0 | 7                 | 2           | 394        | 10         |
|        | ■     | 81042   | 300             | 45 | 90 | 3,0 | 7                 | 2           | 394        | 10         |
| ZB 350 | ●     | 8105    | 350             | 45 | 90 | 3,0 | 7                 | 2           | 426        | 10         |
|        | ●     | 81054   | 350             | 45 | 90 | 3,0 | 7                 | 2           | 426        | 10         |
|        | ■     | 81052   | 350             | 45 | 90 | 3,0 | 7                 | 2           | 426        | 10         |
| ZB 400 | ●     | 8106    | 400             | 45 | 90 | 3,0 | 7                 | 2           | 473        | 10         |
|        | ●     | 81064   | 400             | 45 | 90 | 3,0 | 7                 | 2           | 473        | 10         |
|        | ■     | 81062   | 400             | 45 | 90 | 3,0 | 7                 | 2           | 473        | 10         |

**coating:**

- yellow galvanization
- silver galvanization
- DUPLEX: DC01 + Z275 powder coated, black

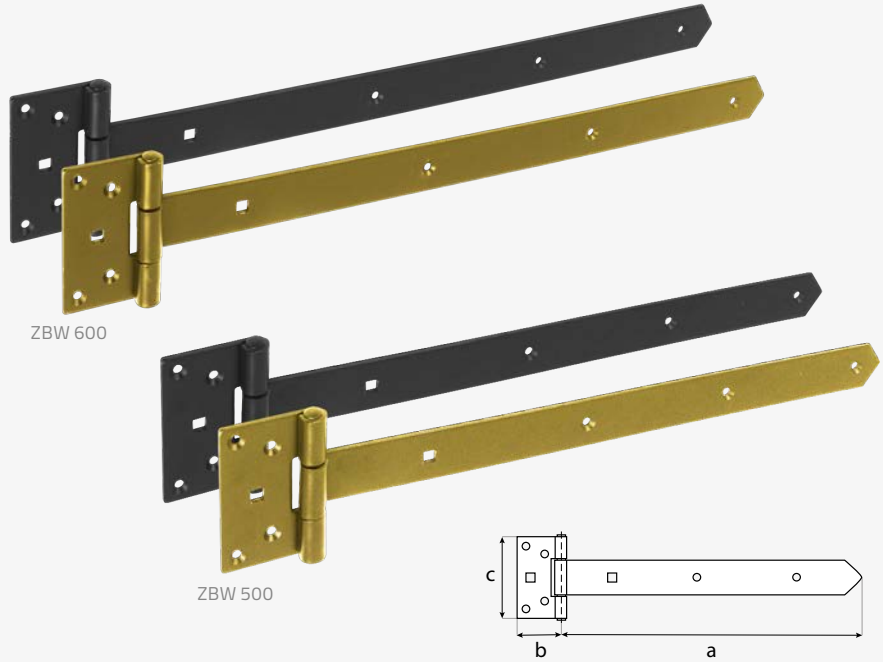
# ZBW

Gate hinge

**Application** Gate hinge consisting of a narrow rectangular part and an elongated wing with a triangular ending. Designed for mounting gates, doors or shutters. Available in larger sizes.

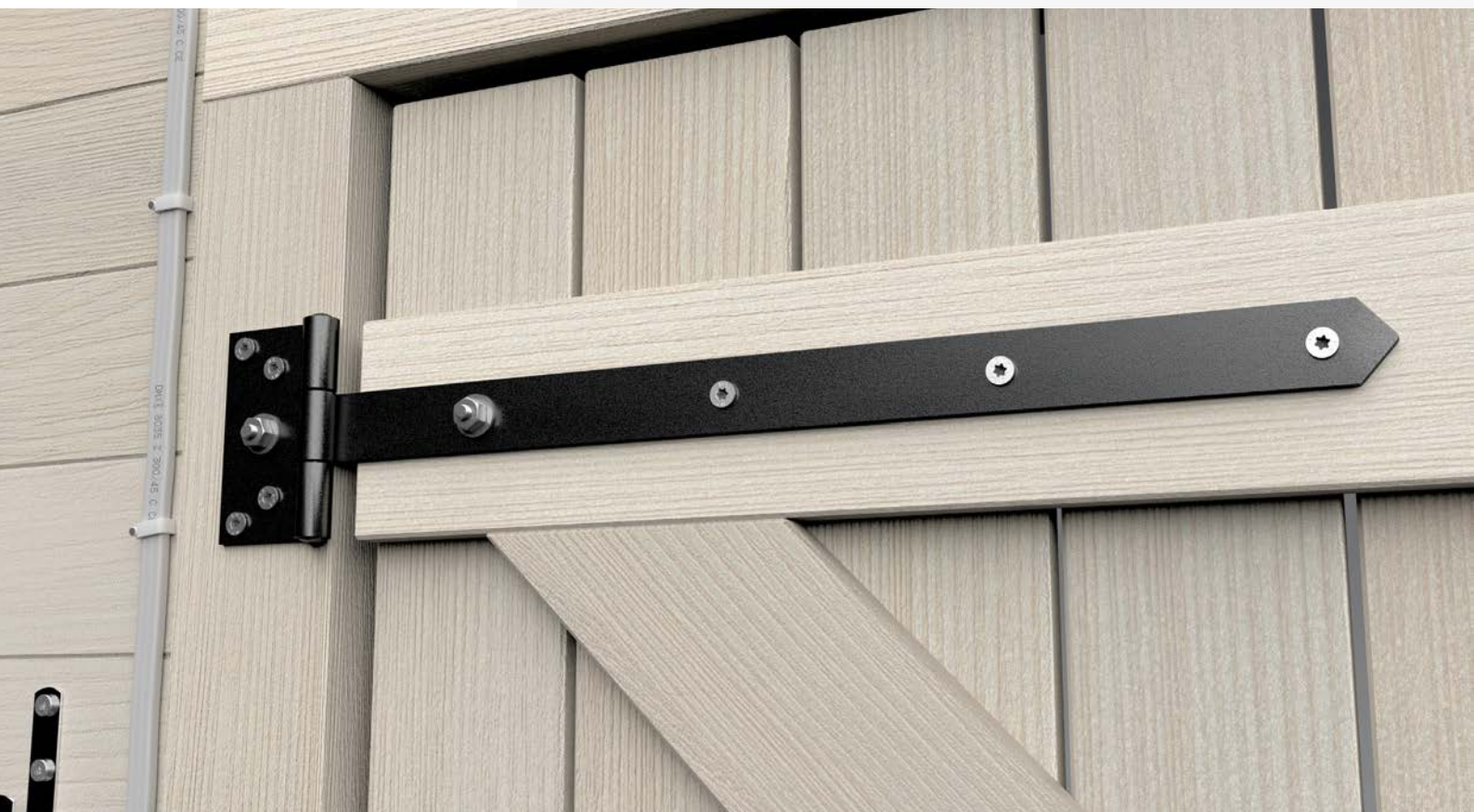
**Material** DC01 + yellow galvanization; DUPLEX: DC01 + Z275 powder coated black.

**Mounting** Wood screws  $\varnothing 6$ ; carriage bolts M8; carriage bolt ZACB M8.



| name    | coat. | art no. | dimensions [mm] |    |     |     | holes [mm]        |             |      | weight [g] | pack [pcs] |
|---------|-------|---------|-----------------|----|-----|-----|-------------------|-------------|------|------------|------------|
|         |       |         | a               | b  | c   | ≠   | $\varnothing 6,5$ | $\square 9$ |      |            |            |
| ZBW 500 | ●     | 8114    | 500             | 65 | 110 | 4,0 | 7                 | 2           | 924  | 10         |            |
|         | ■     | 81142   | 500             | 65 | 110 | 4,0 | 7                 | 2           | 924  | 10         |            |
| ZBW 600 | ●     | 8115    | 600             | 65 | 110 | 4,0 | 7                 | 2           | 1038 | 10         |            |
|         | ■     | 81152   | 600             | 65 | 110 | 4,0 | 7                 | 2           | 1038 | 10         |            |

**coating:**  
 ● yellow galvanization  
 ■ DUPLEX: DC01 + Z275 powder coated, black



**Application** Light version of the gate hinge, equipped with an additional embossing. It is perfect for the installation of smaller gates, doors or chests, giving them an elegant finish.

**Material** DC01 + yellow galvanization.

**Mounting** Wood screws  $\varnothing 4, \varnothing 5$ ; carriage bolts M6.

## ZBL

### Gate hinge



ZBL 300



ZBL 250



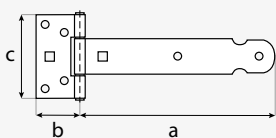
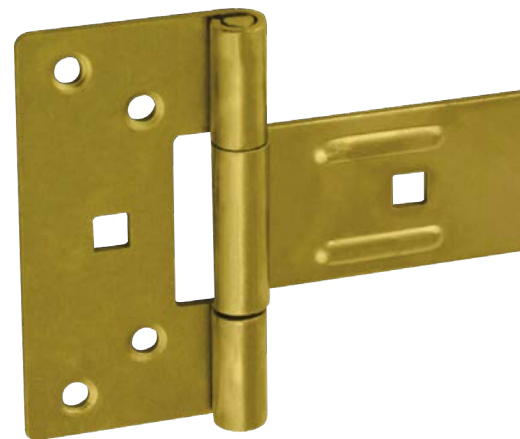
ZBL 200



ZBL 150



ZBL 100



| name    | coat. | art no. | dimensions [mm] |    |    |     | holes [mm]      |                 |             | weight [g] | pack [pcs] |
|---------|-------|---------|-----------------|----|----|-----|-----------------|-----------------|-------------|------------|------------|
|         |       |         | a               | b  | c  | ≠   | $\varnothing 4$ | $\varnothing 5$ | $\square 7$ |            |            |
| ZBL 100 | ●     | 8130    | 100             | 32 | 65 | 1,5 | 7               | –               | –           | 75         | 10         |
| ZBL 150 | ●     | 8131    | 150             | 32 | 65 | 1,5 | 7               | –               | –           | 89         | 10         |
| ZBL 200 | ●     | 8132    | 200             | 38 | 84 | 2,0 | –               | 6               | 2           | 186        | 10         |
| ZBL 250 | ●     | 8133    | 250             | 38 | 84 | 2,0 | –               | 6               | 2           | 213        | 10         |
| ZBL 300 | ●     | 8134    | 300             | 38 | 84 | 2,0 | –               | 7               | 2           | 243        | 10         |

**coating:**  
● yellow galvanization



# ZBP

## Strap gate hinge

**Application** Universal strap gate hinge with an elongated shape and a durable braid. Designed for mounting wickets, gates or chests.

**Material** DC01 + yellow galvanization; DUPLEX: DC01 + Z275 powder coated black.

**Mounting** Wood screws  $\varnothing 5$ ; carriage bolts M6; carriage bolt ZACB M6.



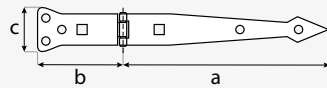
ZBP 300



ZBP 250



ZBP 200



| name    | coat. | art no. | dimensions [mm] |    |    |     | holes [mm]      |             | weight [g] | pack [pcs] |
|---------|-------|---------|-----------------|----|----|-----|-----------------|-------------|------------|------------|
|         |       |         | a               | b  | c  | ≠   | $\varnothing 5$ | $\square 7$ |            |            |
| ZBP 200 | ●     | 8161    | 200             | 80 | 50 | 2,5 | 5               | 2           | 176        | 10         |
|         | ■     | 81612   | 200             | 80 | 50 | 2,5 | 5               | 2           | 176        | 10         |
| ZBP 250 | ●     | 8162    | 250             | 80 | 50 | 2,5 | 5               | 2           | 211        | 10         |
| ZBP 300 | ●     | 8163    | 300             | 80 | 50 | 2,5 | 6               | 2           | 242        | 10         |
|         | ■     | 81632   | 300             | 80 | 50 | 2,5 | 6               | 2           | 242        | 10         |

**coating:**

- yellow galvanization
- DUPLEX: DC01 + Z275 powder coated, black



## ZBO

Decorative gate hinge

**Application** Gate hinge consisting of a narrow rectangular part and an elongated wing with a decorative finish. Designed for mounting gates, doors or shutters.

**Material** DC01 + yellow galvanization.

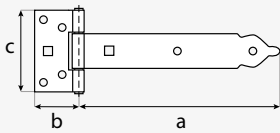
**Mounting** Wood screws  $\varnothing 6$ ; carriage bolts M6.



ZBO 250



ZBO 150



| name    | coat. | art no. | dimensions [mm] |    |    |    |     | holes [mm]      |             | weight [g] | pack [pcs] |
|---------|-------|---------|-----------------|----|----|----|-----|-----------------|-------------|------------|------------|
|         |       |         | a               | b  | c  | d  | ≠   | $\varnothing 6$ | $\square 7$ |            |            |
| ZBO 150 | ●     | 8121    | 150             | 60 | 90 | 35 | 2,5 | 6               | 2           | 177        | 10         |
| ZBO 250 | ●     | 8122    | 250             | 60 | 90 | 35 | 2,5 | 6               | 2           | 228        | 10         |
| ZBO 350 | ●     | 8123    | 350             | 60 | 90 | 35 | 2,5 | 7               | 2           | 269        | 10         |

coating:

● yellow galvanization



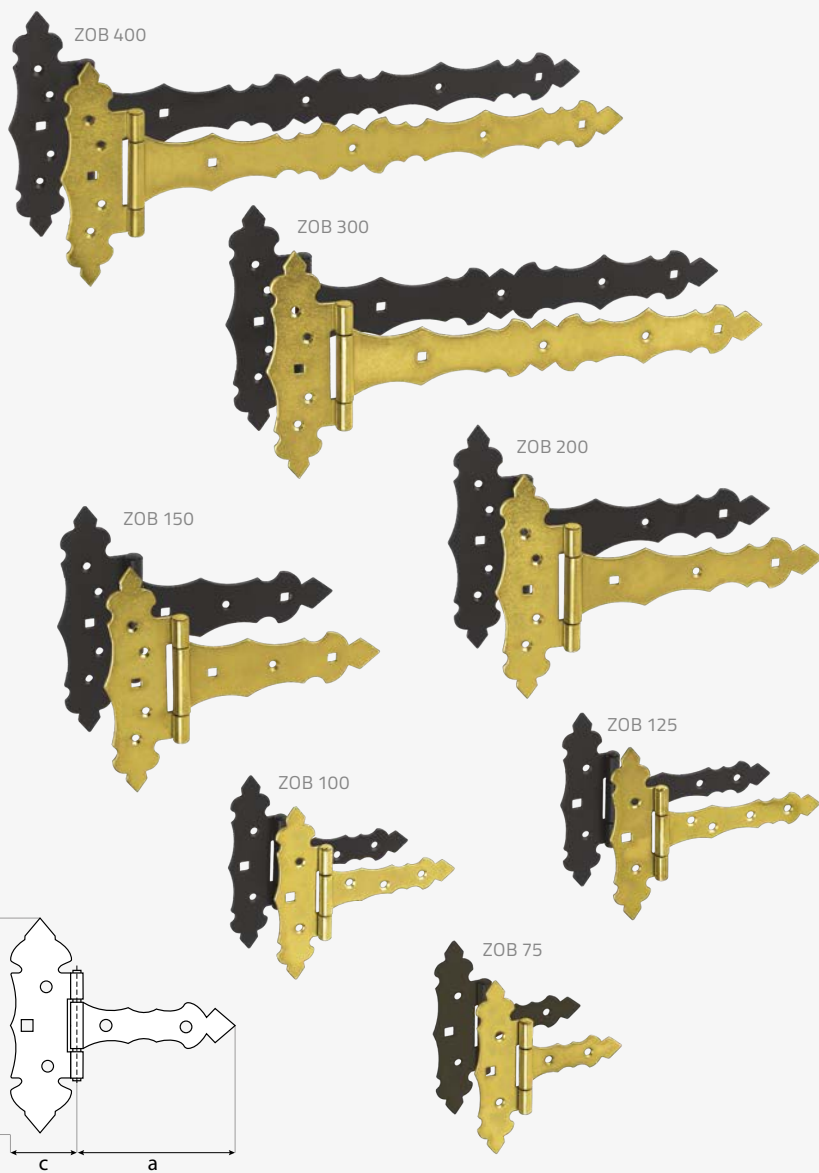
# ZOB

Decorative gate hinge

**Application** Decorative hinge designed to construct gates, wickets or shutters. The rustic finish gives it an elegant look and allows you to create interesting arrangements. Available in black and gold.

**Material** DC01 + yellow galvanization; DUPLEX: DC01 + Z275 powder coated black.

**Mounting** Wood screws  $\varnothing 4.5$ ; screw ZAS  $\varnothing 4.5$ ; carriage bolts M6; carriage bolt ZACB M6.



| name    | coat. | art no. | dimensions [mm] |     |    |     | holes [mm]      |             | weight [g] | pack [pcs] |
|---------|-------|---------|-----------------|-----|----|-----|-----------------|-------------|------------|------------|
|         |       |         | a               | b   | c  | ≠   | $\varnothing 5$ | $\square 7$ |            |            |
| ZOB 75  | ●     | 7945016 | 75              | 130 | 30 | 2,0 | 4               | 1           | 101        | 10         |
|         | ■     | 7945012 | 75              | 130 | 30 | 2,0 | 4               | 1           | 101        | 10         |
| ZOB 100 | ●     | 7945026 | 100             | 130 | 30 | 2,0 | 5               | 1           | 111        | 10         |
|         | ■     | 7945022 | 100             | 130 | 30 | 2,0 | 5               | 1           | 111        | 10         |
| ZOB 125 | ●     | 7945036 | 125             | 130 | 30 | 2,0 | 6               | 1           | 121        | 10         |
|         | ■     | 7945032 | 125             | 130 | 30 | 2,0 | 6               | 1           | 121        | 10         |
| ZOB 150 | ●     | 7945046 | 150             | 170 | 30 | 2,5 | 5               | 3           | 281        | 10         |
|         | ■     | 7945042 | 150             | 170 | 30 | 2,5 | 5               | 3           | 281        | 10         |
| ZOB 200 | ●     | 7945056 | 200             | 170 | 30 | 2,5 | 5               | 3           | 301        | 10         |
|         | ■     | 7945052 | 200             | 170 | 30 | 2,5 | 5               | 3           | 301        | 10         |
| ZOB 300 | ●     | 7945066 | 300             | 170 | 30 | 2,5 | 6               | 3           | 391        | 10         |
|         | ■     | 7945062 | 300             | 170 | 30 | 2,5 | 6               | 3           | 391        | 10         |
| ZOB 400 | ●     | 7945076 | 400             | 170 | 30 | 2,5 | 6               | 3           | 421        | 10         |
|         | ■     | 7945072 | 400             | 170 | 30 | 2,5 | 6               | 3           | 421        | 10         |

**coating:**  
 ● yellow galvanization  
 ■ DUPLEX: DC01 + Z275 powder coated, black



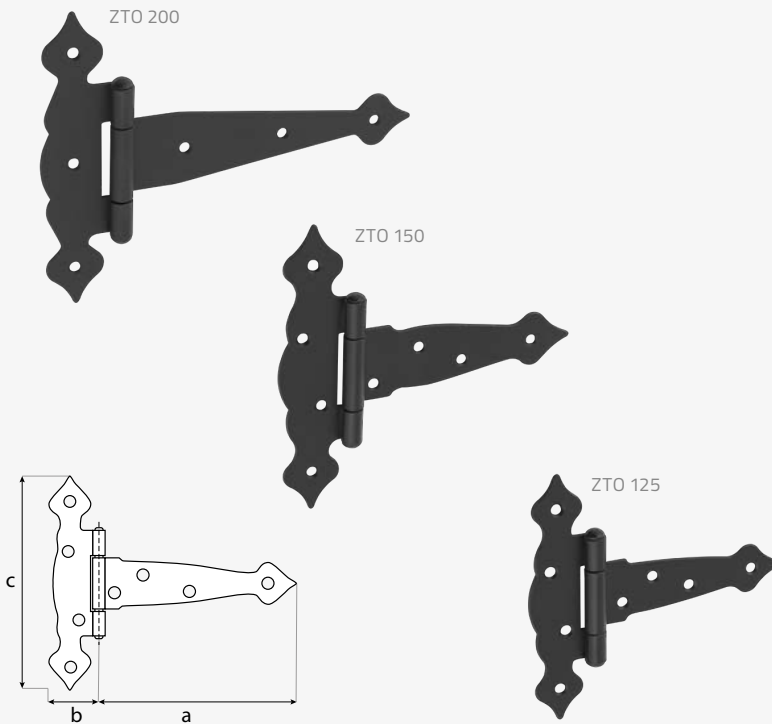
**Application** Decorative hinge designed to construct gates, wickets or shutters. The rustic finish gives it an elegant look and allows you to create interesting arrangements. Available in black and gold.

**Material** DUPLEX: DC01 + Z275 powder coated, black.

**Mounting** Wood screws  $\phi 6$ .

## ZTO

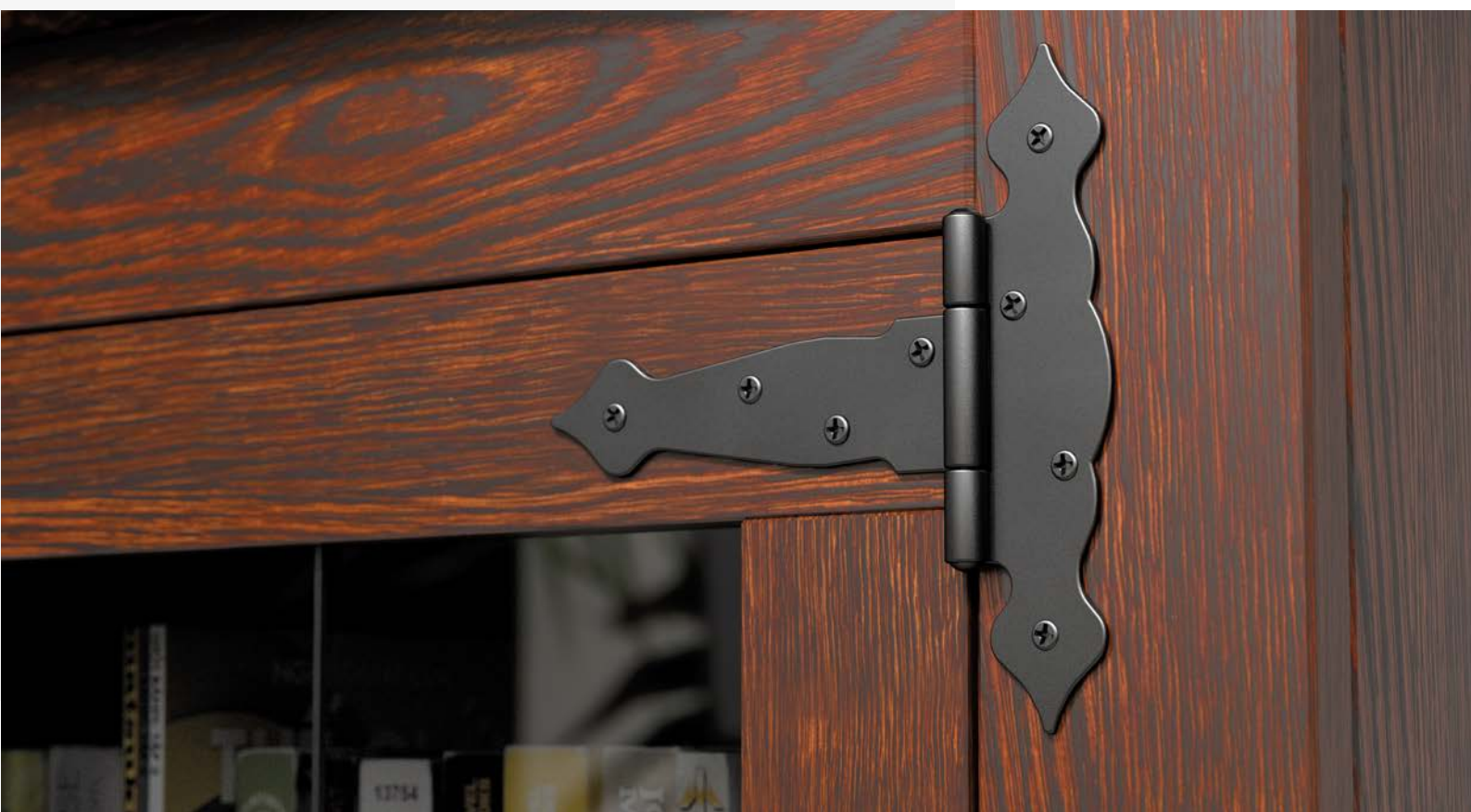
Decorative  
tee hinge



| name    | coat. | art no. | dimensions [mm] |    |     |     | holes [mm] | weight [g] | pack [pcs] |
|---------|-------|---------|-----------------|----|-----|-----|------------|------------|------------|
|         |       |         | a               | b  | c   | ≠   | $\phi 6$   |            |            |
| ZTO 125 | ■     | 89202   | 125             | 40 | 160 | 2,5 | 8          | 231        | 10         |
| ZTO 150 | ■     | 89212   | 150             | 45 | 185 | 2,5 | 8          | 288        | 10         |
| ZTO 200 | ■     | 89222   | 200             | 50 | 190 | 2,5 | 7          | 366        | 10         |

coating:

■ DUPLEX: DC01 + Z275 powder coated, black



# ZBNO

Decorative gate hinge



**Application**

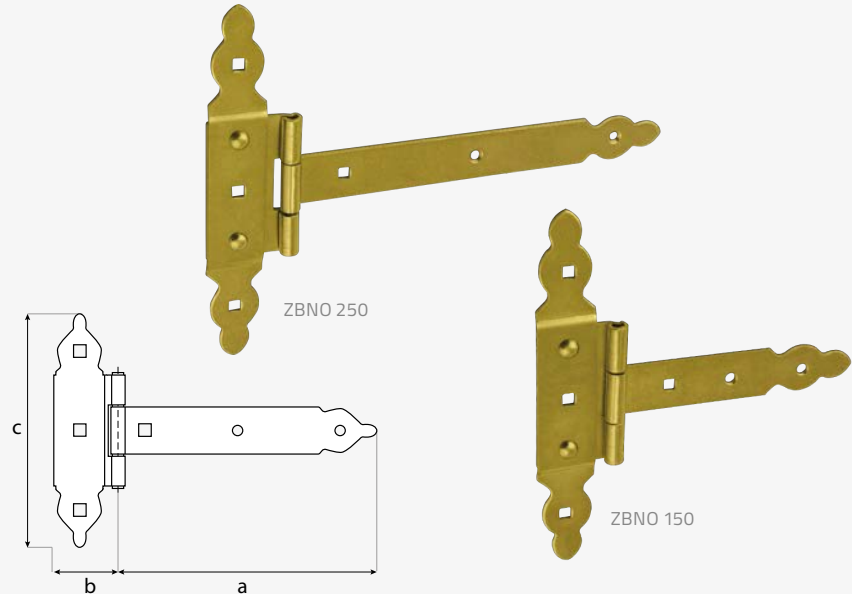
A decorative hinge with an overlay designed for constructing gates, wickets or shutters. The rustic-style finish gives the structure an elegant look and allows you to create interesting arrangements.

**Material**

DC01 + yellow galvanization.

**Mounting**

Wood screws  $\varnothing 5$ ; carriage bolts M6.



| name     | coat. | art no. | dimensions [mm] |    |     |     | holes [mm]      |             | weight [g] | pack [pcs] |
|----------|-------|---------|-----------------|----|-----|-----|-----------------|-------------|------------|------------|
|          |       |         | a               | b  | c   | ≠   | $\varnothing 5$ | $\square 7$ |            |            |
| ZBNO 150 | ●     | 8141    | 150             | 60 | 215 | 2,5 | 2               | 4           | 272        | 10         |
| ZBNO 250 | ●     | 8142    | 250             | 60 | 215 | 2,5 | 2               | 4           | 324        | 10         |

**coating:**

● yellow galvanization

# ZOK

Decorative gate hinge



**Application**

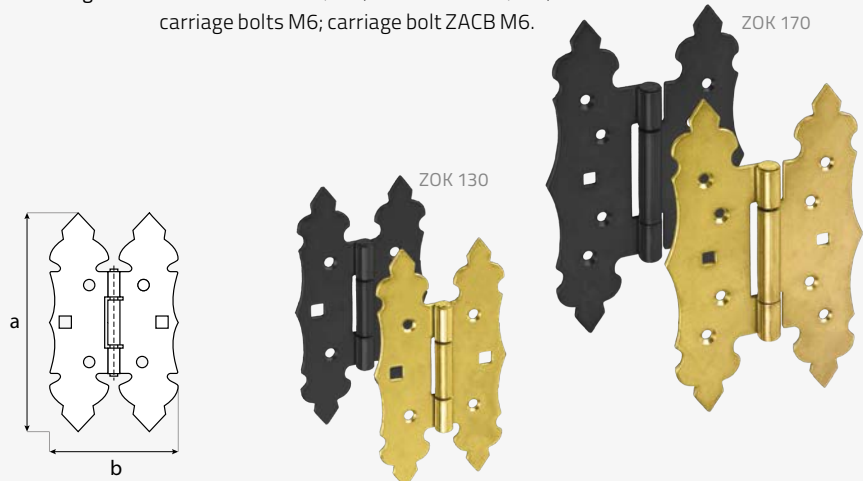
Decorative hinge designed to construct gates, wickets or shutters. The vertically elongated article will take up less space than a traditional gate hinge. The rustic-style finish gives the structure an elegant look and allows you to create interesting arrangements.

**Material**

DC01 + yellow galvanization; DUPLEX: DC01 + Z275 powder coated black.

**Mounting**

Wood screws  $\varnothing 4.5$ ; screw ZAS  $\varnothing 4.5$ ; carriage bolts M6; carriage bolt ZACB M6.



| name    | coat. | art no. | dimensions [mm] |     |     | holes [mm]      |             | weight [g] | pack [pcs] |
|---------|-------|---------|-----------------|-----|-----|-----------------|-------------|------------|------------|
|         |       |         | a               | b   | ≠   | $\varnothing 5$ | $\square 7$ |            |            |
| ZOK 130 | ●     | 7945206 | 130             | 70  | 2,0 | 4               | 2           | 121        | 10         |
|         | ■     | 7945202 | 130             | 70  | 2,0 | 4               | 2           | 121        | 10         |
| ZOK 170 | ●     | 7945216 | 170             | 105 | 2,5 | 8               | 2           | 291        | 10         |
|         | ■     | 7945212 | 170             | 105 | 2,5 | 8               | 2           | 291        | 10         |

**coating:**

● yellow galvanization

■ DUPLEX: DC01 + Z275 powder coated, black

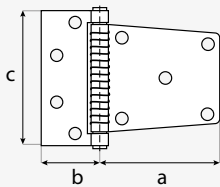
**Application** Reinforced black gate hinge with a compact shape. Perfect for installing gates. Equipped with an adjustable spring whose tension force can be increased or decreased using an Allen key.

**Material** DUPLEX: DC01 + Z275 powder coated black.

**Mounting** Wood screws  $\phi 6$ .



ZBC 85



| name   | coat. | art no. | dimensions [mm] |    |     |     | holes [mm] | weight [g] | pack [pcs] |
|--------|-------|---------|-----------------|----|-----|-----|------------|------------|------------|
|        |       |         | a               | b  | c   | ≠   | $\phi 7$   |            |            |
| ZBC 85 | ■     | 810712  | 85              | 52 | 100 | 2,5 | 9          | 700        | 10         |

**coating:**  
 ■ DUPLEX: DC01 + Z275 powder coated, black

## ZBC

Self-closing gate hinge



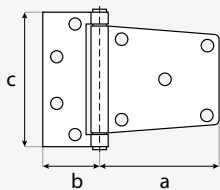
**Application** Reinforced black gate hinge with a compact shape. Perfect for installing gates.

**Material** DUPLEX: DC01 + Z275 powder coated black.

**Mounting** Wood screws  $\phi 6$ .



ZBS 85



| name   | coat. | art no. | dimensions [mm] |    |     |     | holes [mm] | weight [g] | pack [pcs] |
|--------|-------|---------|-----------------|----|-----|-----|------------|------------|------------|
|        |       |         | a               | b  | c   | ≠   | $\phi 7$   |            |            |
| ZBS 85 | ■     | 810722  | 85              | 52 | 100 | 2,5 | 9          | 700        | 10         |

**coating:**  
 ■ DUPLEX: DC01 + Z275 powder coated, black

## ZBS

Gate hinge





# ZNW

## Corner hinge kit

**Application**

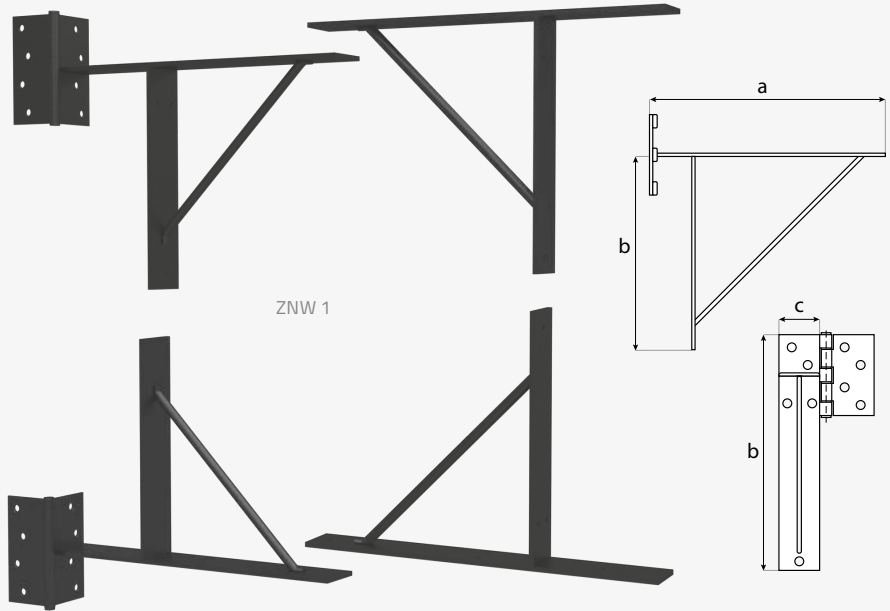
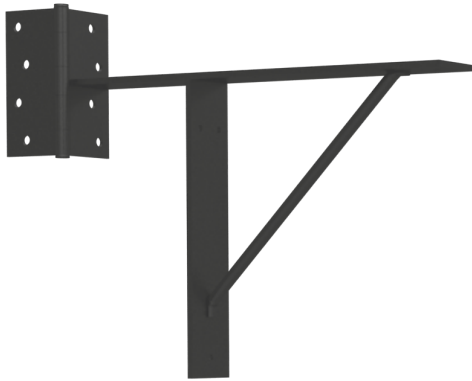
A four-element set for building a wicket or shutter. It consists of 2 regular brackets and 2 brackets with a built-in hinge. It allows you to make a complete frame - just prepare the wooden beams and fix the set with screws.

**Material**

DUPLEX: S235 + Z275 powder coated, black.

**Mounting**

Wood screws  $\phi 4$ ,  $\phi 6$ .



| name  | coat. | art no. | dimensions [mm] |     |    |     | holes [mm] |          | weight [g] | pack [pcs] |
|-------|-------|---------|-----------------|-----|----|-----|------------|----------|------------|------------|
|       |       |         | a               | b   | c  | ≠   | $\phi 4$   | $\phi 6$ |            |            |
| ZNW 1 | ■     | 8272    | 300             | 200 | 38 | 3,0 | 28         | 16       | 2800       | 10         |

**coating:**

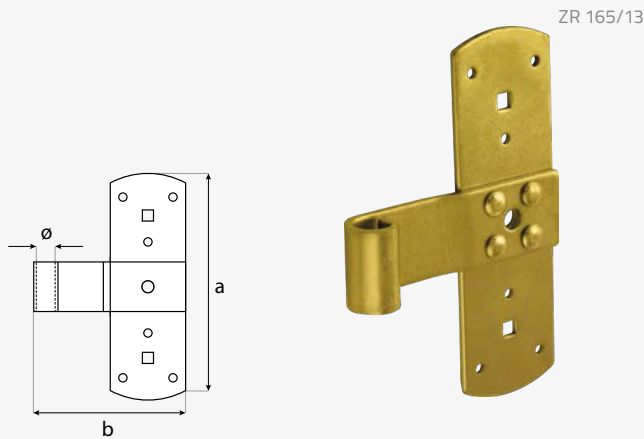
■ DUPLEX: S235 + Z275 powder coated, black



**Application** Frame hinge designed for the installation of shutters. The bent part of the element is used to put the door leaf, wicket or shutter on the pintle handle.

**Material** DC01 + yellow galvanization.

**Mounting** Wood screws  $\varnothing 4$ ,  $\varnothing 8$ ; carriage bolts M6.



| name      | coat. | art no. | dimensions [mm] |     |               |        | holes [mm]      |                 |             | weight [g] | pack [pcs] |
|-----------|-------|---------|-----------------|-----|---------------|--------|-----------------|-----------------|-------------|------------|------------|
|           |       |         | a               | b   | $\varnothing$ | $\neq$ | $\varnothing 4$ | $\varnothing 9$ | $\square 7$ |            |            |
| ZR 165/13 | ●     | 8261    | 165             | 110 | 13            | 3,0    | 6               | 1               | 2           | 343        | 10         |

**coating:**  
● yellow galvanization

## ZR

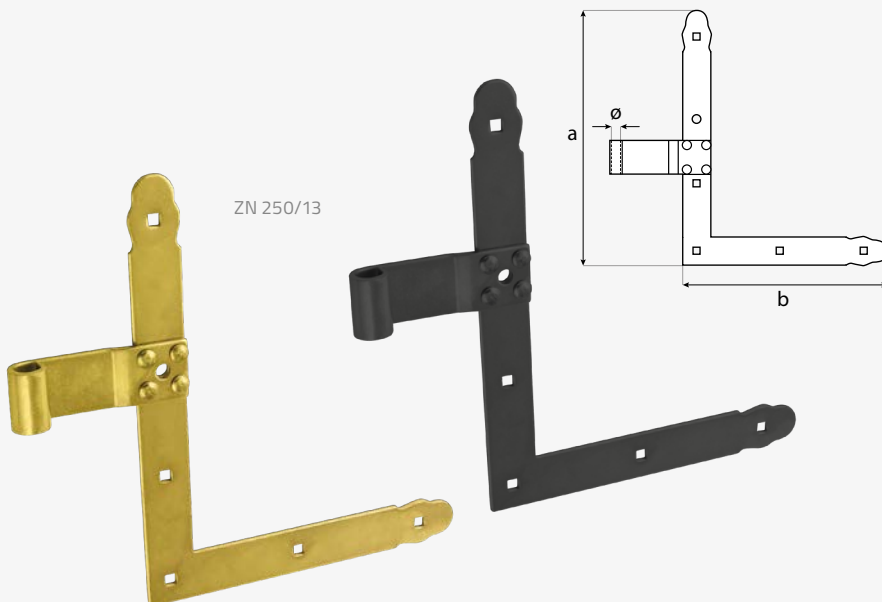
### T-type hinge



**Application** Hinge with a decorative finish designed for mounting gates, wickets or shutters. It creates an additional frame and strengthens the entire structure. The bent part of the element is used to put the structure on pin.

**Material** DC01 + yellow galvanization; DUPLEX: DC01 + Z275 powder coated black.

**Mounting** Wood screws  $\varnothing 8$ ; carriage bolts M6; carriage bolt ZACB M6.



| name          | coat. | art no. | dimensions [mm] |     |               |        | holes [mm]      |             | weight [g] | pack [pcs] |
|---------------|-------|---------|-----------------|-----|---------------|--------|-----------------|-------------|------------|------------|
|               |       |         | a               | b   | $\varnothing$ | $\neq$ | $\varnothing 9$ | $\square 7$ |            |            |
| ZN 250/13 L+R | ●     | 8271    | 250             | 200 | 13            | 3,0    | 1               | 5           | 904        | 5          |
|               | ■     | 82712   | 250             | 200 | 13            | 3,0    | 1               | 5           | 904        | 5          |

**coating:**  
● yellow galvanization  
■ DUPLEX: DC01 + Z275 powder coated, black

## ZN

### Corner hinge



# ZNO

## Corner hinge



**Application**

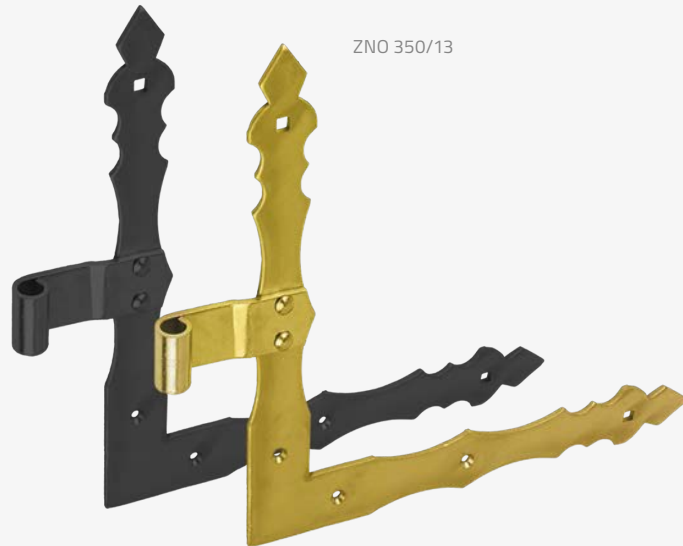
Hinge with a decorative finish in a rustic style, designed for mounting wickets or shutters. It creates an additional frame and strengthens the entire structure. The bent part of the element is used to put the structure on pin.

**Material**

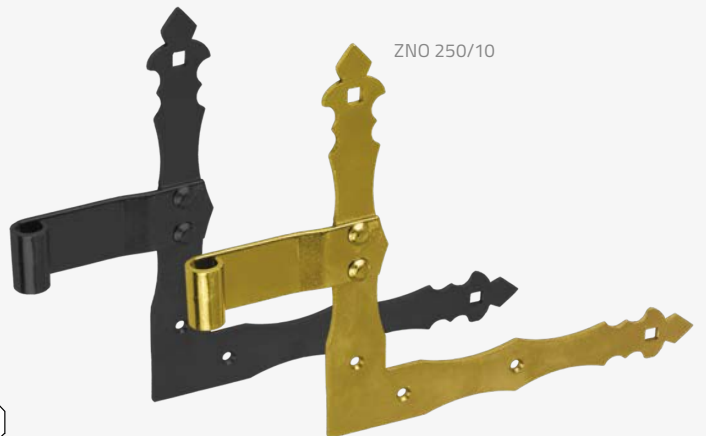
DC01 + yellow galvanization; DUPLEX: DC01 + Z275 powder coated black.

**Mounting**

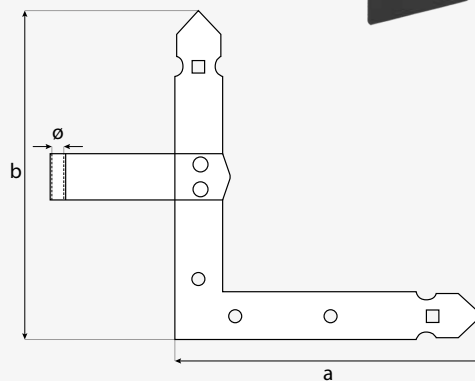
Wood screws  $\varnothing 5$ ; screw ZAS  $\varnothing 4.5$ ; carriage bolts M6; carriage bolt ZACB M6.



ZNO 350/13



ZNO 250/10



| name           | coat. | art no. | dimensions [mm] |     |               |        | holes [mm]      |             | weight [g] | pack [pcs] |
|----------------|-------|---------|-----------------|-----|---------------|--------|-----------------|-------------|------------|------------|
|                |       |         | a               | b   | $\varnothing$ | $\neq$ | $\varnothing 5$ | $\square 7$ |            |            |
| ZNO 250/10 L+R | ●     | 82731   | 250             | 200 | 10            | 3,0    | 6               | 4           | 566        | 5          |
|                | ■     | 827312  | 250             | 200 | 10            | 3,0    | 6               | 4           | 566        | 5          |
| ZNO 350/13 L+R | ●     | 82732   | 350             | 300 | 13            | 4,0    | 6               | 4           | 1252       | 5          |
|                | ■     | 827322  | 350             | 300 | 13            | 4,0    | 6               | 4           | 1252       | 5          |

**coating:**

- yellow galvanization
- DUPLEX: DC01 + Z275 powder coated, black

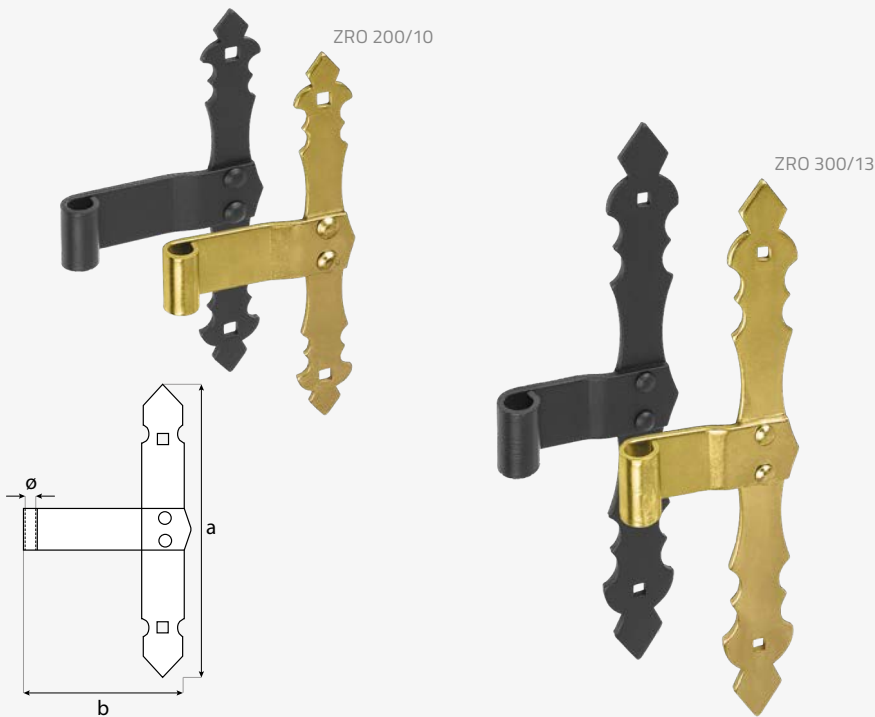


**Application** A frame hinge with a decorative finish in a rustic style, designed for mounting gates or shutters. The bent part of the element is used to put the structure on the pin.

**Material** DC01 + yellow galvanization; DUPLEX: DC01 + Z275 powder coated, black.  
**Mounting** Carriage bolts M6; carriage bolt ZACB M6.

## ZRO

T-type hinge



| name       | coat. | art no. | dimensions [mm] |     |    |     | holes [mm] |     | weight [g] | pack [pcs] |
|------------|-------|---------|-----------------|-----|----|-----|------------|-----|------------|------------|
|            |       |         | a               | b   | ø  | ≠   | □7         |     |            |            |
| ZRO 200/10 | ●     | 82621   | 200             | 100 | 10 | 3,0 | 2          | 183 | 10         |            |
|            | ■     | 826212  | 200             | 100 | 10 | 3,0 | 2          | 183 | 10         |            |
| ZRO 300/13 | ●     | 82622   | 300             | 100 | 13 | 4,0 | 2          | 405 | 10         |            |
|            | ■     | 826222  | 300             | 100 | 13 | 4,0 | 2          | 405 | 10         |            |

**coating:**

- yellow galvanization
- DUPLEX: DC01 + Z275 powder coated, black



ZP

Strap hinge

**Application** Strong and durable strap hinge, ideal for mounting gates or doors. Requires the use of a pin on which the hinge is placed.

**Material** S235 + yellow galvanization; S235 + powder coated black.

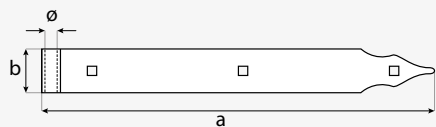
**Mounting** Wood screws  $\varnothing 6$ ; carriage bolts M6, M8; carriage bolt ZACB M6, M8.





## ZP

### Strap hinge



| name      | coat. | art no. | dimensions [mm] |    |    |     | holes [mm] |    |    | weight [g] | pack [pcs] |
|-----------|-------|---------|-----------------|----|----|-----|------------|----|----|------------|------------|
|           |       |         | a               | b  | ø  | ≠   | ø7         | □7 | □9 |            |            |
| ZP 300/10 | ●     | 8201    | 300             | 30 | 10 | 3,0 | 2          | 1  | -  | 223        | 10         |
|           | ●     | 82012   | 300             | 30 | 10 | 3,0 | 2          | 1  | -  | 223        | 10         |
| ZP 400/10 | ●     | 8202    | 400             | 30 | 10 | 3,0 | 2          | 1  | -  | 289        | 10         |
|           | ●     | 82022   | 400             | 30 | 10 | 3,0 | 2          | 1  | -  | 289        | 10         |
| ZP 300/13 | ●     | 8203    | 300             | 35 | 13 | 4,0 | -          | -  | 3  | 327        | 10         |
|           | ●     | 82032   | 300             | 35 | 13 | 4,0 | -          | -  | 3  | 327        | 10         |
| ZP 400/13 | ●     | 8204    | 400             | 35 | 13 | 4,0 | -          | -  | 3  | 452        | 10         |
|           | ●     | 82042   | 400             | 35 | 13 | 4,0 | -          | -  | 3  | 452        | 10         |
| ZP 500/13 | ●     | 8205    | 500             | 35 | 13 | 4,0 | -          | -  | 4  | 561        | 10         |
|           | ●     | 82052   | 500             | 35 | 13 | 4,0 | -          | -  | 4  | 561        | 10         |
| ZP 600/13 | ●     | 8206    | 600             | 35 | 13 | 4,0 | -          | -  | 4  | 654        | 10         |
|           | ●     | 82062   | 600             | 35 | 13 | 4,0 | -          | -  | 4  | 654        | 10         |
| ZP 500/16 | ●     | 8207    | 500             | 40 | 16 | 5,0 | -          | -  | 4  | 720        | 10         |
|           | ●     | 82072   | 500             | 40 | 16 | 5,0 | -          | -  | 4  | 720        | 10         |
| ZP 600/16 | ●     | 8208    | 600             | 40 | 16 | 5,0 | -          | -  | 4  | 857        | 10         |
|           | ●     | 82082   | 600             | 40 | 16 | 5,0 | -          | -  | 4  | 857        | 10         |
| ZP 800/16 | ●     | 8209    | 800             | 40 | 16 | 5,0 | -          | -  | 5  | 1166       | 10         |
|           | ●     | 82092   | 800             | 40 | 16 | 5,0 | -          | -  | 5  | 1166       | 10         |

**coating:**

- yellow galvanization
- powder coated, black





# ZPK

## Cranked strap hinge

**Application** Strong and durable strap hinge with an offset, ideal for mounting gates, wickets or doors. The bent shape enables flushing the sash of the mounted element with the frame. Requires the use of a pin on which the hinge is placed.

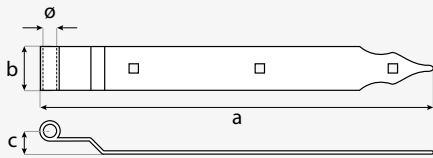
**Material** S235 + yellow galvanization; S235 + powder coated black.

**Mounting** Wood screws  $\varnothing 5$ ,  $\varnothing 6$ ; screw ZAS  $\varnothing 4.5$ ; carriage bolts M6, M8; carriage bolt ZACB M6, M8.



## ZPK

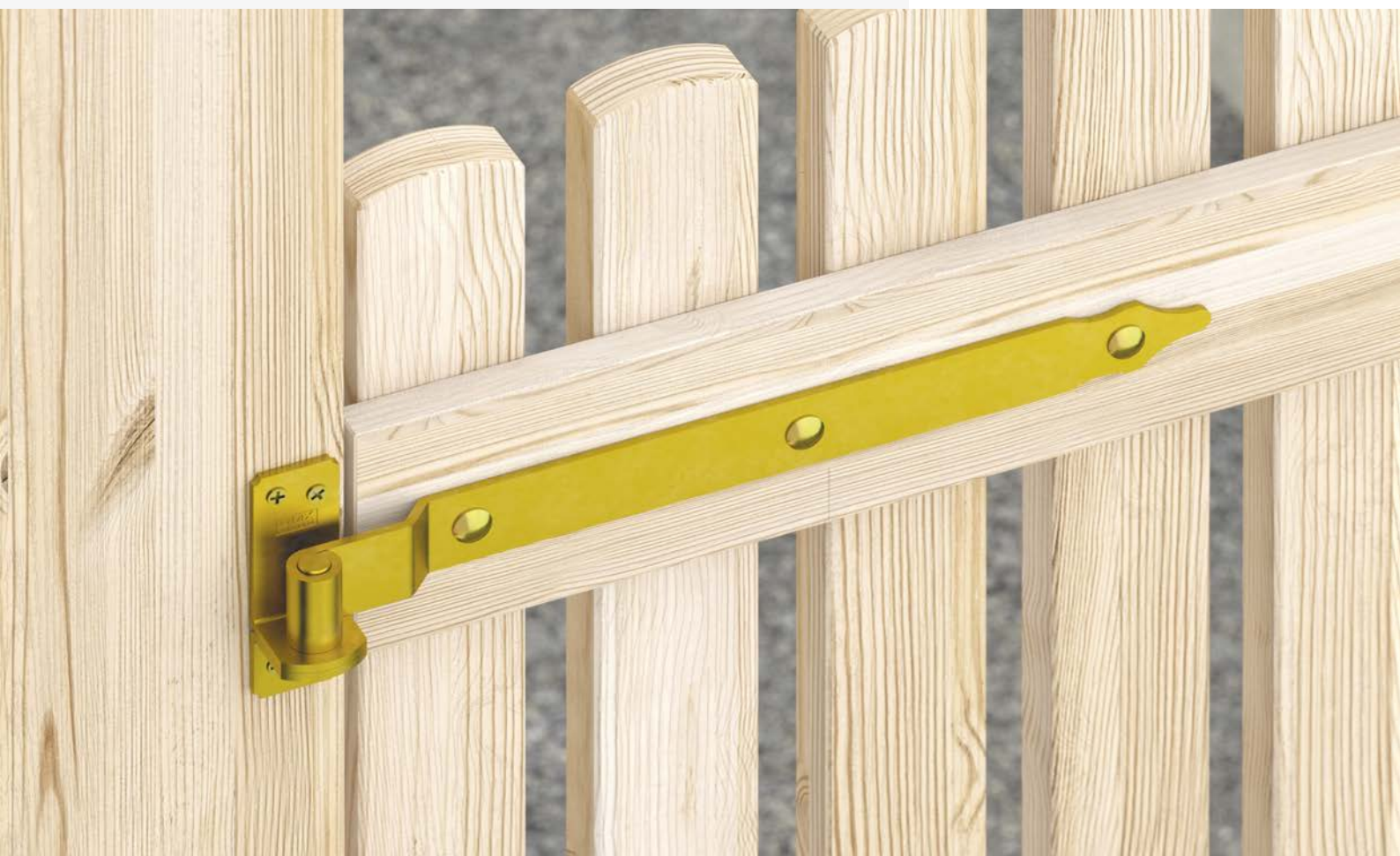
Cranked  
strap hinge



| name       | coat. | art no. | dimensions [mm] |    |      |    |     | holes [mm] |    |    |   | weight [g] | pack [pcs] |
|------------|-------|---------|-----------------|----|------|----|-----|------------|----|----|---|------------|------------|
|            |       |         | a               | b  | c    | ∅  | ≠   | ∅5         | ∅7 | ∅9 |   |            |            |
| ZPK 63/10  | ●     | 8220    | 63              | 30 | 30,5 | 10 | 3,0 | 3          | -  | -  | - | 81         | 10         |
|            | ●     | 82202   | 63              | 30 | 30,5 | 10 | 3,0 | 3          | -  | -  | - | 81         | 10         |
| ZPK 300/10 | ●     | 8221    | 300             | 30 | 19   | 10 | 3,0 | -          | 2  | 1  | - | 223        | 10         |
|            | ●     | 82212   | 300             | 30 | 19   | 10 | 3,0 | -          | 2  | 1  | - | 223        | 10         |
| ZPK 400/10 | ●     | 8222    | 400             | 30 | 19   | 10 | 3,0 | -          | 2  | 1  | - | 289        | 10         |
|            | ●     | 82222   | 400             | 30 | 19   | 10 | 3,0 | -          | 2  | 1  | - | 289        | 10         |
| ZPK 300/13 | ●     | 8223    | 300             | 35 | 21,5 | 13 | 4,0 | -          | -  | -  | 3 | 327        | 10         |
|            | ●     | 82232   | 300             | 35 | 21,5 | 13 | 4,0 | -          | -  | -  | 3 | 327        | 10         |
| ZPK 400/13 | ●     | 8224    | 400             | 35 | 21,5 | 13 | 4,0 | -          | -  | -  | 3 | 452        | 10         |
|            | ●     | 82242   | 400             | 35 | 21,5 | 13 | 4,0 | -          | -  | -  | 3 | 452        | 10         |
| ZPK 500/13 | ●     | 8225    | 500             | 35 | 21,5 | 13 | 4,0 | -          | -  | -  | 4 | 561        | 10         |
|            | ●     | 82252   | 500             | 35 | 21,5 | 13 | 4,0 | -          | -  | -  | 4 | 561        | 10         |
| ZPK 600/13 | ●     | 8226    | 600             | 35 | 21,5 | 13 | 4,0 | -          | -  | -  | 4 | 654        | 10         |
|            | ●     | 82262   | 600             | 35 | 21,5 | 13 | 4,0 | -          | -  | -  | 4 | 654        | 10         |
| ZPK 500/16 | ●     | 8227    | 500             | 40 | 23   | 16 | 5,0 | -          | -  | -  | 4 | 720        | 10         |
|            | ●     | 82272   | 500             | 40 | 23   | 16 | 5,0 | -          | -  | -  | 4 | 720        | 10         |
| ZPK 600/16 | ●     | 8228    | 600             | 40 | 23   | 16 | 5,0 | -          | -  | -  | 4 | 857        | 10         |
|            | ●     | 82282   | 600             | 40 | 23   | 16 | 5,0 | -          | -  | -  | 4 | 857        | 10         |
| ZPK 800/16 | ●     | 8229    | 800             | 40 | 23   | 16 | 5,0 | -          | -  | -  | 5 | 1166       | 10         |
|            | ●     | 82292   | 800             | 40 | 23   | 16 | 5,0 | -          | -  | -  | 5 | 1166       | 10         |

**coating:**

- yellow galvanization
- powder coated, black



C

Hinge pin



**Application** Strong and durable hinge pin. Intended for use with various types of hinges adapted to be put on it.

**Material** S235 + yellow galvanization; DUPLEX: S235 + Z275 powder coated black.

**Mounting** Wood screws  $\varnothing 5$ ,  $\varnothing 6$ ; screw ZAS  $\varnothing 4.5$ .



C 16/25



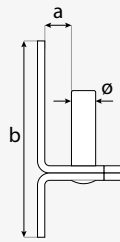
C 16/11



C 13/25



C 13/11



C 10/25



C 10/11



| name    | coat. | art no. | dimensions [mm] |     |               |        | holes [mm]      |                 | weight [g] | pack [pcs] |
|---------|-------|---------|-----------------|-----|---------------|--------|-----------------|-----------------|------------|------------|
|         |       |         | a               | b   | $\varnothing$ | $\neq$ | $\varnothing 5$ | $\varnothing 6$ |            |            |
| C 10/11 | ●     | 8301    | 11              | 81  | 10            | 3,0    | 4               | -               | 113        | 10         |
|         | ■     | 83012   | 11              | 81  | 10            | 3,0    | 4               | -               | 113        | 10         |
| C 10/25 | ●     | 8302    | 25              | 86  | 10            | 3,0    | 4               | -               | 137        | 10         |
|         | ■     | 83022   | 25              | 86  | 10            | 3,0    | 4               | -               | 137        | 10         |
| C 13/11 | ●     | 8303    | 11              | 104 | 13            | 4,0    | -               | 4               | 204        | 10         |
|         | ■     | 83032   | 11              | 104 | 13            | 4,0    | -               | 4               | 204        | 10         |
| C 13/25 | ●     | 8304    | 25              | 103 | 13            | 4,0    | -               | 4               | 235        | 10         |
|         | ■     | 83042   | 25              | 103 | 13            | 4,0    | -               | 4               | 235        | 10         |
| C 16/11 | ●     | 8305    | 11              | 120 | 16            | 4,0    | -               | 4               | 280        | 10         |
|         | ■     | 83052   | 11              | 120 | 16            | 4,0    | -               | 4               | 280        | 10         |
| C 16/25 | ●     | 8306    | 25              | 130 | 16            | 4,0    | -               | 4               | 318        | 10         |
|         | ■     | 83062   | 25              | 130 | 16            | 4,0    | -               | 4               | 318        | 10         |

**coating:**  
 ● yellow galvanization  
 ■ DUPLEX: S235 + Z275 powder coated, black



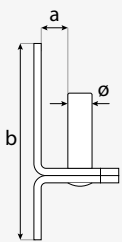
**Application** Strong and durable hinge pin with a decorative rustic finish giving the structure an elegant look. Intended for use with various types of hinges adapted to be put on.

**Material** S235 + yellow galvanization; DUPLEX: S235 + Z275 powder coated black.

**Mounting** Wood screws  $\phi 5$ ; screw ZAS  $\phi 4.5$ .

## UCO

### Decorative hinge pin



| name      | coat. | art no. | dimensions [mm] |     |        |        | holes [mm] |     | weight [g] | pack [pcs] |
|-----------|-------|---------|-----------------|-----|--------|--------|------------|-----|------------|------------|
|           |       |         | a               | b   | $\phi$ | $\neq$ | $\phi 5$   |     |            |            |
| UCO 10/11 | ●     | 83101   | 11              | 120 | 10     | 3,0    | 4          | 113 | 10         |            |
|           | ■     | 831012  | 11              | 120 | 10     | 3,0    | 4          | 113 | 10         |            |
| UCO 13/11 | ●     | 83102   | 11              | 120 | 13     | 4,0    | 4          | 163 | 10         |            |
|           | ■     | 831022  | 11              | 120 | 13     | 4,0    | 4          | 163 | 10         |            |

**coating:**

- yellow galvanization
- DUPLEX: S235 + Z275 powder coated, black



# CM

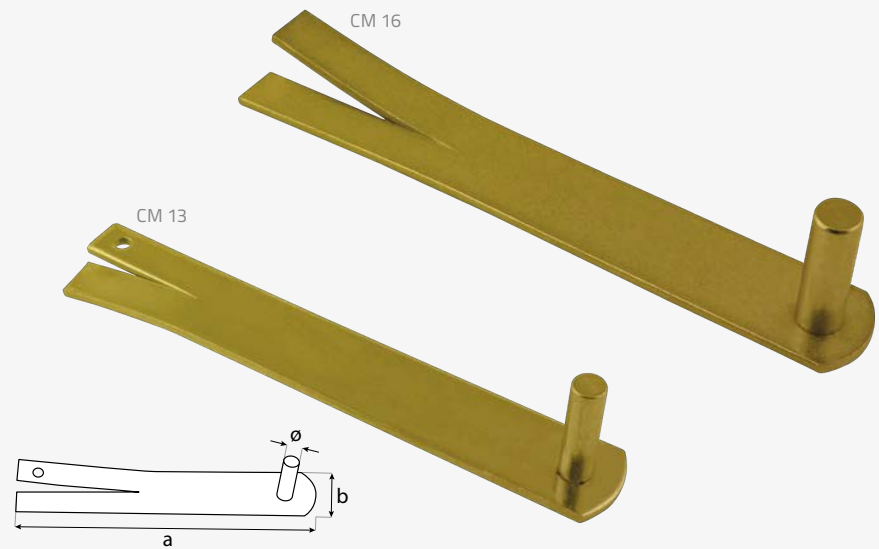
Concrete-in hinge pin



**Application** Hinge pin to be installed in concrete. Provides an extremely durable connection. Intended for use with various types of hinges adapted to be put on it.

**Material** S235 + yellow galvanization.

**Mounting** Wall mount.



| name  | coat. | art no. | dimensions [mm] |    |    |     | weight [g] | pack [pcs] |
|-------|-------|---------|-----------------|----|----|-----|------------|------------|
|       |       |         | a               | b  | ø  | ≠   |            |            |
| CM 13 | ●     | 8343    | 255             | 40 | 13 | 5,0 | 386        | 10         |
| CM 16 | ●     | 8345    | 255             | 44 | 16 | 6,0 | 477        | 10         |

**coating:**  
● yellow galvanization

# CW

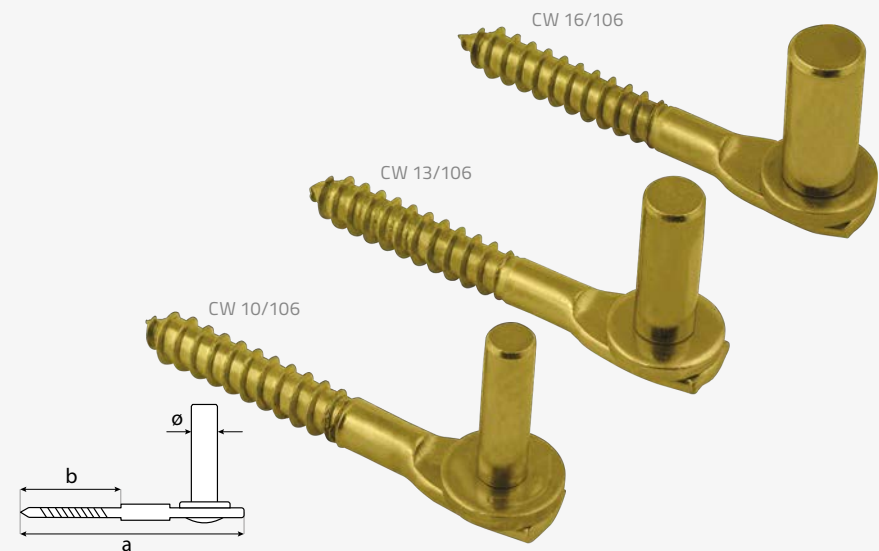
Screw-in hinge pin



**Application** Hinge pin for screwing into wooden structures. It has a discreet appearance and minimizes the visibility of the fixing. Intended for use with various types of hinges adapted to be put on.

**Material** DC01 + yellow galvanization.

**Mounting** Installation after drilling a hole.



| name      | coat. | art no. | dimensions [mm] |    |    | weight [g] | pack [pcs] |
|-----------|-------|---------|-----------------|----|----|------------|------------|
|           |       |         | a               | b  | ø  |            |            |
| CW 10/106 | ●     | 8309    | 106             | 48 | 10 | 112        | 10         |
| CW 13/106 | ●     | 8308    | 106             | 48 | 13 | 130        | 10         |
| CW 16/106 | ●     | 8307    | 106             | 48 | 16 | 145        | 10         |

**coating:**  
● yellow galvanization

**Application** Adjustable screw-on hinge, perfect for constructing metal gates and wickets. Allows you to adjust the distance from the screwed surface.

**Material** DC01 + yellow galvanization.

**Mounting** M10 metric screws; ring anchor PBK M10; concrete screw PBW 10.5.



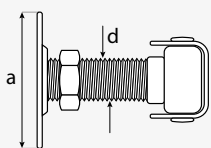
ZRDP 20/100



ZRDP 18/90

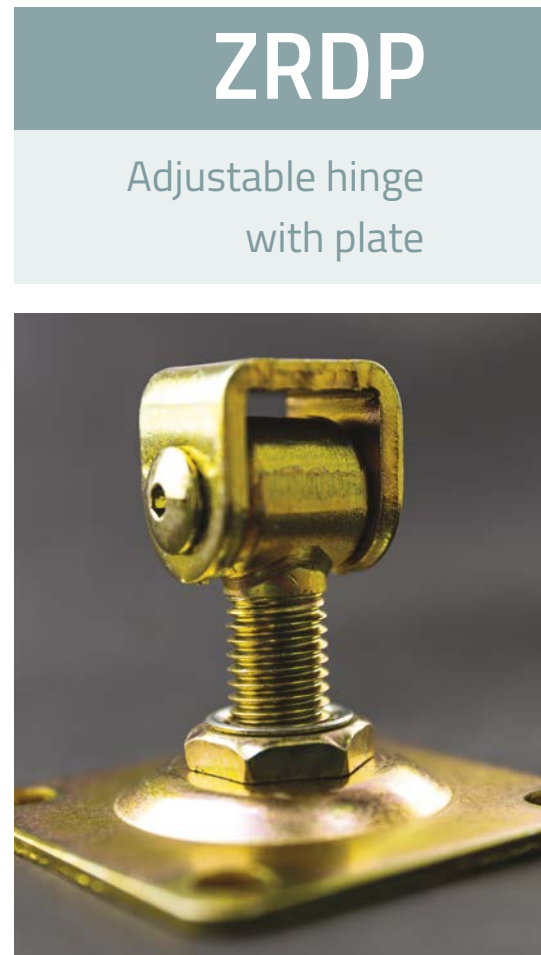


ZRDP 16/80



| name        | coat. | art no. | dimensions [mm] |     |     | holes [mm] |       | weight [g] | pack [pcs] |
|-------------|-------|---------|-----------------|-----|-----|------------|-------|------------|------------|
|             |       |         | a               | d   | ≠   | ø10,5      | ø11,5 |            |            |
| ZRDP 16/80  | ●     | 8421    | 80              | M16 | 4,0 | 4          | –     | 479        | 6          |
| ZRDP 18/90  | ●     | 8424    | 90              | M18 | 4,0 | –          | 4     | 577        | 6          |
| ZRDP 20/100 | ●     | 8423    | 100             | M20 | 4,0 | –          | 4     | 733        | 6          |

**coating:**  
● yellow galvanization



## ZRDP

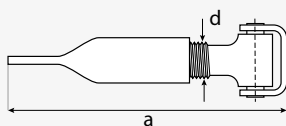
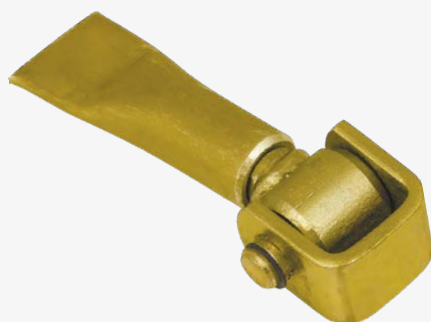
Adjustable hinge with plate

**Application** Hinge designed for mounting metal gates or wickets. The head of the article should be welded in and the fixing part should be embedded in the wall. A threaded rod allows you to adjust the distance between the joined surfaces.

**Material** DC01 + yellow galvanization.

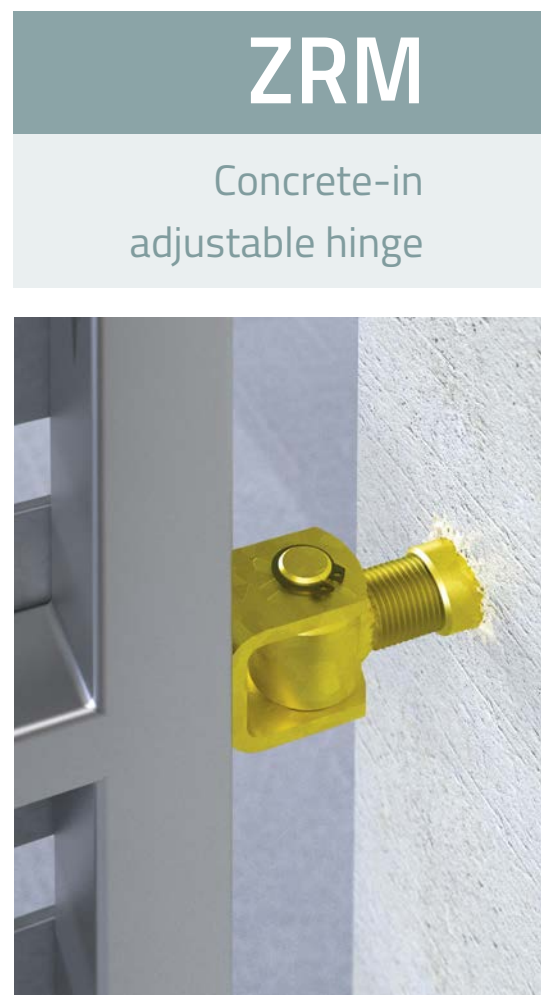
**Mounting** One end to be built in, the other to be welded in.

ZRM 20



| name   | coat. | art no. | dimensions [mm] |     | weight [g] | pack [pcs] |
|--------|-------|---------|-----------------|-----|------------|------------|
|        |       |         | a               | d   |            |            |
| ZRM 20 | ●     | 8425    | 160             | M20 | 527        | 2          |

**coating:**  
● yellow galvanization



## ZRM

Concrete-in adjustable hinge



# ZRS

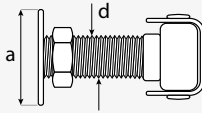
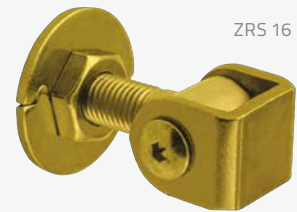
Weldable,  
adjustable hinge



**Application** Hinge designed for mounting metal gates or wickets. The detail should be welded on both sides. A threaded rod allows you to adjust the distance between the joined planes.

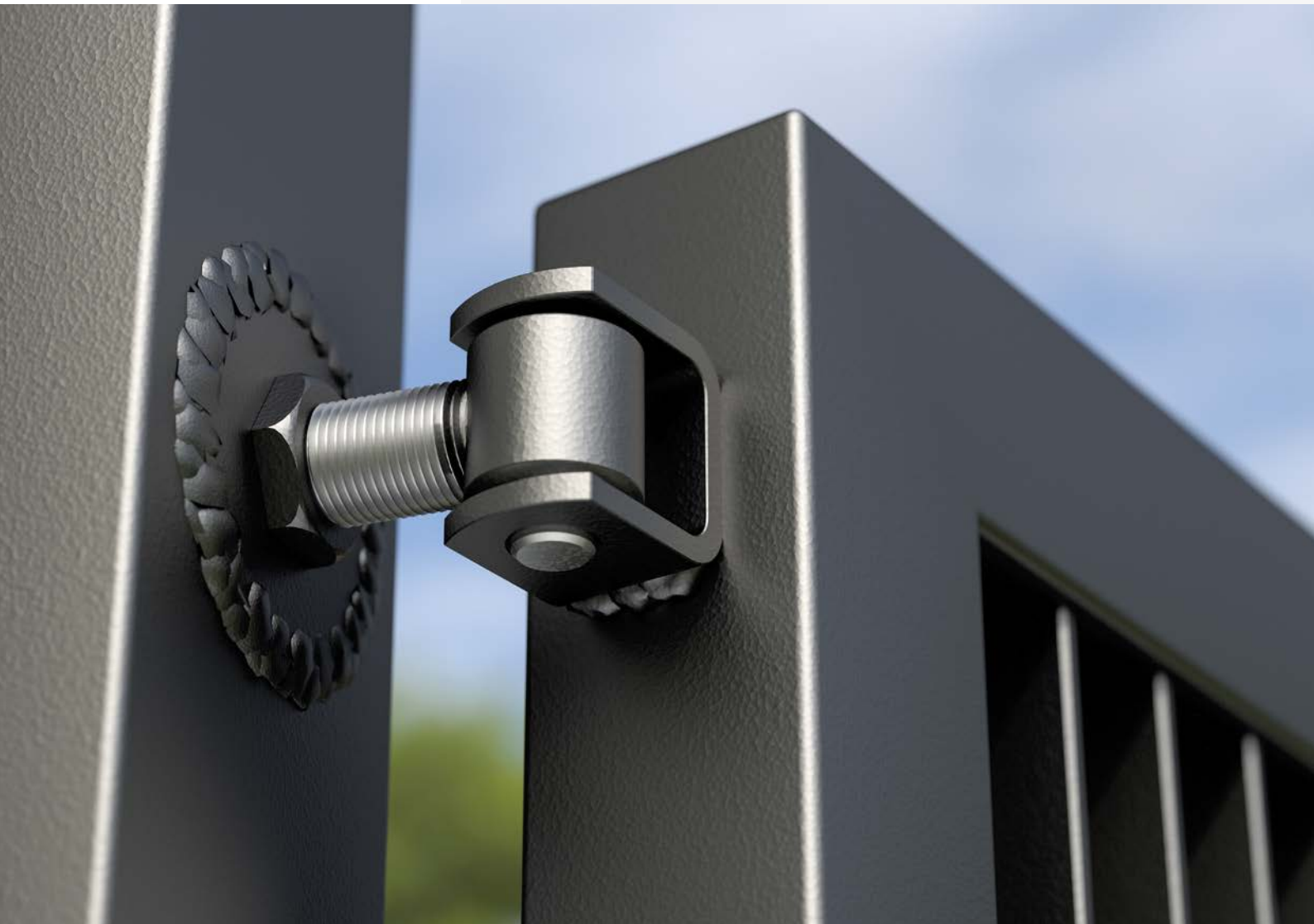
**Material** DC01 + yellow galvanization.

**Mounting** Hinge for double-sided welding.



| name   | coat. | art no. | dimensions [mm] |     |     | weight [g] | pack [pcs] |
|--------|-------|---------|-----------------|-----|-----|------------|------------|
|        |       |         | a               | d   | ≠   |            |            |
| ZRS 16 | ●     | 8420    | 50              | M16 | 4,0 | 354        | 6          |
| ZRS 20 | ●     | 8422    | 50              | M20 | 4,0 | 480        | 6          |

coating:  
● yellow galvanization

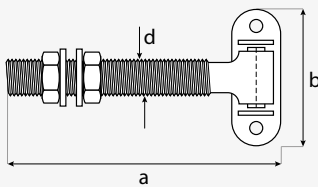


**Application** Hinge designed for mounting metal gates or wickets. Fixed by screwing the head to the wood on one side, drilling a hole on the other and locking the threaded rod with a nut. A threaded rod allows you to adjust the distance between the joined surfaces.

**Material** DC01 + silver galvanization.

**Mounting** Mounting of the head plate with M10 metric screws, the threaded part fastened through the profile.

ZRS 16/130



| name       | coat. | art no. | dimensions [mm] |    |     | holes [mm] | weight [g] | pack [pcs] |
|------------|-------|---------|-----------------|----|-----|------------|------------|------------|
|            |       |         | a               | b  | d   | ∅10        |            |            |
| ZRW 16/130 | ●     | 8427    | 115             | 40 | M16 | 2          | 643        | 6          |

**coating:**  
● silver galvanization

## ZRW 16

Multi adjustable hinge

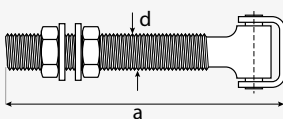
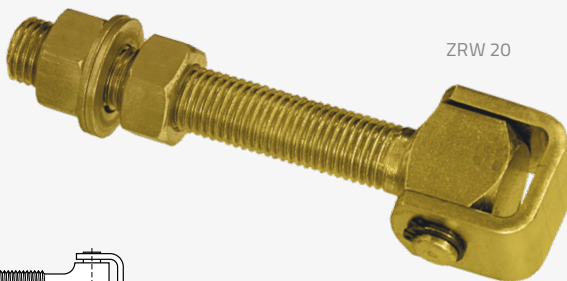


**Application** Hinge designed for mounting metal gates or wickets. Fixed by welding the head on one side, drilling a hole on the other side and locking the threaded rod with a nut. A threaded rod allows you to adjust the distance between the joined surfaces.

**Material** DC01 + yellow galvanization.

**Mounting** Welding head, threaded part mounted through the profile.

ZRW 20



| name   | coat. | art no. | dimensions [mm] |     |     | weight [g] | pack [pcs] |
|--------|-------|---------|-----------------|-----|-----|------------|------------|
|        |       |         | a               | d   | ∅   |            |            |
| ZRW 20 | ●     | 8426    | 170             | M20 | 5,0 | 632        | 6          |

**coating:**  
● yellow galvanization

## ZRW 20

Multi adjustable hinge



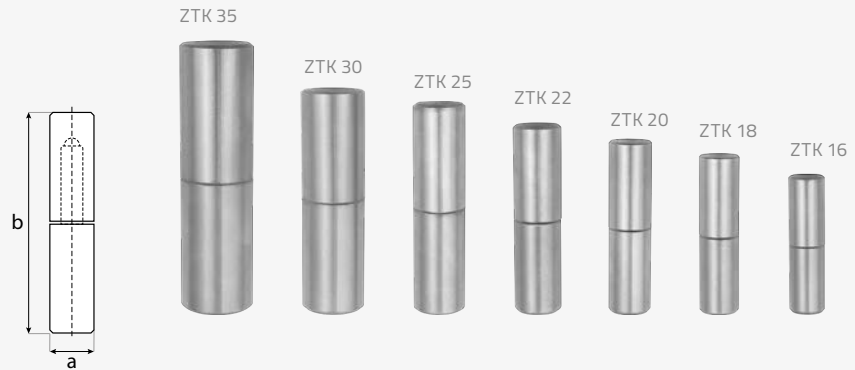
# ZTK

Weldable hinge with the ball



**Application**  
**Material**  
**Mounting**

Two-piece weldable hinge with a ball. Designed for assembly by welding metal gates, wickets or flaps.  
S235 + oil film.  
Hinge for double-sided welding.



| name   | coat. | art no. | dimensions [mm] |     | weight [g] | pack [pcs] |
|--------|-------|---------|-----------------|-----|------------|------------|
|        |       |         | a               | b   |            |            |
| ZTK 16 | ●     | 8402    | 16              | 65  | 100        | 10         |
| ZTK 18 | ●     | 8403    | 18              | 70  | 136        | 10         |
| ZTK 20 | ●     | 8404    | 20              | 80  | 191        | 10         |
| ZTK 22 | ●     | 8405    | 22              | 90  | 261        | 10         |
| ZTK 25 | ●     | 8406    | 25              | 100 | 377        | 10         |
| ZTK 30 | ●     | 8408    | 30              | 110 | 595        | 10         |
| ZTK 35 | ●     | 8409    | 35              | 130 | 960        | 10         |

coating:  
● oil film

# ZASK

Weldable hinge



**Application**  
**Material**  
**Mounting**

Three-element weldable hinge. Designed for assembly by welding metal gates, wickets or flaps.  
S235 + oil film.  
Hinge for double-sided welding.



| name       | coat. | art no. | dimensions [mm] |    |    |    | weight [g] | pack [pcs] |
|------------|-------|---------|-----------------|----|----|----|------------|------------|
|            |       |         | a               | b  | c  | d  |            |            |
| ZASK 20    | ●     | 79491   | 20              | 84 | 28 | –  | 200        | 1          |
| ZASK 20/17 | ●     | 79492   | 20              | 84 | 28 | 17 | 222        | 1          |
| ZASK 20/31 | ●     | 79493   | 20              | 84 | 28 | 31 | 269        | 1          |

coating:  
● oil film



**Application** Detachable hinge designed for assembly by welding metal gates, wickets or flaps. Designed specifically to allow easy disassembly of the structure.

**Material** DC01 + oil film.

**Mounting** Hinge for double-sided welding.



| name    | coat. | art no. | dimensions [mm] |     |     | weight [g] | pack [pcs] |
|---------|-------|---------|-----------------|-----|-----|------------|------------|
|         |       |         | a               | b   | ≠   |            |            |
| ZMP 60  | ●     | 805801  | 30              | 60  | 2,5 | 87         | 10         |
| ZMP 70  | ●     | 805802  | 30              | 70  | 3,0 | 110        | 10         |
| ZMP 110 | ●     | 805803  | 30              | 110 | 3,5 | 123        | 10         |

**coating:**  
● oil film

## ZMP

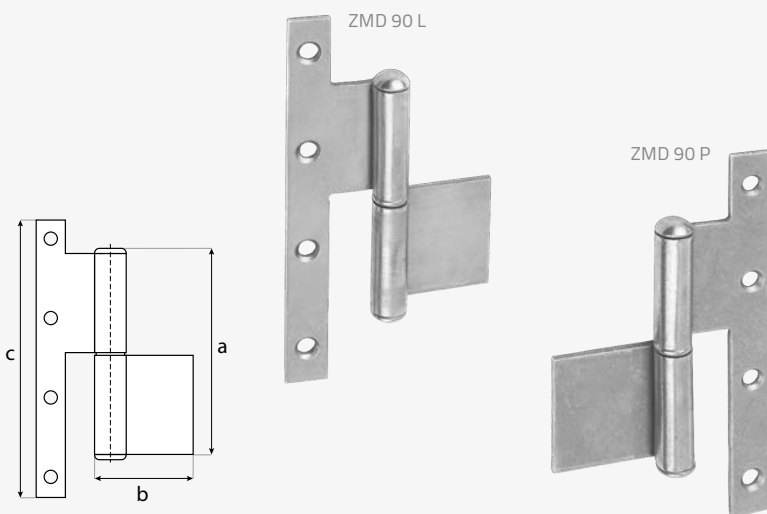
Weldable lift-off hinge



**Application** Detachable hinge designed for mounting gates, wickets or flaps by welding on one side (steel) and screwing on the other (wood). Designed specifically to allow easy disassembly of the structure.

**Material** DC01 + oil film.

**Mounting** Hinge for welding, it is possible to screw on one side with screws  $\varnothing 5.5$ , metric screws  $\varnothing 5$ .



| name     | coat. | art no. | dimensions [mm] |    |     |     | holes [mm]      | weight [g] | pack [pcs] |
|----------|-------|---------|-----------------|----|-----|-----|-----------------|------------|------------|
|          |       |         | a               | b  | c   | ≠   | $\varnothing 6$ |            |            |
| ZMD 90 L | ●     | 805811  | 90              | 45 | 140 | 2,8 | 4               | 170        | 10         |
| ZMD 90 P | ●     | 805812  | 90              | 45 | 140 | 2,8 | 4               | 170        | 10         |

**coating:**  
● oil film

## ZMD

Lift-off hinge



# ZRB

Weldable,  
adjustable hinge

**Application** Hinge designed for mounting metal gates or wickets. Fixed by welding the head on one side and a metal plate on the other. The threaded rod allows you to adjust the gap in both planes.

**Material** S235 + oil film.

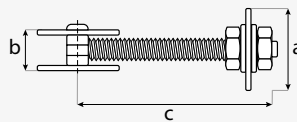
**Mounting** Hinge for double-sided welding.



ZRB 16/120



ZRB 12/120



| name       | coat. | art no. | dimensions [mm] |    |     |     | weight [g] | pack [pcs] |
|------------|-------|---------|-----------------|----|-----|-----|------------|------------|
|            |       |         | a               | b  | c   | ≠   |            |            |
| ZRB 12/100 | ●     | 8428    | 45              | 37 | 100 | 6,0 | 510        | 10         |
| ZRB 16/120 | ●     | 8429    | 45              | 43 | 120 | 8,0 | 1004       | 10         |

coating:  
● oil film

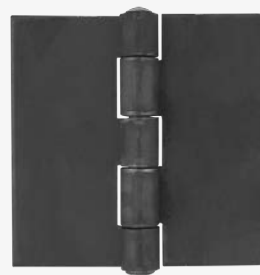
# ZMC

Construction hinge

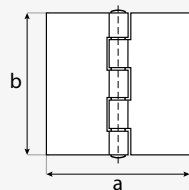
**Application** Hinge designed for welding, e.g. to heavy workshop doors. Due to the characteristics of the application, it is protected with an oil filter that prevents steel from rusting.

**Material** S235 + oil film.

**Mounting** Hinge for double-sided welding.



ZMC 150/150



| name        | coat. | art no. | dimensions [mm] |     |     | weight [g] | pack [pcs] |
|-------------|-------|---------|-----------------|-----|-----|------------|------------|
|             |       |         | a               | d   | ≠   |            |            |
| ZMC 150/150 | ●     | 805821  | 150             | 150 | 4,5 | 830        | 10         |

coating:  
● oil film

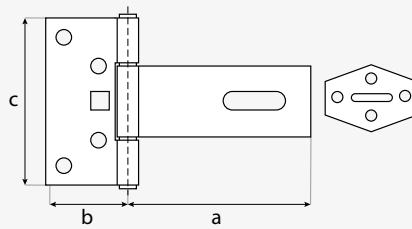
**Application** Hinge is made of a narrow rectangular part, an elongated leaf with a hole and a hasp that allows the use of a padlock. Intended for mounting and securing gates, wickets, doors or chests.

**Material** DC01 + yellow galvanization.

**Mounting** Wood screws  $\phi 4$ ; carriage bolt M8.



ZMC 150/150



| name     | coat. | art no. | dimensions [mm] |    |     |     | holes [mm] |             | weight [g] | pack [pcs] |
|----------|-------|---------|-----------------|----|-----|-----|------------|-------------|------------|------------|
|          |       |         | a               | b  | c   | ≠   | $\phi 4$   | $\square 9$ |            |            |
| ZZBR 150 | ●     | 8711    | 100             | 50 | 100 | 2,5 | 8          | 1           | 290        | 10         |

**coating:**  
● yellow galvanization

## ZZBR

Chest hinge with lock



**Application** A universal strap hinge with an elongated shape and a durable braid. Designed for installation and protection of gates, wickets, doors or chests. Equipped with a hole and a hasp allowing the use of a padlock.

**Material** DC01 + yellow galvanization.

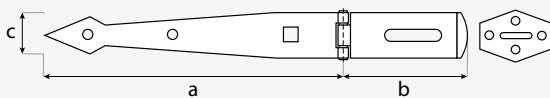
**Mounting** Wood screws  $\phi 6$ ; carriage bolt M6.



ZZB 250



ZZB 200

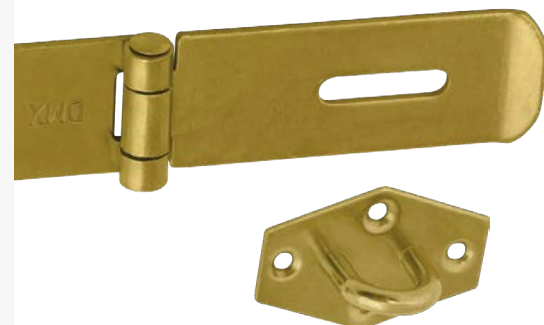


| name    | coat. | art no. | dimensions [mm] |    |    |     | holes [mm] |             | weight [g] | pack [pcs] |
|---------|-------|---------|-----------------|----|----|-----|------------|-------------|------------|------------|
|         |       |         | a               | b  | c  | ≠   | $\phi 6$   | $\square 7$ |            |            |
| ZZB 200 | ●     | 8731    | 200             | 95 | 35 | 2,5 | 6          | 1           | 208        | 10         |
| ZZB 250 | ●     | 8732    | 250             | 95 | 35 | 2,5 | 6          | 1           | 241        | 10         |

**coating:**  
● yellow galvanization

## ZZB

Strap gate hinge with lock





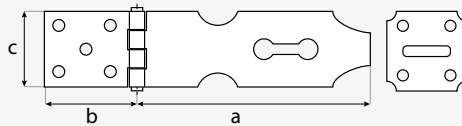
# ZZK

Hinge with lock

**Application** A universal belt hinge with an elongated shape and a durable braid. Designed for installation and protection of gates, wickets, doors or chests. Equipped with a hole and a hasp allowing the use of a padlock.

**Material** DC01 + yellow galvanization.

**Mounting** Wood screws  $\phi 4$ .



| name   | coat. | art no. | dimensions [mm] |    |    |     | holes [mm] | weight [g] | pack [pcs] |
|--------|-------|---------|-----------------|----|----|-----|------------|------------|------------|
|        |       |         | a               | b  | c  | ≠   |            |            |            |
| ZZK 50 | ●     | 8751    | 130             | 50 | 45 | 2,0 | 7          | 166        | 10         |
| ZZK 75 | ●     | 8753    | 175             | 75 | 55 | 2,0 | 9          | 346        | 10         |

coating:  
● yellow galvanization



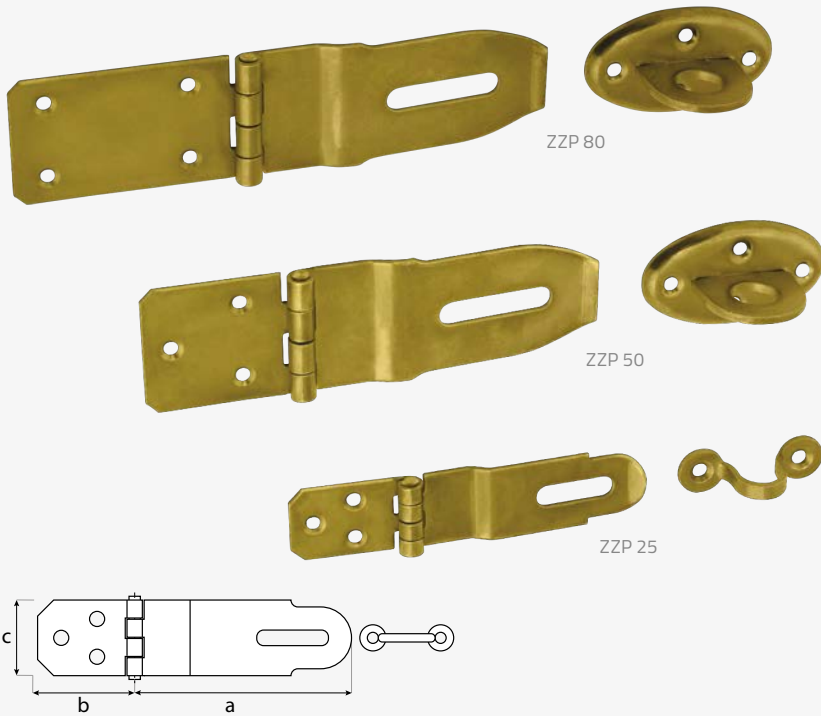
**Application** Universal hinge with a durable braid. The bent part of the detail allows you to flush the construction elements. Designed for installation and protection of gates, wickets, doors or chests. Equipped with a hole and a hasp allowing the use of a padlock.

**Material** DC01 + yellow galvanization.

**Mounting** Wood screws  $\phi 4$ .

## ZZP

### Hinge with lock



| name   | coat. | art no. | dimensions [mm] |    |    |     | holes [mm] | weight [g] | pack [pcs] |
|--------|-------|---------|-----------------|----|----|-----|------------|------------|------------|
|        |       |         | a               | b  | c  | #   | $\phi 7$   |            |            |
| ZZP 25 | ●     | 8721    | 75              | 35 | 25 | 1,5 | 5          | 42         | 10         |
| ZZP 50 | ●     | 8722    | 90              | 50 | 45 | 1,5 | 7          | 144        | 10         |
| ZZP 80 | ●     | 8723    | 90              | 80 | 45 | 1,5 | 8          | 159        | 10         |

coating:

● yellow galvanization





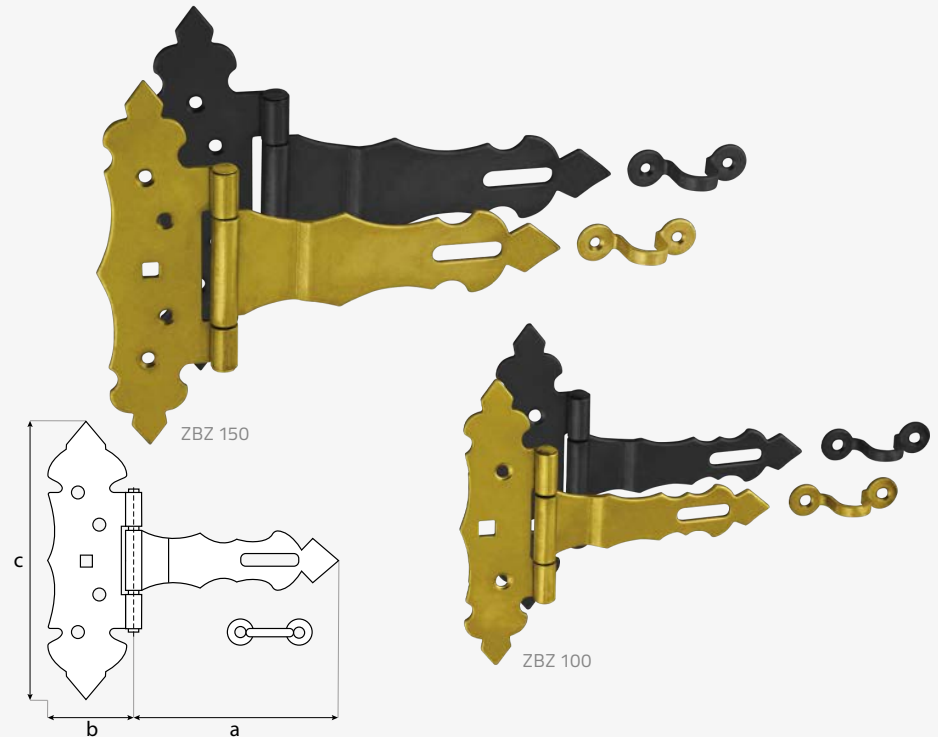
# ZBZ

Decorative gate hinge with lock

**Application** Decorative triangular hinge designed for mounting and securing gates, wickets, doors or shutters. The rustic finish gives it an elegant look and allows you to create interesting arrangements. Equipped with a hole and a hasp allowing the use of a padlock.

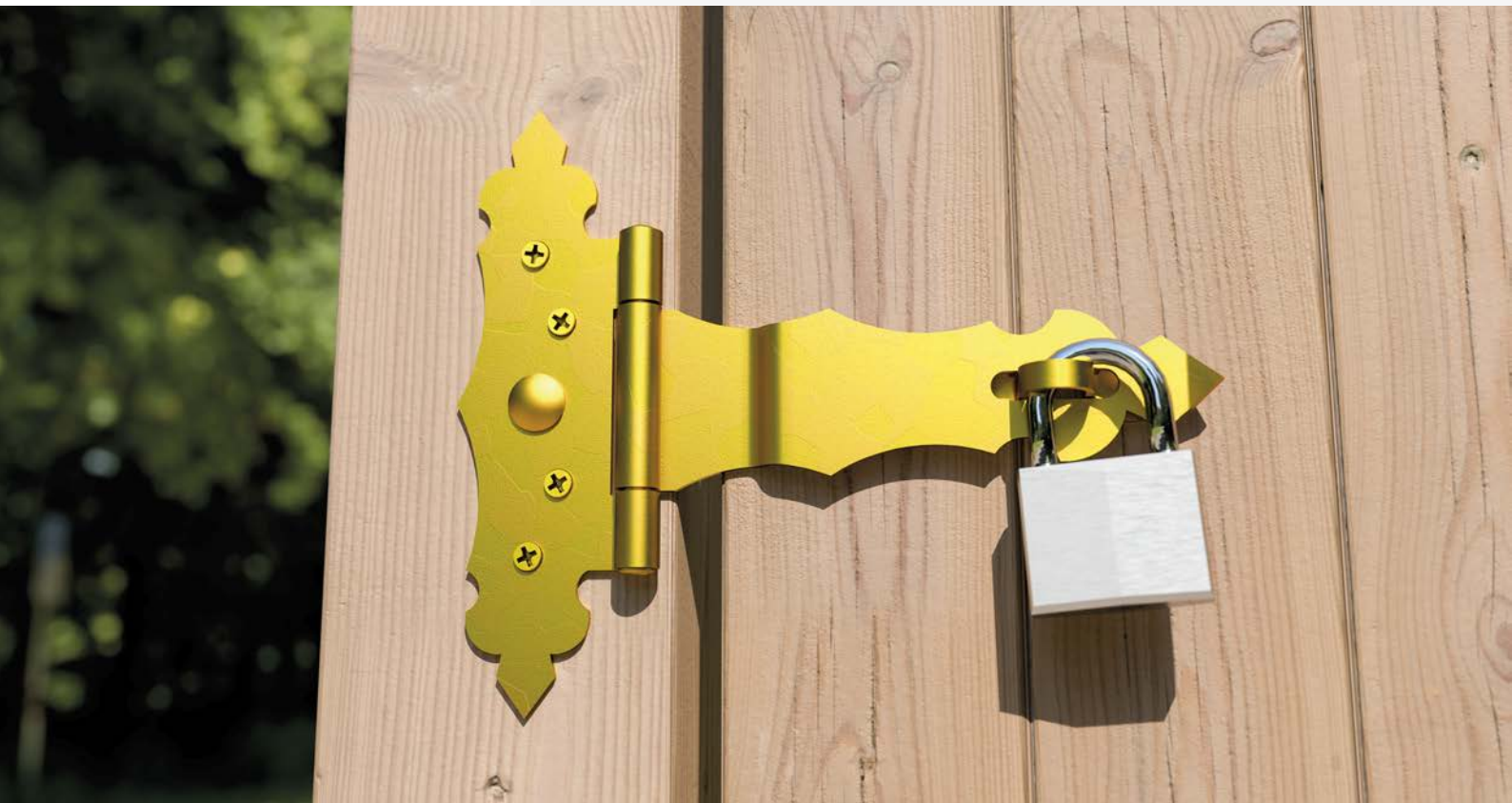
**Material** DC01 + yellow galvanization; DUPLEX: DC01 + Z275 powder coated black.

**Mounting** Wood screws  $\phi 5$ ; screw ZAS  $\phi 4.5$ ; carriage bolt ZACB M8.



| name    | coat. | art no. | dimensions [mm] |    |     |     | holes [mm] |             | weight [g] | pack [pcs] |
|---------|-------|---------|-----------------|----|-----|-----|------------|-------------|------------|------------|
|         |       |         | a               | b  | c   | ≠   | $\phi 5$   | $\square 7$ |            |            |
| ZBZ 100 | ●     | 810816  | 100             | 35 | 130 | 2,0 | 4          | 1           | 177        | 10         |
|         | ■     | 810812  | 100             | 35 | 130 | 2,0 | 4          | 1           | 177        | 10         |
| ZBZ 150 | ●     | 810826  | 150             | 50 | 170 | 2,5 | 6          | 1           | 295        | 10         |
|         | ■     | 810822  | 150             | 50 | 170 | 2,5 | 6          | 1           | 295        | 10         |

**coating:**  
 ● yellow galvanization  
 ■ DUPLEX: DC01 + Z275 powder coated, black





**Application** Decorative longitudinal hinge designed for mounting and securing gates, wickets, doors or shutters. The rustic finish gives it an elegant look and allows you to create interesting arrangements. Equipped with a hole and a hasp allowing the use of a padlock.

**Material** DC01 + yellow galvanization; DUPLEX: DC01 + Z275 powder coated black.

**Mounting** Wood screws  $\phi 5$ ; screw ZAS  $\phi 4.5$ .

## ZOZ

Decorative hinge  
with lock



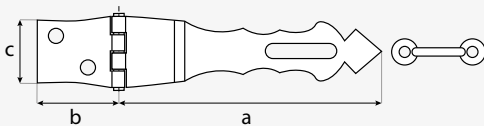
ZOZ 125



ZOZ 100



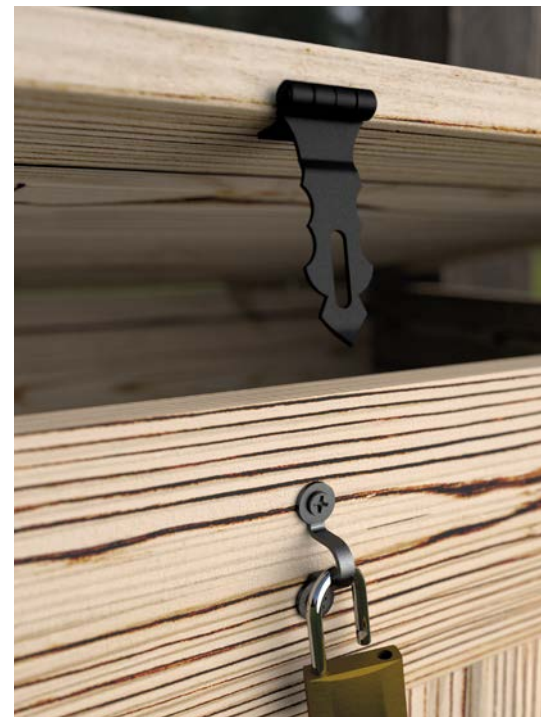
ZOZ 75



| name    | coat. | art no. | dimensions [mm] |    |    |     | holes [mm] | weight [g] | pack [pcs] |
|---------|-------|---------|-----------------|----|----|-----|------------|------------|------------|
|         |       |         | a               | b  | c  | ≠   | $\phi 5$   |            |            |
| ZOZ 75  | ●     | 7945616 | 75              | 26 | 30 | 2,0 | 4          | 52         | 10         |
|         | ●     | 7945612 | 75              | 26 | 30 | 2,0 | 4          | 52         | 10         |
| ZOZ 100 | ●     | 7945626 | 100             | 28 | 30 | 2,0 | 4          | 59         | 10         |
|         | ●     | 7945622 | 100             | 28 | 30 | 2,0 | 4          | 59         | 10         |
| ZOZ 125 | ●     | 7945636 | 125             | 40 | 30 | 2,0 | 4          | 67         | 10         |
|         | ●     | 7945632 | 125             | 40 | 30 | 2,0 | 4          | 67         | 10         |

**coating:**

- yellow galvanization
- DUPLEX: DC01 + Z275 powder coated, black

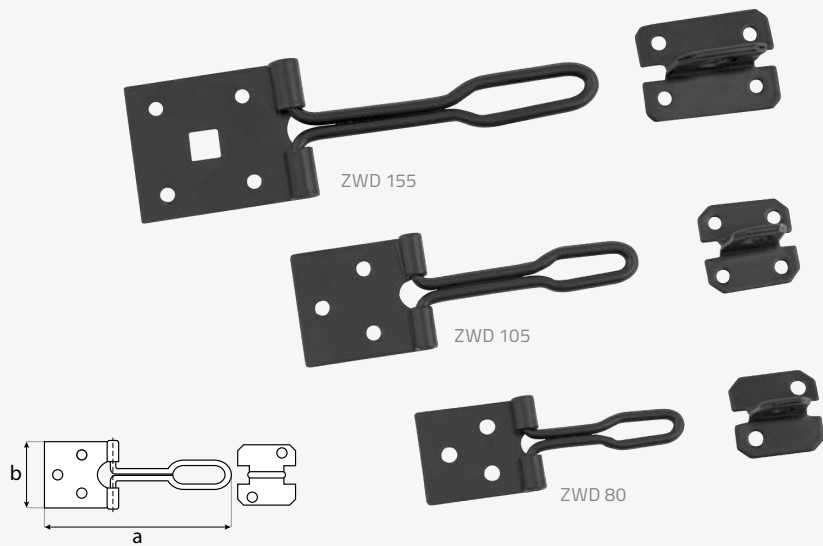


# ZWD

Hasp with staple made of rolled wire



**Application** Light hasp in black color used to install a padlock to a door or gate. Effectively protects against opening.  
**Material** DC01 + powder coated black.  
**Mounting** Wood screws  $\varnothing 3$ ,  $\varnothing 4$ .



| name    | coat. | art no. | dimensions [mm] |    |     | holes [mm]      |                 |             | weight [g] | pack [pcs] |
|---------|-------|---------|-----------------|----|-----|-----------------|-----------------|-------------|------------|------------|
|         |       |         | a               | b  | ≠   | $\varnothing 3$ | $\varnothing 4$ | $\square 9$ |            |            |
| ZWD 80  | ●     | 87401   | 80              | 28 | 1,4 | 5               | –               | –           | 28         | 20         |
| ZWD 105 | ●     | 87402   | 105             | 35 | 1,4 | –               | 7               | –           | 41         | 20         |
| ZWD 155 | ●     | 87403   | 155             | 45 | 1,4 | –               | 8               | 1           | 79         | 20         |

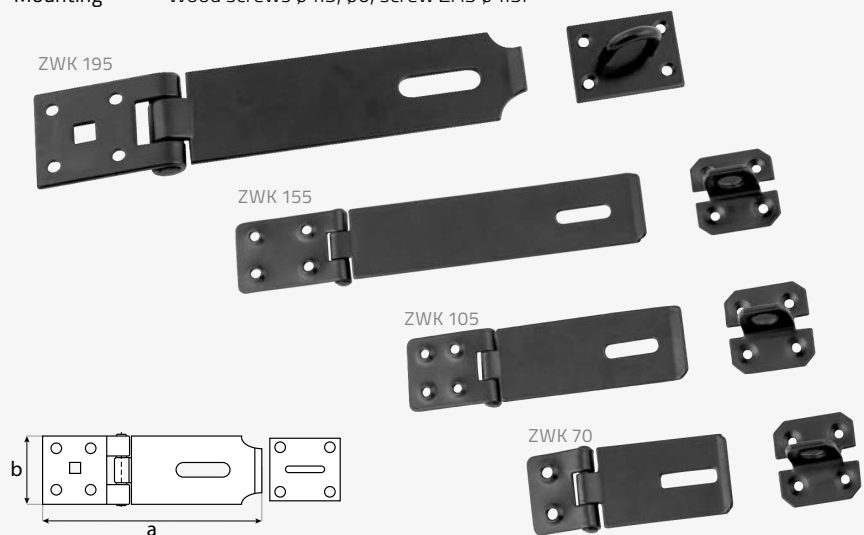
**coating:**  
 ● powder coated, black

# ZWK

Security closing hasp



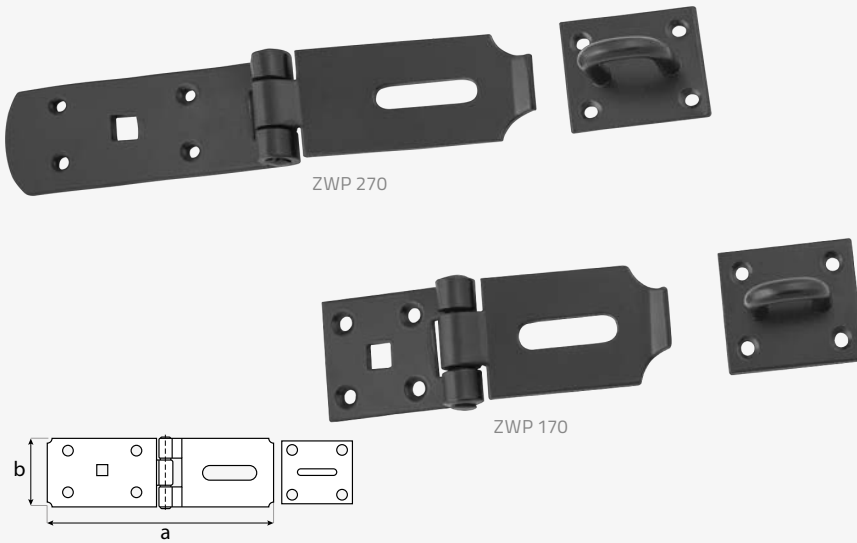
**Application** Black closing hasp for mounting a padlock to a door or gate. Effectively protects against opening.  
**Material** DC01 + powder coated black.  
**Mounting** Wood screws  $\varnothing 4.5$ ,  $\varnothing 6$ ; screw ZAS  $\varnothing 4.5$ .



| name    | coat. | art no. | dimensions [mm] |    |     | holes [mm]        |                 |              | weight [g] | pack [pcs] |
|---------|-------|---------|-----------------|----|-----|-------------------|-----------------|--------------|------------|------------|
|         |       |         | a               | b  | ≠   | $\varnothing 4.5$ | $\varnothing 6$ | $\square 11$ |            |            |
| ZWK 70  | ●     | 87411   | 70              | 40 | 1,8 | 6                 | –               | –            | 78         | 10         |
| ZWK 105 | ●     | 87412   | 105             | 40 | 1,8 | 8                 | –               | –            | 100        | 10         |
| ZWK 155 | ●     | 87413   | 155             | 40 | 1,8 | 8                 | –               | –            | 138        | 10         |
| ZWK 195 | ●     | 87414   | 195             | 55 | 4,0 | –                 | 8               | 1            | 630        | 10         |

**coating:**  
 ● powder coated, black

**Application** Black closing hasp for attaching a padlock to a door or gate. Effectively protects against opening.  
**Material** DC01 + powder coated black.  
**Mounting** Wood screws  $\varnothing 6$ ; carriage bolt M10.



| name    | coat. | art no. | dimensions [mm] |    |     | holes [mm]      |              |              | weight [g] | pack [pcs] |
|---------|-------|---------|-----------------|----|-----|-----------------|--------------|--------------|------------|------------|
|         |       |         | a               | b  | ≠   | $\varnothing 6$ | $\square 11$ | $\square 12$ |            |            |
| ZWP 170 | ●     | 87421   | 167             | 55 | 4,0 | 8               | 1            | -            | 465        | 10         |
| ZWP 270 | ●     | 87422   | 263             | 55 | 4,0 | 8               | -            | 1            | 610        | 10         |

**coating:**  
 ● powder coated, black

## ZWP

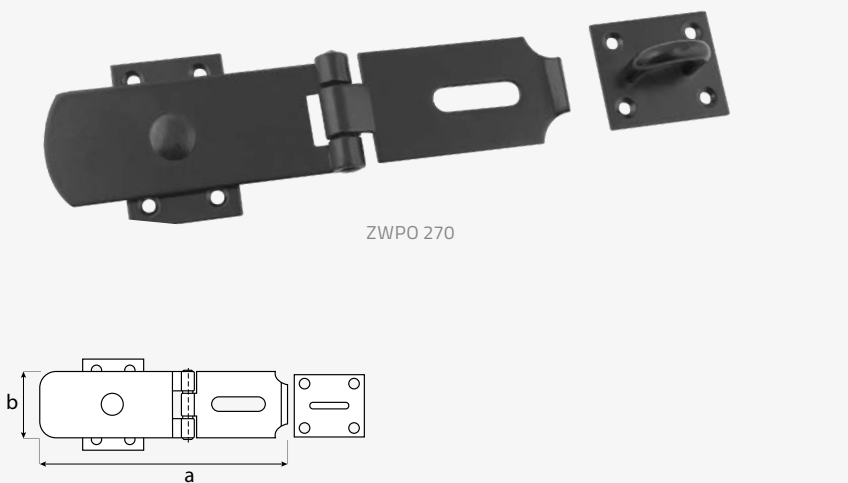
Security closing hasp



## ZWPO

Security closing hasp

**Application** Rotary lock in black color used to install a padlock to a door or gate. Rotating the element hides the applied fasteners. Effectively protects against opening.  
**Material** DC01 + powder coated black.  
**Mounting** Wood screws  $\varnothing 6$ .



| name     | coat. | art no. | dimensions [mm] |    |     | holes [mm]      | weight [g] | pack [pcs] |
|----------|-------|---------|-----------------|----|-----|-----------------|------------|------------|
|          |       |         | a               | b  | ≠   | $\varnothing 6$ |            |            |
| ZWPO 270 | ●     | 87431   | 263             | 55 | 4,0 | 8               | 610        | 10         |

**coating:**  
 ● powder coated, black





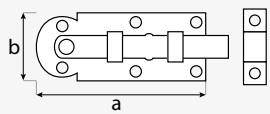
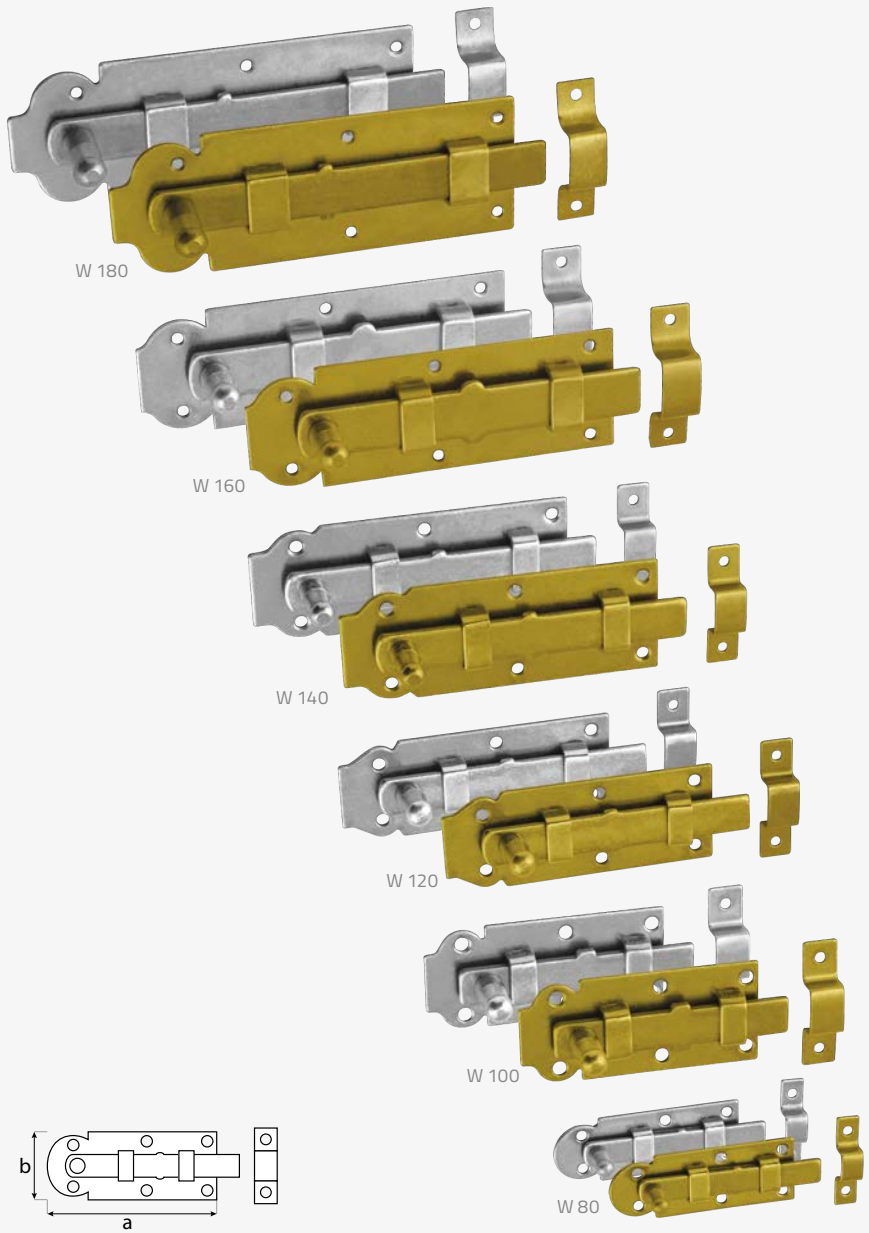
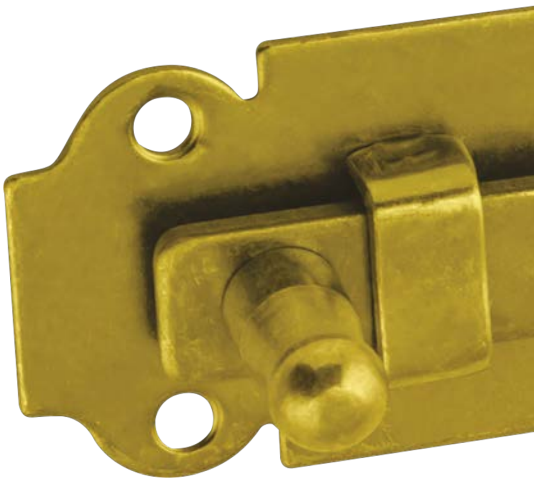
W

Door bolt

**Application** Universal light latch with a flat bolt designed for locking shutters, doors or chests. It prevents automatic opening or movement of doors and flaps.

**Material** DC01 + yellow galvanization; DC01 + silver galvanization.

**Mounting** Wood screws  $\phi 4$ ,  $\phi 5$ .



| name  | coat. | art no. | dimensions [mm] |    |     | holes [mm] |          | weight [g] | pack [pcs] |
|-------|-------|---------|-----------------|----|-----|------------|----------|------------|------------|
|       |       |         | a               | b  | ≠   | $\phi 4$   | $\phi 5$ |            |            |
| W 80  | ●     | 8501    | 80              | 30 | 2,5 | 8          | -        | 57         | 10         |
|       | ●     | 85014   | 80              | 30 | 2,5 | 8          | -        | 57         | 10         |
| W 100 | ●     | 8502    | 100             | 45 | 6,0 | -          | 8        | 141        | 10         |
|       | ●     | 85024   | 100             | 45 | 6,0 | -          | 8        | 141        | 10         |
| W 120 | ●     | 8503    | 120             | 45 | 6,0 | -          | 8        | 170        | 10         |
|       | ●     | 85034   | 120             | 45 | 6,0 | -          | 8        | 170        | 10         |
| W 140 | ●     | 8504    | 140             | 55 | 5,0 | -          | 8        | 217        | 10         |
|       | ●     | 85044   | 140             | 55 | 5,0 | -          | 8        | 217        | 10         |
| W 160 | ●     | 8505    | 160             | 55 | 5,0 | -          | 8        | 283        | 10         |
|       | ●     | 85054   | 160             | 55 | 5,0 | -          | 8        | 283        | 10         |
| W 180 | ●     | 8506    | 180             | 65 | 5,0 | -          | 8        | 324        | 10         |
|       | ●     | 85064   | 180             | 65 | 5,0 | -          | 8        | 324        | 10         |

**coating:**  
 ● yellow galvanization  
 ● silver galvanization

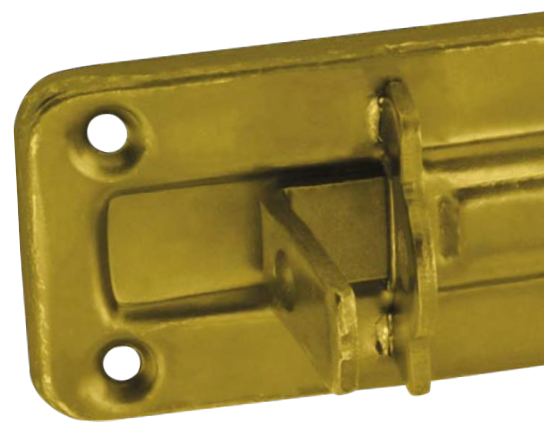
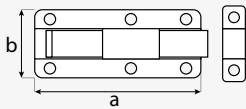
**Application** Universal light latch with a flat bolt designed for locking shutters, doors or chests. It prevents automatic opening or movement of doors and flaps.

**Material** DC01 + yellow galvanization; DC01 + silver galvanization.

**Mounting** Wood screws  $\phi 4$ ,  $\phi 5$ .

## WZTW

### Box bolt



| name     | coat. | art no. | dimensions [mm] |    |     | holes [mm] |          | weight [g] | pack [pcs] |
|----------|-------|---------|-----------------|----|-----|------------|----------|------------|------------|
|          |       |         | a               | b  | ≠   | $\phi 4$   | $\phi 5$ |            |            |
| WZTW 80* | ●     | 8551    | 80              | 40 | 1,0 | 8          | –        | 61         | 20         |
|          | ●     | 85514   | 80              | 40 | 1,0 | 8          | –        | 61         | 20         |
| WZTW 100 | ●     | 8552    | 100             | 40 | 1,0 | –          | 8        | 90         | 20         |
|          | ●     | 85524   | 100             | 40 | 1,0 | –          | 8        | 90         | 20         |
| WZTW 120 | ●     | 8553    | 120             | 45 | 1,0 | –          | 8        | 130        | 20         |
|          | ●     | 85534   | 120             | 45 | 1,0 | –          | 8        | 130        | 20         |

\* WZTW 80 does not have a padlock hole

**coating:**

- yellow galvanization
- silver galvanization



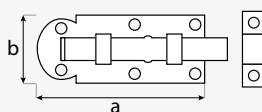
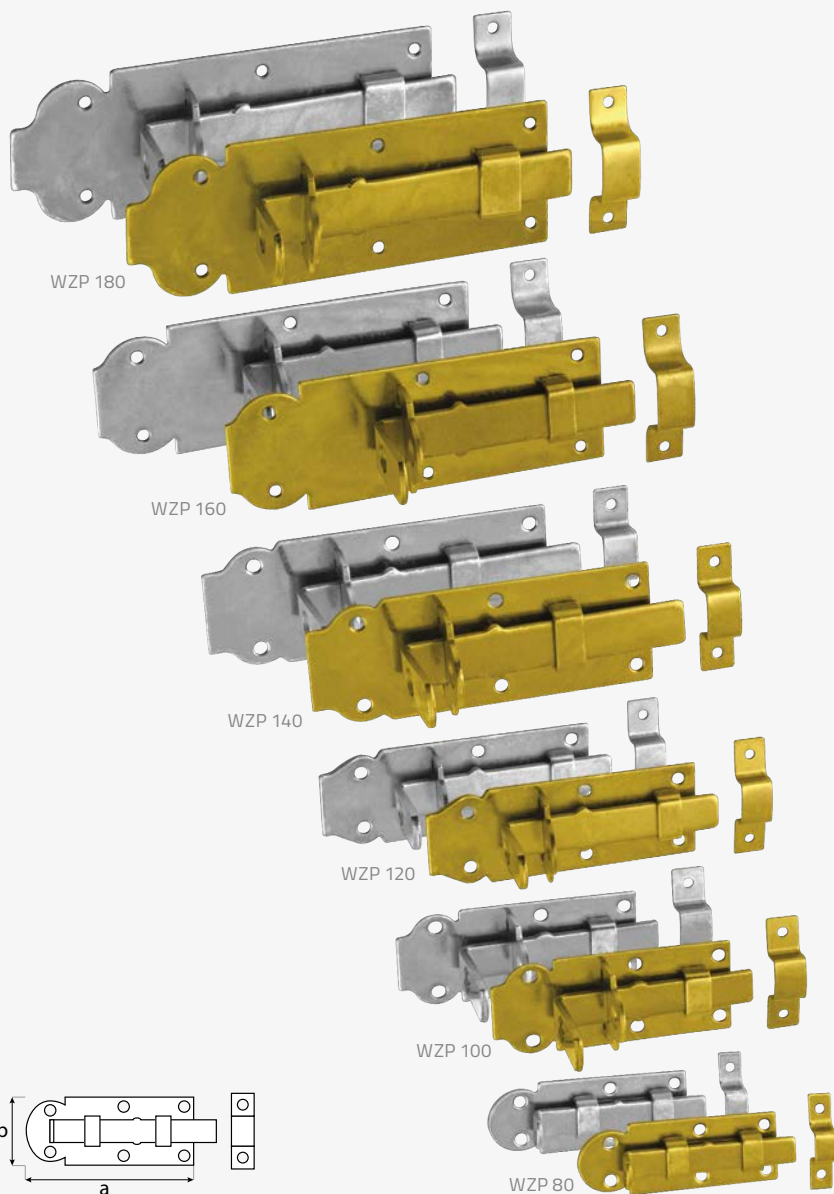
# WZP

## Closing door bolt

**Application** Lightweight latch with a flat bolt designed for locking and closing shutters, doors or chests. It has a hole for attaching a padlock. It prevents automatic opening or movement of doors and hatches and protects against third parties.

**Material** DC01 + yellow galvanization; DC01 + silver galvanization.

**Mounting** Wood screws  $\varnothing 4$ ,  $\varnothing 5$ .



| name    | coat. | art no. | dimensions [mm] |    |     | holes [mm]      |                 | weight [g] | pack [pcs] |
|---------|-------|---------|-----------------|----|-----|-----------------|-----------------|------------|------------|
|         |       |         | a               | b  | ≠   | $\varnothing 4$ | $\varnothing 5$ |            |            |
| WZP 80* | ●     | 8531    | 80              | 30 | 3,0 | 8               | –               | 52         | 10         |
|         | ●     | 85314   | 80              | 30 | 3,0 | 8               | –               | 52         | 10         |
| WZP 100 | ●     | 8532    | 100             | 45 | 5,0 | –               | 8               | 140        | 10         |
|         | ●     | 85324   | 100             | 45 | 5,0 | –               | 8               | 140        | 10         |
| WZP 120 | ●     | 8533    | 120             | 45 | 5,0 | –               | 8               | 157        | 10         |
|         | ●     | 85334   | 120             | 45 | 5,0 | –               | 8               | 157        | 10         |
| WZP 140 | ●     | 8534    | 140             | 55 | 5,0 | –               | 8               | 209        | 10         |
|         | ●     | 85344   | 140             | 55 | 5,0 | –               | 8               | 209        | 10         |
| WZP 160 | ●     | 8535    | 160             | 55 | 6,0 | –               | 8               | 269        | 10         |
|         | ●     | 85354   | 160             | 55 | 6,0 | –               | 8               | 269        | 10         |
| WZP 180 | ●     | 8536    | 180             | 65 | 6,0 | –               | 8               | 291        | 10         |
|         | ●     | 85364   | 180             | 65 | 6,0 | –               | 8               | 291        | 10         |

\* WZP 80 does not have a padlock hole

**coating:**  
 ● yellow galvanization  
 ● silver galvanization



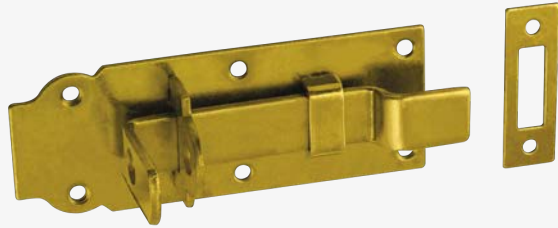
**Application** Lightweight latch with a flat bolt designed for locking and closing shutters, doors or chests. It has a hole for attaching a padlock. It prevents automatic opening or movement of doors and hatches and protects against third parties.

**Material** DC01 + yellow galvanization.

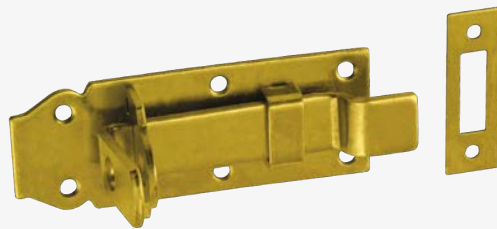
**Mounting** Wood screws  $\phi 5$ .

## WZW

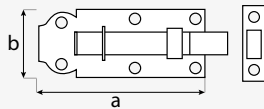
### Closing door bolt



WZW 140



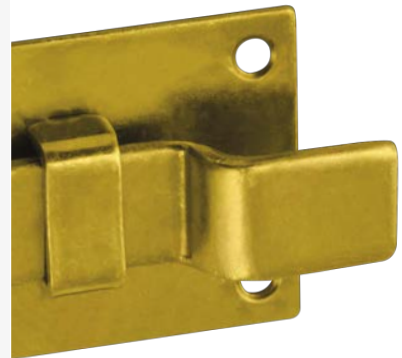
WZW 120



| name    | coat. | art no. | dimensions [mm] |    |        | holes [mm] | weight [g] | pack [pcs] |
|---------|-------|---------|-----------------|----|--------|------------|------------|------------|
|         |       |         | a               | b  | $\neq$ | $\phi 5$   |            |            |
| WZW 120 | ●     | 8543    | 120             | 45 | 5,0    | 8          | 168        | 10         |
| WZW 140 | ●     | 8544    | 140             | 55 | 5,0    | 8          | 237        | 10         |

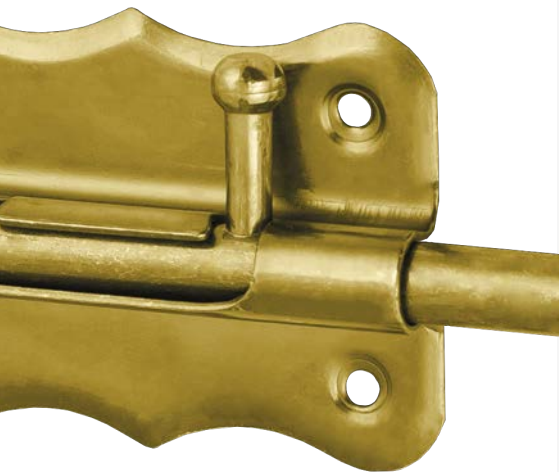
**coating:**

● yellow galvanization



# WRO

Decorative tower bolt



**Application**

Lightweight latch with a round bolt designed for locking shutters, doors or chests. It prevents automatic opening or movement of doors and flaps.

**Material**

DC01 + yellow galvanization; DC01 + silver galvanization.

**Mounting**

Wood screws  $\phi 4$ ,  $\phi 5$ .



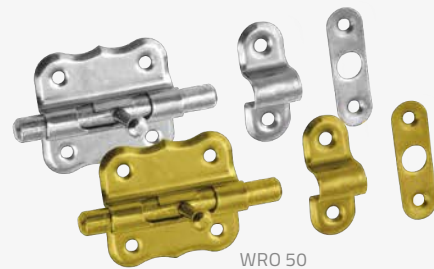
WRO 120



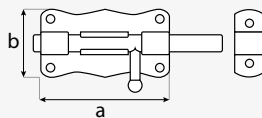
WRO 100



WRO 70



WRO 50



| name    | coat. | art no. | dimensions [mm] |    |     | holes [mm] |    | weight [g] | pack [pcs] |
|---------|-------|---------|-----------------|----|-----|------------|----|------------|------------|
|         |       |         | a               | b  | ≠   | ø4         | ø5 |            |            |
| WRO 50  | ●     | 8561    | 50              | 50 | 1,0 | 6          | –  | 82         | 10         |
|         | ●     | 85614   | 50              | 50 | 1,0 | 6          | –  | 82         | 10         |
| WRO 70  | ●     | 8562    | 70              | 50 | 1,0 | –          | 6  | 110        | 10         |
|         | ●     | 85624   | 70              | 50 | 1,0 | –          | 6  | 110        | 10         |
| WRO 100 | ●     | 8563    | 100             | 65 | 1,5 | –          | 10 | 310        | 10         |
|         | ●     | 85634   | 100             | 65 | 1,5 | –          | 10 | 310        | 10         |
| WRO 120 | ●     | 8564    | 120             | 68 | 1,5 | –          | 10 | 397        | 10         |
|         | ●     | 85644   | 120             | 68 | 1,5 | –          | 10 | 397        | 10         |

**coating:**

- yellow galvanization
- silver galvanization

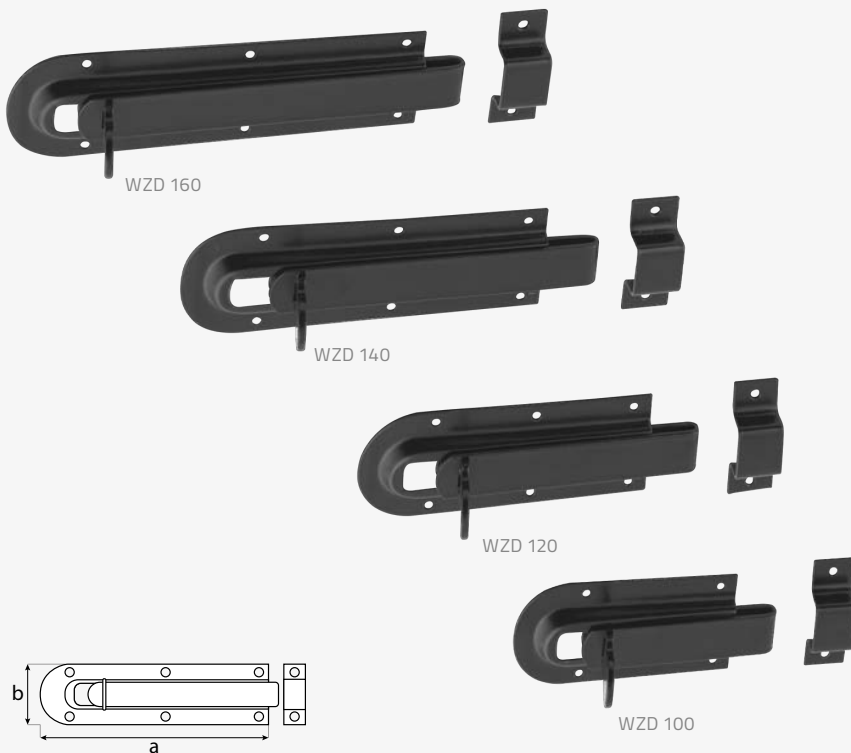
**Application** Latch with a flat bolt designed in a minimalist style, designed to lock shutters, doors and chests. It prevents automatic opening or movement of doors and flaps.

**Material** DC01 + powder coated black.

**Mounting** Wood screws  $\varnothing 3$ .

## WZD

Latch with a flat bolt



| name    | coat. | art no. | dimensions [mm] |    |     | holes [mm]      | weight [g] | pack [pcs] |
|---------|-------|---------|-----------------|----|-----|-----------------|------------|------------|
|         |       |         | a               | b  | ≠   | $\varnothing 3$ |            |            |
| WZD 100 | ●     | 850811  | 100             | 46 | 1,0 | 6               | 85         | 20         |
| WZD 120 | ●     | 850812  | 120             | 46 | 1,0 | 8               | 102        | 16         |
| WZD 140 | ●     | 850813  | 140             | 46 | 1,0 | 8               | 124        | 12         |
| WZD 160 | ●     | 850814  | 160             | 46 | 1,0 | 8               | 146        | 12         |

coating:  
● powder coated, black





# WOS

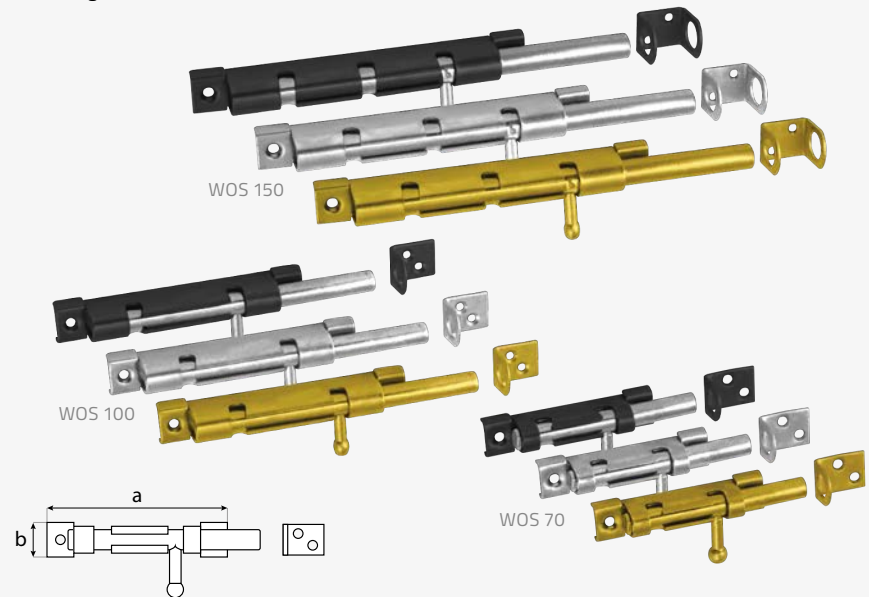
Decorative tower bolt



**Application** Lightweight latch with a round bolt designed for locking shutters, doors and chests. It prevents automatic opening or movement of doors and flaps. The small size ensures discreet installation of the product.

**Material** DC01 + yellow galvanization; DC01 + silver galvanization; DUPLEX: DC01 + Z275 powder coated black.

**Mounting** Wood screws  $\varnothing 3$ ,  $\varnothing 4$ .



| name    | coat. | art no. | dimensions [mm] |    |     | holes [mm]      |                 | weight [g] | pack [pcs] |
|---------|-------|---------|-----------------|----|-----|-----------------|-----------------|------------|------------|
|         |       |         | a               | b  | ≠   | $\varnothing 3$ | $\varnothing 4$ |            |            |
| WOS 70  | ●     | 8572    | 70              | 10 | 1,5 | 4               | -               | 72         | 10         |
|         | ●     | 85724   | 70              | 10 | 1,5 | 4               | -               | 72         | 10         |
|         | ■     | 85722   | 70              | 10 | 1,5 | 4               | -               | 72         | 10         |
| WOS 100 | ●     | 8573    | 100             | 10 | 1,5 | 4               | -               | 101        | 10         |
|         | ●     | 85734   | 100             | 10 | 1,5 | 4               | -               | 101        | 10         |
|         | ■     | 85732   | 100             | 10 | 1,5 | 4               | -               | 101        | 10         |
| WOS 150 | ●     | 8574    | 150             | 16 | 1,5 | -               | 4               | 235        | 10         |
|         | ●     | 85744   | 150             | 16 | 1,5 | -               | 4               | 235        | 10         |
|         | ■     | 85742   | 150             | 16 | 1,5 | -               | 4               | 235        | 10         |

**coating:**  
 ● yellow galvanization  
 ● silver galvanization  
 ■ DUPLEX: DC01 + Z275 powder coated, black



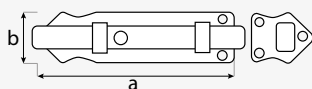
**Application** Latch with a flat bolt in black color with a decorative finish of the fastening elements. Designed to block shutters, doors or chests. It prevents automatic opening or movement of doors and flaps.

**Material** DUPLEX: DC01 + Z275 powder coated black.

**Mounting** Wood screws  $\phi 5$ ; screw ZAS  $\phi 4.5$ .

## WPS

Decorative latch  
with a flat bolt



| name    | coat. | art no. | dimensions [mm] |    |        | holes [mm] |     | weight [g] | pack [pcs] |
|---------|-------|---------|-----------------|----|--------|------------|-----|------------|------------|
|         |       |         | a               | b  | $\neq$ | $\phi 5$   |     |            |            |
| WPS 250 | ■     | 86562   | 250             | 41 | 1,5    | 6          | 317 | 10         |            |
| WPS 300 | ■     | 86572   | 300             | 41 | 1,5    | 6          | 358 | 10         |            |

coating:

■ DUPLEX: DC01 + Z275 powder coated, black



# WOK

Gate latch

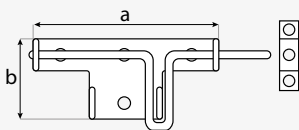
**Application** Latch used as a closing element in various types of wooden gates, doors or shutters. It has a hole for attaching a padlock. It prevents automatic opening or movement of doors and hatches and protects against third parties.

**Material** DC01 + yellow galvanization; DUPLEX: DC01 + Z275 powder coated black.

**Mounting** Wood screws  $\varnothing 6$ .



WOK 100



| name    | coat. | art no. | dimensions [mm] |    |        | holes [mm]      | weight [g] | pack [pcs] |
|---------|-------|---------|-----------------|----|--------|-----------------|------------|------------|
|         |       |         | a               | b  | $\neq$ | $\varnothing 6$ |            |            |
| WOK 100 | ●     | 850821  | 100             | 58 | 2,5    | 6               | 265        | 10         |
|         | ■     | 8508212 | 100             | 58 | 2,5    | 6               | 265        | 10         |

**coating:**  
 ● yellow galvanization  
 ■ DUPLEX: DC01 + Z275 powder coated, black

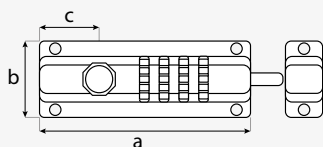




**Application** Latch used as a closing element in various types of wooden gates, doors or shutters. It has a built-in code lock that allows you to set a four-digit code yourself.

**Material** ZL + powder coated black.

**Mounting** Wood screws  $\phi 4.5$ .



| name  | coat. | art no. | dimensions [mm] |    |    | holes [mm] | weight [g] | pack [pcs] |
|-------|-------|---------|-----------------|----|----|------------|------------|------------|
|       |       |         | a               | b  | c  | $\phi 4.5$ |            |            |
| WHS 1 | ●     | 883801  | 123             | 48 | 40 | 6          | 332        | 10         |

**coating:**  
● powder coated, black

## WHS

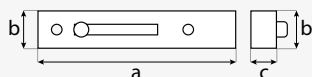
Door lock with numeric code (set)



**Application** Light, small-sized nickel-plated latch used as a closing element in various types of wooden gates, doors or shutters.

**Material** DC01 + nickel plated.

**Mounting** Wood screws  $\phi 5$ .



| name   | coat. | art no. | dimensions [mm] |    |   | holes [mm] | weight [g] | pack [pcs] |
|--------|-------|---------|-----------------|----|---|------------|------------|------------|
|        |       |         | a               | b  | c | $\phi 5$   |            |            |
| WZF 70 | ■     | 850801  | 70              | 15 | 9 | 2          | 16         | 10         |

**coating:**  
■ nickel plated

## WZF

Furniture latch (set)



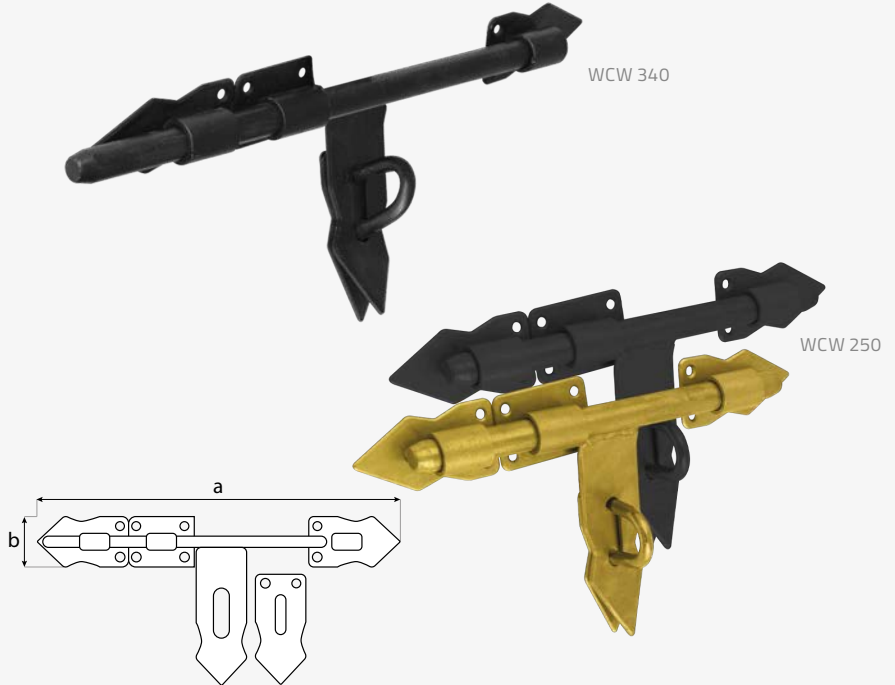
WCW

Heavy decorative latch

**Application** Heavy duty gate latch with a decorative finish. Used as a closing element for large gates or doors. Perfect for shed, storage or barn doors. Equipped with a hole and a hasp allowing the use of a padlock.

**Material** S235 + yellow galvanization; DUPLEX: S235 + Z275 powder coated black.

**Mounting** Wood screws  $\phi 5$ ; screw ZAS  $\phi 4.5$ .



| name    | coat. | art no. | dimensions [mm] |    |        | holes [mm] |     | weight [g] | pack [pcs] |
|---------|-------|---------|-----------------|----|--------|------------|-----|------------|------------|
|         |       |         | a               | b  | $\neq$ | $\phi 5$   |     |            |            |
| WCW 250 | ●     | 8658    | 250             | 40 | 2,0    | 13         | 736 | 5          |            |
|         | ■     | 86582   | 250             | 40 | 2,0    | 13         | 736 | 5          |            |
| WCW 340 | ■     | 86592   | 340             | 40 | 2,0    | 13         | 878 | 5          |            |

**coating:**  
 ● yellow galvanization  
 ■ DUPLEX: S235 + Z275 powder coated, black



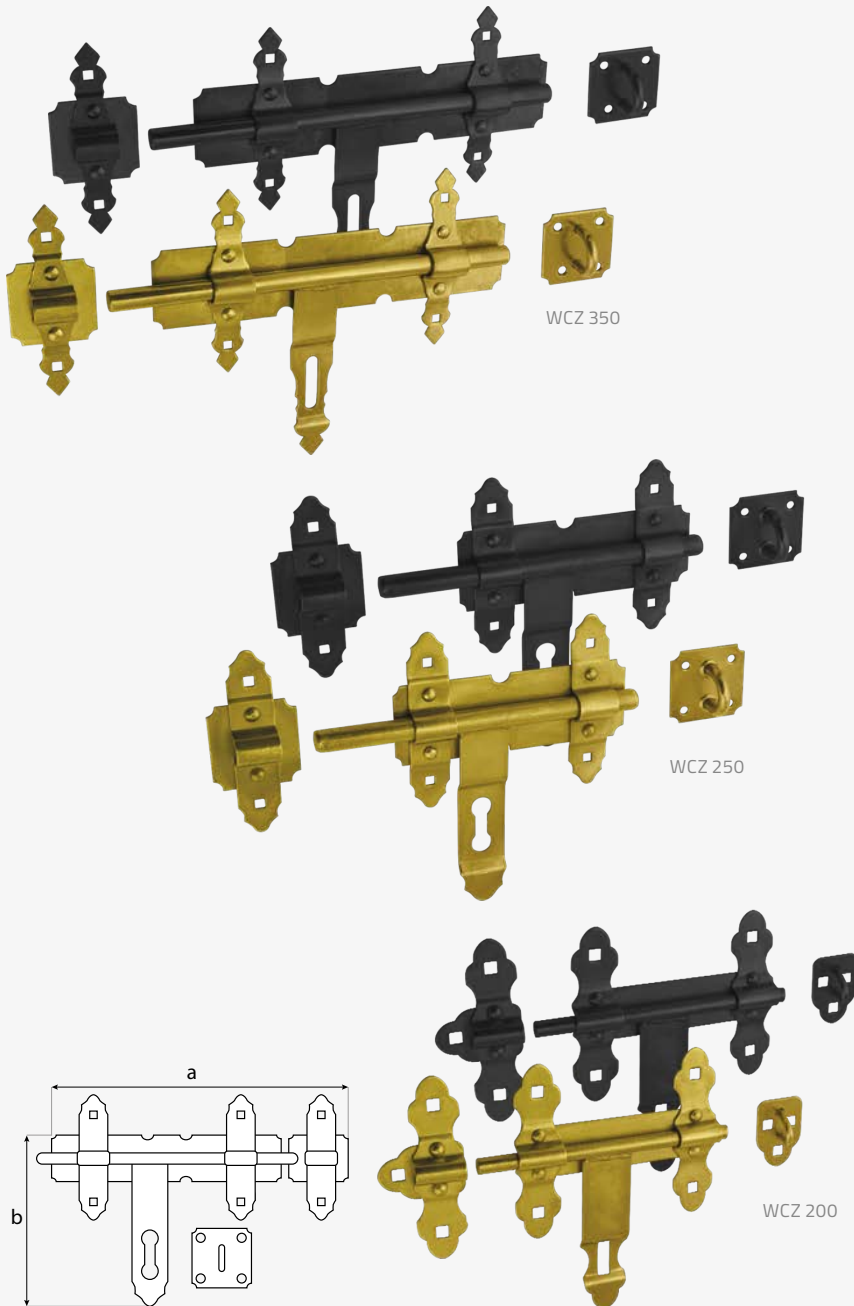
**Application** Heavy bolt with a rustic finish. Used as a closing element for large gates or doors. Perfect for shed, storage or barn doors. Equipped with a hole and a hasp allowing the use of a padlock.

**Material** S235 + yellow galvanization; DUPLEX: S235 + Z275 powder coated black.

**Mounting** Wood screws  $\phi 6$ ; carriage bolt ZACB M8.

## WCZ

Heavy duty tower bolt



| name    | coat. | art no. | dimensions [mm] |     |     | holes [mm] |             | weight [g] | pack [pcs] |
|---------|-------|---------|-----------------|-----|-----|------------|-------------|------------|------------|
|         |       |         | a               | b   | #   | $\phi 7$   | $\square 7$ |            |            |
| WCZ 200 | ●     | 8651    | 200             | 200 | 2,5 | 4          | 6           | 637        | 5          |
|         | ■     | 86512   | 200             | 200 | 2,5 | 4          | 6           | 637        | 5          |
| WCZ 250 | ●     | 8652    | 250             | 200 | 2,5 | 4          | 6           | 970        | 5          |
|         | ■     | 86522   | 250             | 200 | 2,5 | 4          | 6           | 970        | 5          |
| WCZ 350 | ●     | 8654    | 350             | 200 | 2,5 | 4          | 6           | 1165       | 2          |
|         | ■     | 86542   | 350             | 200 | 2,5 | 4          | 6           | 1165       | 2          |

**coating:**

- yellow galvanization
- DUPLEX: S235 + Z275 powder coated, black



# WZK

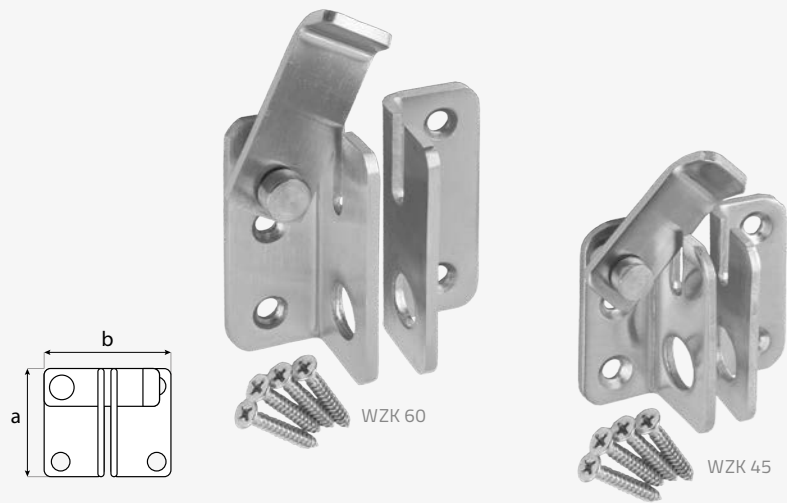
Gate latch INOX



**Application** Latch made of high-quality stainless steel. The lock is made by lowering the movable bolt, which prevents the gate or door from opening on its own. It has holes to additionally attach a padlock.

**Material** Stainless steel.

**Mounting** Wkręty INOX do drewna  $\phi 4.5$ ,  $\phi 5$ .



| name   | coat. | art no. | dimensions [mm] |    | holes [mm] |          | weight [g] | pack [pcs] |
|--------|-------|---------|-----------------|----|------------|----------|------------|------------|
|        |       |         | a               | b  | $\phi 4.5$ | $\phi 5$ |            |            |
| WZK 45 | ■     | 850851  | 45              | 40 | 4          | –        | 81         | 20         |
| WZK 60 | ■     | 850852  | 61              | 52 | –          | 4        | 150        | 10         |

**coating:**  
 ■ stainless steel

# WHK

Closure – key lock



**Application** Closure with a hinge equipped with a lock and two keys (included). After closing, all fasteners such as screws or bolts are covered, which increases safety against possible unscrewing. It will be perfect, for example, in tool sheds.

**Material** DC01 + powder coated black.

**Mounting** Wood screws  $\phi 4.5$ ,  $\phi 5$ ; screw ZAS  $\phi 4.5$ .



| name  | coat. | art no. | dimensions [mm] |    | holes [mm] |          | weight [g] | pack [pcs] |
|-------|-------|---------|-----------------|----|------------|----------|------------|------------|
|       |       |         | a               | b  | $\phi 4$   | $\phi 5$ |            |            |
| WHK 1 | ●     | 883811  | 95              | 30 | 7          | –        | 110        | 10         |
| WHK 2 | ●     | 883812  | 140             | 40 | –          | 7        | 170        | 10         |

**coating:**  
 ● powder coated, black



domax<sup>■</sup>

PWM

✓ in our offer

screw-in post support

see page 108



# WHG

Self-locking latch

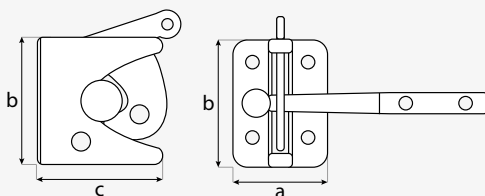
**Application** Gravity latch for gates and doors. Equipped with self-locking bolt. It has an additional possibility to put a padlock in the holes blocking the bolt.

**Material** DUPLEX: DC01 + Z275 powder coated black.

**Mounting** Wood screws  $\phi 5$ ; screw ZAS  $\phi 4.5$ .

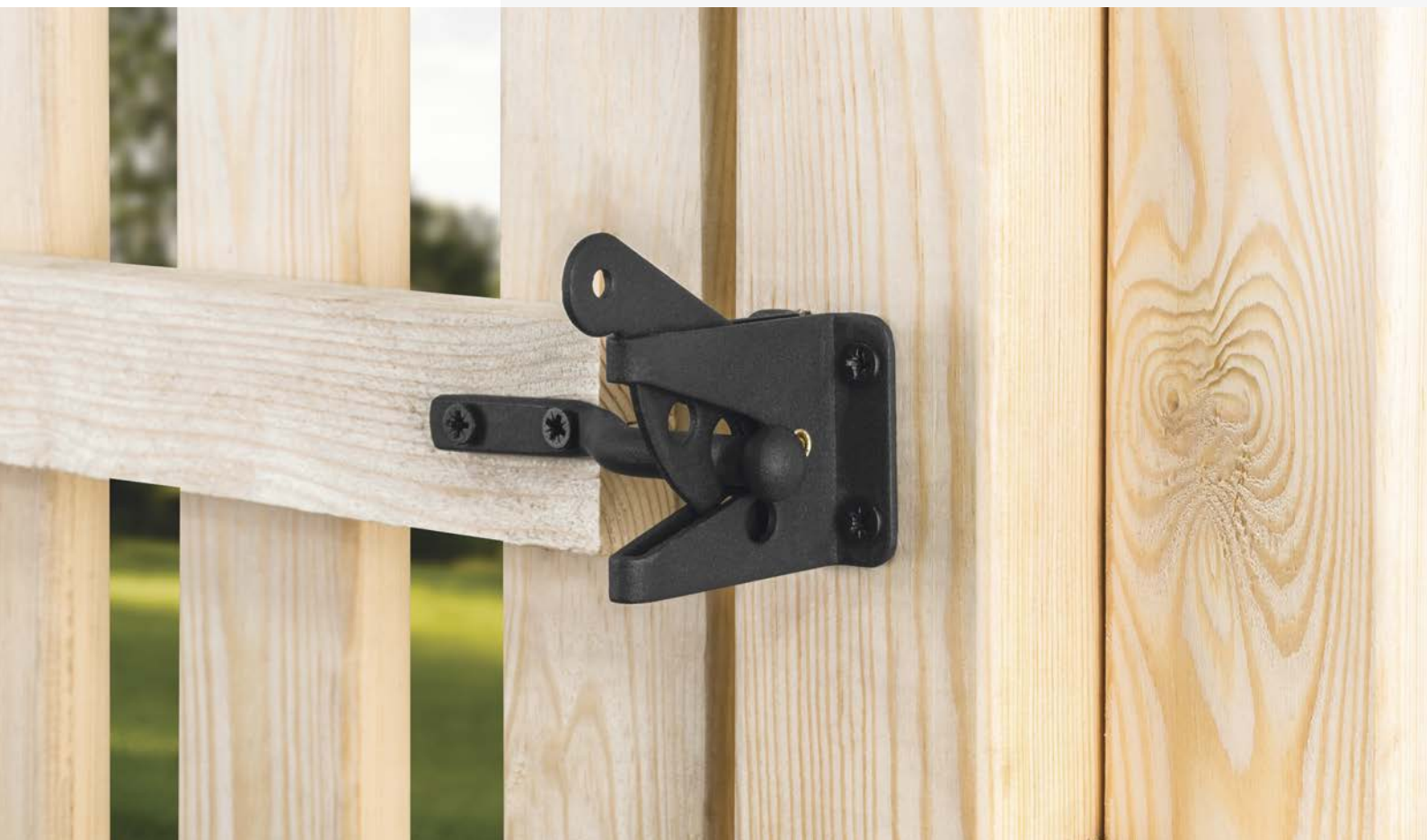


WHG 50



| name   | coat. | art no. | dimensions [mm] |    |    | holes [mm] | weight [g] | pack [pcs] |
|--------|-------|---------|-----------------|----|----|------------|------------|------------|
|        |       |         | a               | b  | c  | $\phi 5$   |            |            |
| WHG 50 | ●     | 8838322 | 48              | 38 | 58 | 6          | 201        | 10         |

coating:  
● powder coated, black

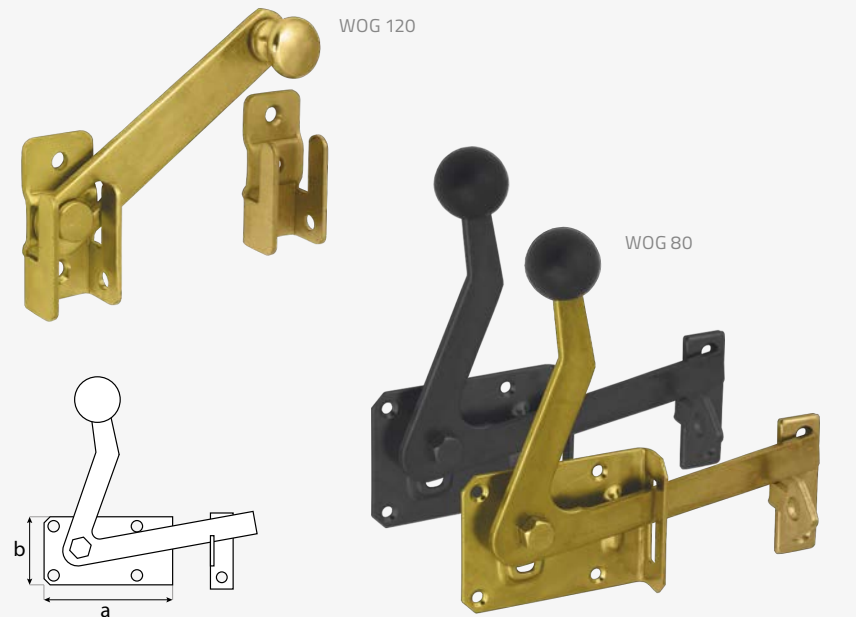




**Application** Gravity garden latch. The WOG 80 model is additionally equipped with a second arm, thanks to which it is possible to open the gate from the outside of the fence.

**Material** DC01 + yellow galvanization; DUPLEX: DC01 + Z275 powder coated black.

**Mounting** Wood screws  $\phi 5$ ; screw ZAS  $\phi 4.5$ .



| name    | coat. | art no. | dimensions [mm] |    |     | holes [mm] | weight [g] | pack [pcs] |
|---------|-------|---------|-----------------|----|-----|------------|------------|------------|
|         |       |         | a               | b  | ≠   | $\phi 5$   |            |            |
| WOG 80  | ●     | 8612    | 80              | 60 | 2,0 | 6          | 310        | 5          |
|         | ■     | 86122   | 80              | 60 | 2,0 | 6          | 310        | 5          |
| WOG 120 | ●     | 8613    | 120             | 20 | 2,0 | 4          | 165        | 10         |

**coating:**

- yellow galvanization
- DUPLEX: DC01 + Z275 powder coated, black

## WOG

### Garden latch



**Application** Gravitational garden latch with a rustic finish.

**Material** DUPLEX: DC01 + Z275 powder coated black.

**Mounting** Wood screws  $\phi 5$ ; screw ZAS  $\phi 4.5$ .



| name     | coat. | art no. | dimensions [mm] |   |     | holes [mm] | weight [g] | pack [pcs] |
|----------|-------|---------|-----------------|---|-----|------------|------------|------------|
|          |       |         | a               | b | ≠   | $\phi 5$   |            |            |
| WOGO 120 | ■     | 86142   | 120             | - | 2,0 | 4          | 165        | 10         |

**coating:**

- DUPLEX: DC01 + Z275 powder coated, black

## WOGO

### Garden latch



# WZO

## Latch



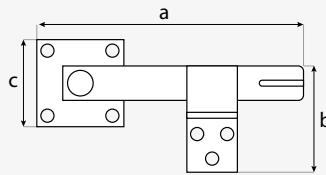
**Application** Simple and very durable gravity latch. It is perfect wherever automatic or accidental opening of a gate or shutter is possible. Made of 4 mm thick steel, protected with double DUPLEX anti-corrosion protection.

**Material** DUPLEX: DC01 + Z275 powder coated black.

**Mounting** Wood screws  $\phi 4.5$ ; screw ZAS  $\phi 4.5$ .



WZO 160



| name    | coat. | art no. | dimensions [mm] |    |    |     | holes [mm] |     | weight [g] | pack [pcs] |
|---------|-------|---------|-----------------|----|----|-----|------------|-----|------------|------------|
|         |       |         | a               | b  | c  | ≠   | $\phi 4,5$ | 7   |            |            |
| WZO 160 | ■     | 850841  | 155             | 80 | 50 | 4,0 | 7          | 285 | 10         |            |

**coating:**  
 ■ DUPLEX: DC01 + Z275 powder coated, black

# WBR

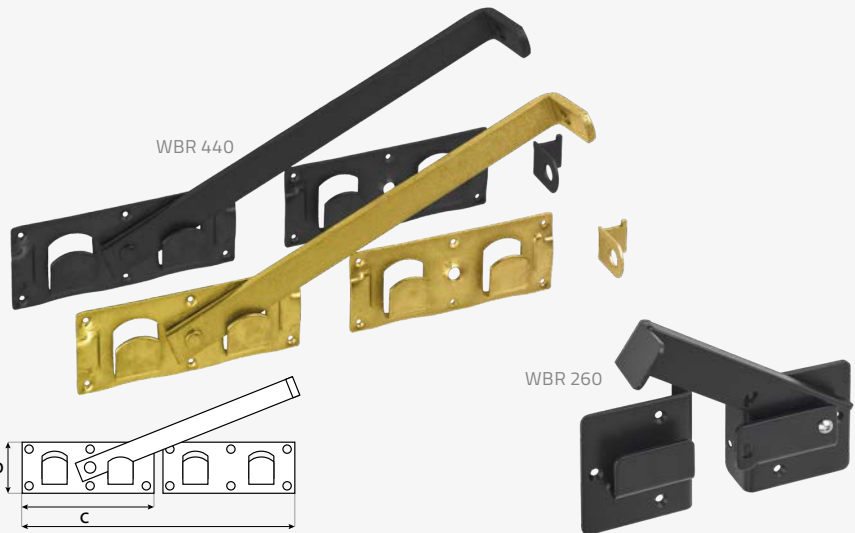
## Gate latch



**Application** Large gate latch with a rustic finish. Used as a closing detail for large gates or doors. Perfect for shed, storage or barn doors. Equipped with an element that allows the use of a padlock.

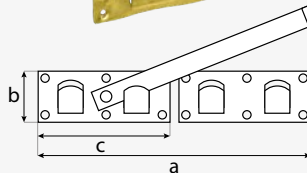
**Material** S235 + yellow galvanization; DUPLEX: S235 + Z275 powder coated black.

**Mounting** Wood screws  $\phi 4$ ,  $\phi 6$ .



WBR 440

WBR 260



| name    | coat. | art no. | dimensions [mm] |     |     |     | holes [mm] |            | weight [g] | pack [pcs] |
|---------|-------|---------|-----------------|-----|-----|-----|------------|------------|------------|------------|
|         |       |         | a               | b   | c   | ≠   | $\phi 4$   | $\phi 6,5$ |            |            |
| WBR 260 | ■     | 86402   | 260             | 115 | 100 | 4,0 | 10         | -          | 1870       | 6          |
| WBR 440 | ●     | 8641    | 440             | 70  | 180 | 8,0 | -          | 12         | 1289       | 5          |
|         | ■     | 86412   | 440             | 70  | 180 | 8,0 | -          | 12         | 1289       | 5          |

**coating:**  
 ● yellow galvanization  
 ■ DUPLEX: S235 + Z275 powder coated, black

**Application** Spring designed for garden gates. The tension is regulated with an Allen key.  
**Material** DC01 + silver galvanization; ZL + powder coated black.  
**Mounting** Wood screws  $\phi 5$ ; screw ZAS  $\phi 4.5$ .



| name    | coat. | art no. | dimensions [mm] |    |        | holes [mm] | weight [g] | pack [pcs] |
|---------|-------|---------|-----------------|----|--------|------------|------------|------------|
|         |       |         | a               | b  | $\neq$ | $\phi 5$   |            |            |
| WHF 280 | ●     | 883821  | 280             | 22 | 3,0    | 2          | 152        | 10         |
|         | ●     | 8838212 | 280             | 22 | 3,0    | 4          | 315        | 10         |

**coating:**  
 ● silver galvanization  
 ● powder coated, black

## WHF

Spring for closing the gate (set)



**Application** Door closer designed for gates or doors. The built-in spring allows you to adjust the door closing speed.  
**Material** ZL + powder coated black.  
**Mounting** Wood screws  $\phi 4$ .



| name  | coat. | art no. | dimensions [mm] |    | holes [mm] | weight [g] | pack [pcs] |
|-------|-------|---------|-----------------|----|------------|------------|------------|
|       |       |         | a               | b  | $\phi 4$   |            |            |
| WHD 1 | ●     | 883831  | 120             | 30 | 6          | 396        | 10         |

**coating:**  
 ● powder coated, black

## WHD

Garden door closer (set)



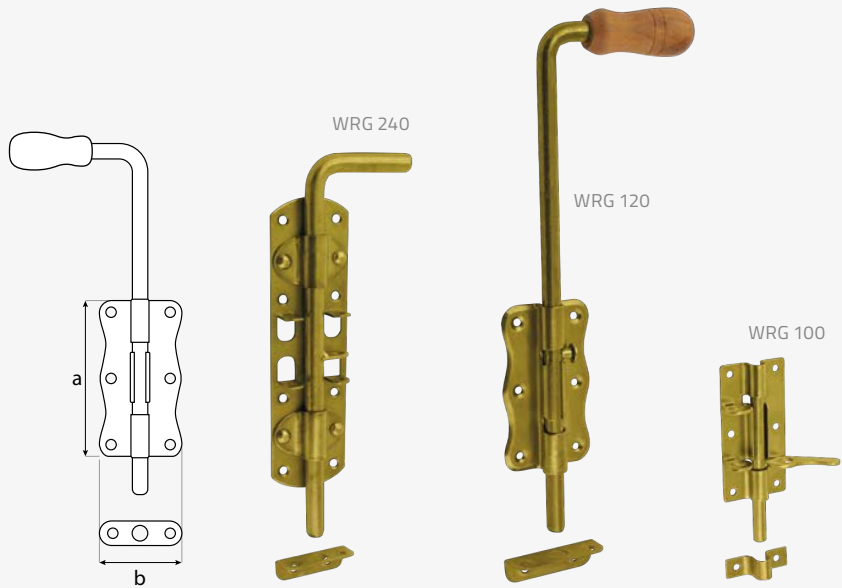


# WRG

## Tower bolt



**Application** Latch with a bent bolt. Designed to block shutters, doors or chests. It prevent automatic movement of doors and flaps.  
**Material** DC01 + yellow galvanization.  
**Mounting** Wood screws  $\varnothing 5$ .



| name    | coat. | art no. | dimensions [mm] |    |     | holes [mm]      | weight [g] | pack [pcs] |
|---------|-------|---------|-----------------|----|-----|-----------------|------------|------------|
|         |       |         | a               | b  | ≠   | $\varnothing 5$ |            |            |
| WRG 100 | ●     | 8630    | 100             | 48 | 1,5 | 8               | 170        | 10         |
| WRG 120 | ●     | 8624    | 120             | 60 | 1,3 | 8               | 611        | 10         |
| WRG 240 | ●     | 8632    | 240             | 60 | 2,0 | 10              | 747        | 10         |

**coating:**  
 ● yellow galvanization

# WOT

## Gate bolt



**Application** Light latch with a bent bolt. Designed for locking shutters, doors and chests. It has a hole for attaching a padlock. Latch prevents automatic movement of doors or flaps and protect against third parties.  
**Material** DC01 + powder coated black.  
**Mounting** Wood screws  $\varnothing 6$ .



| name    | coat. | art no. | dimensions [mm] |    |     | holes [mm]      | weight [g] | pack [pcs] |
|---------|-------|---------|-----------------|----|-----|-----------------|------------|------------|
|         |       |         | a               | b  | ≠   | $\varnothing 6$ |            |            |
| WOT 450 | ●     | 8508312 | 450             | 41 | 2,5 | 6               | 635        | 6          |
| WOT 600 | ●     | 8508322 | 600             | 41 | 2,5 | 6               | 805        | 6          |

**coating:**  
 ● powder coated, black

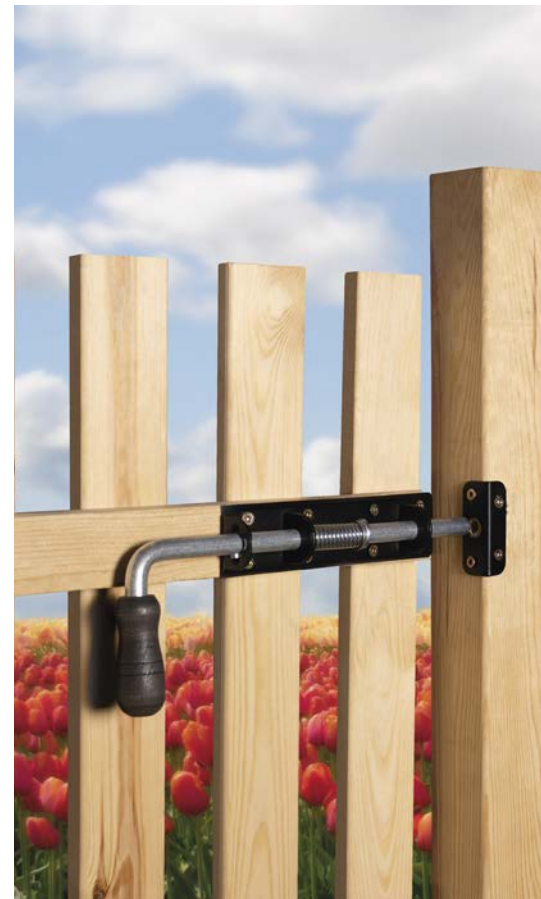
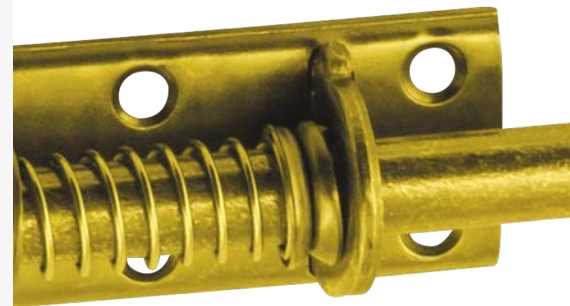
**Application** Spring latch with a wooden handle used as a closing element in various types of wooden gates, doors or shutters. The built-in spring mechanism enables quick and effective closing of the structure.

**Material** DC01 + yellow galvanization; DUPLEX: DC01 + Z275 powder coated black.

**Mounting** Wood screws  $\phi 5$ ; screw ZAS  $\phi 4.5$ .

## WSP

Pull spring bolt  
with wooden grip



| name    | coat. | art no. | dimensions [mm] |     |    | holes [mm] | weight [g] | pack [pcs] |
|---------|-------|---------|-----------------|-----|----|------------|------------|------------|
|         |       |         | a               | b   | c  | $\phi 5$   |            |            |
| WSP 150 | ●     | 8620    | 150             | 50  | –  | 8          | 221        | 10         |
| WSP 200 | ●     | 8618    | 200             | 120 | 30 | 10         | 212        | 10         |
| WSP 260 | ●     | 8621    | 300             | 190 | 50 | 10         | 608        | 10         |
|         | ■     | 86212   | 300             | 190 | 50 | 10         | 608        | 10         |
| WSP 420 | ●     | 8623    | 420             | 190 | 50 | 10         | 737        | 10         |
|         | ■     | 86232   | 420             | 190 | 50 | 10         | 737        | 10         |

**coating:**

- yellow galvanization
- DUPLEX: DC01 + Z275 powder coated, black

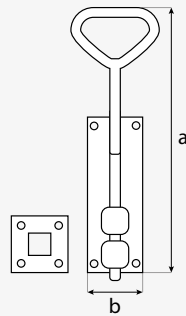
# WRU

## Tower drop bolt



**Application** Safety bolt for swing gates or wickets. Equipped with a convenient handle for opening the gate and limiters that block the movements of the bolt in the latch, thanks to which it does not fall down on its own, and the product can be mounted both in the upper and lower part of the gate. The set includes a plate supporting the rod.

**Material** DC01 + powder coated black.  
**Mounting** Wood screws  $\varnothing 5$ ; screw ZAS  $\varnothing 4.5$ .



| name    | coat. | art no. | dimensions [mm] |    |     | holes [mm]      | weight [g] | pack [pcs] |
|---------|-------|---------|-----------------|----|-----|-----------------|------------|------------|
|         |       |         | a               | b  | ≠   | $\varnothing 5$ |            |            |
| WRU 330 | ●     | 8641911 | 330             | 55 | 3,0 | 10              | 863        | 6          |

**coating:**  
 ● powder coated, black

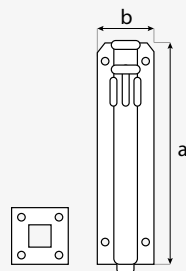
# WRB

## Tower drop bolt



**Application** Security bolt for gates or swing gates. The product is designed that it can be operated with the foot. It is closed by pressing the upper part, opened by pressing the lower part. The set includes a plate supporting the rod.

**Material** DC01 + powder coated black.  
**Mounting** Wood screws  $\varnothing 5$ ; screw ZAS  $\varnothing 4.5$ .



| name    | coat. | art no. | dimensions [mm] |    |     | holes [mm]      | weight [g] | pack [pcs] |
|---------|-------|---------|-----------------|----|-----|-----------------|------------|------------|
|         |       |         | a               | b  | ≠   | $\varnothing 5$ |            |            |
| WRB 210 | ●     | 8641901 | 210             | 52 | 2,3 | 8               | 863        | 6          |

**coating:**  
 ● powder coated, black



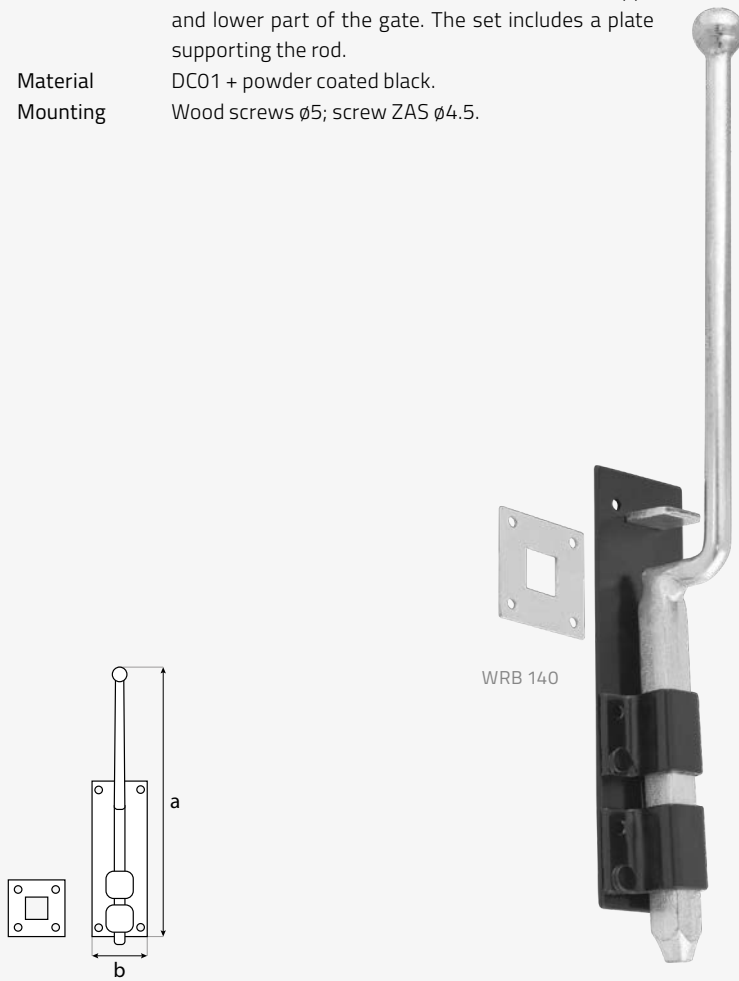
**Application** Security bolt for gates or swing gates. Equipped with limiters that block the movements of the bolt in the bolt, thanks to which it does not fall down by itself, and the detail can be mounted both in the upper and lower part of the gate. The set includes a plate supporting the rod.

**Material** DC01 + powder coated black.

**Mounting** Wood screws  $\varnothing 5$ ; screw ZAS  $\varnothing 4.5$ .

## WRZ

### Tower drop bolt



| name    | coat. | art no. | dimensions [mm] |    |     | holes [mm]      | weight [g] | pack [pcs] |
|---------|-------|---------|-----------------|----|-----|-----------------|------------|------------|
|         |       |         | a               | b  | ≠   | $\varnothing 5$ |            |            |
| WRZ 410 | ●     | 8641921 | 410             | 55 | 3,0 | 10              | 905        | 6          |

**coating:**

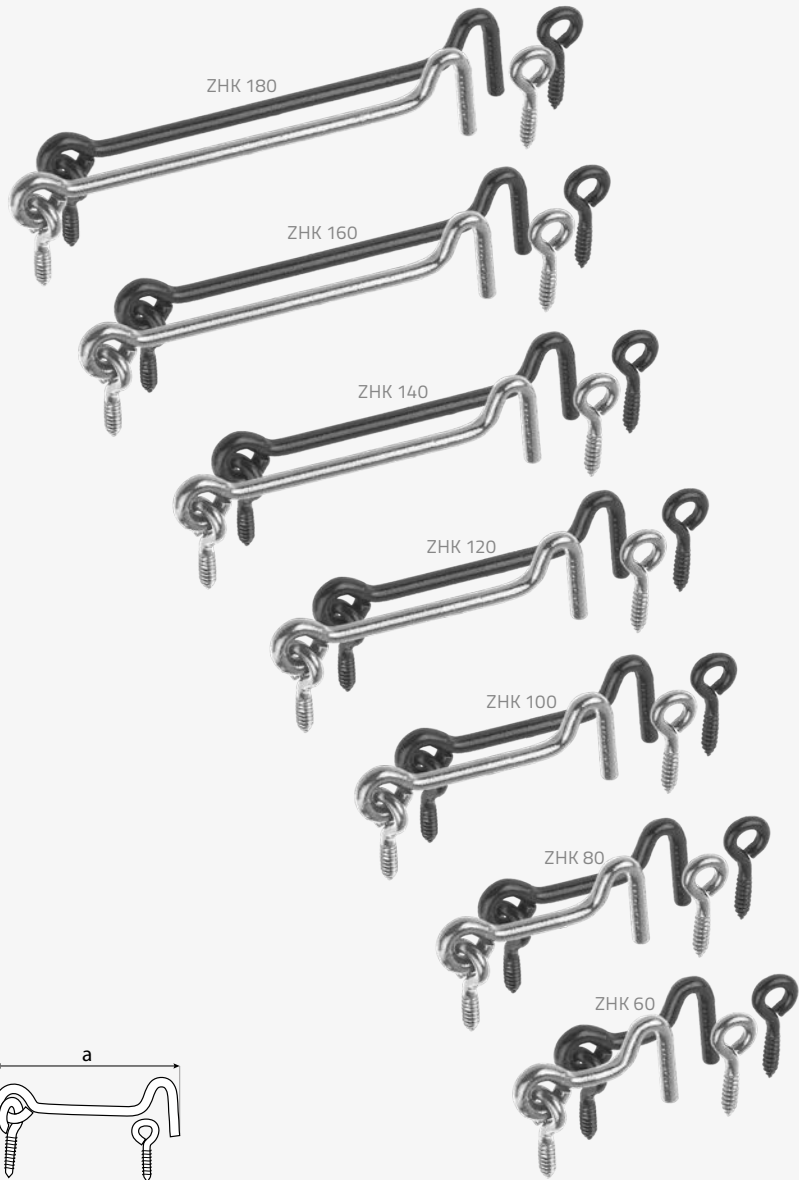
● powder coated, black



# ZHK

## Hook lock

**Application** Hook lock for doors, boxes and shutters.  
**Material** DC01 + silver galvanization; DC01 + powder coated black.  
**Mounting** The hook has an eyelet with a thread for screwing directly into the wood.



| name    | coat. | art no. | dimensions [mm] | weight [g] | pack [pcs] |
|---------|-------|---------|-----------------|------------|------------|
|         |       |         | a               |            |            |
| ZHK 60  | ●     | 8871    | 60              | 17         | 50         |
|         | ●     | 88712   | 60              | 17         | 50         |
| ZHK 80  | ●     | 8872    | 80              | 20         | 50         |
|         | ●     | 88722   | 80              | 20         | 50         |
| ZHK 100 | ●     | 8873    | 100             | 35         | 50         |
|         | ●     | 88732   | 100             | 35         | 50         |
| ZHK 120 | ●     | 8874    | 120             | 38         | 50         |
|         | ●     | 88742   | 120             | 38         | 50         |
| ZHK 140 | ●     | 8875    | 140             | 52         | 20         |
|         | ●     | 88752   | 140             | 52         | 20         |
| ZHK 160 | ●     | 8876    | 160             | 57         | 20         |
|         | ●     | 88762   | 160             | 57         | 20         |
| ZHK 180 | ●     | 8877    | 180             | 70         | 20         |
|         | ●     | 88772   | 180             | 70         | 20         |

**coating:**  
 ● silver galvanization  
 ● powder coated, black

**Application** Lock with a hook equipped with two joints to facilitate work in two axes. Hooks can be used to lock doors, gates or to hold shutters in the open position.

**Material** DC01 + silver galvanization; DC01 + powder coated black.

**Mounting** Wood screws  $\phi 4$ .

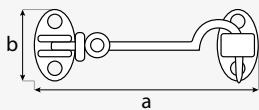
## ZHP

Hook lock

ZHP 110



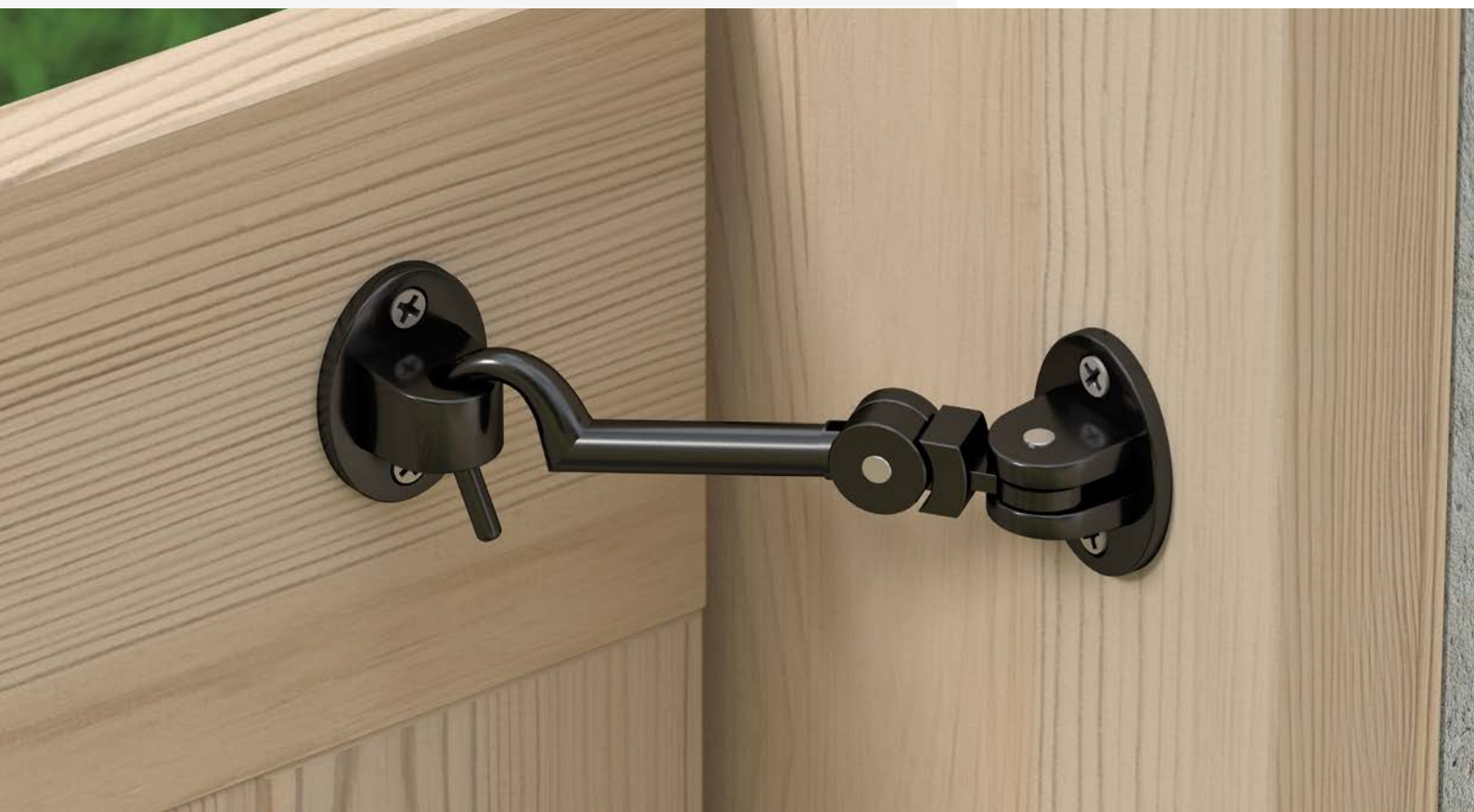
ZHP 160



| name    | coat. | art no. | dimensions [mm] |    | holes [mm] | weight [g] | pack [pcs] |
|---------|-------|---------|-----------------|----|------------|------------|------------|
|         |       |         | a               | b  | $\phi 4$   |            |            |
| ZHP 110 | ●     | 887801  | 106             | 37 | 4          | 118        | 20         |
| ZHP 160 | ●     | 887802  | 157             | 37 | 4          | 138        | 20         |

**coating:**

- powder coated, black
- silver galvanization



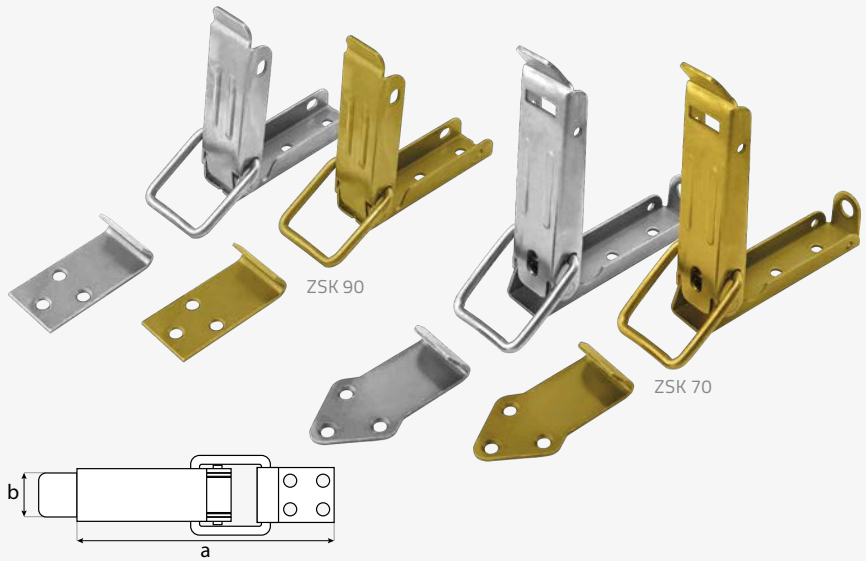


# ZSK

Chest lock



**Application** Folded latch for chests.  
**Material** DC01 + yellow galvanization; DC01 + silver galvanization.  
**Mounting** Wood screws  $\phi 5$ .



| name   | coat. | art no. | dimensions [mm] |    | holes [mm] | weight [g] | pack [pcs] |
|--------|-------|---------|-----------------|----|------------|------------|------------|
|        |       |         | a               | b  | $\phi 5$   |            |            |
| ZSK 70 | ●     | 8760    | 70              | 20 | 5          | 101        | 20         |
|        | ●     | 87604   | 70              | 20 | 5          | 101        | 20         |
| ZSK 90 | ●     | 8761    | 94              | 24 | 5          | 188        | 10         |
|        | ●     | 87614   | 94              | 24 | 5          | 188        | 10         |

**coating:**  
 ● yellow galvanization  
 ● silver galvanization

# SP

Hasp



**Application** Screw-on hasp with multi-purpose use.  
**Material** DC01 + yellow galvanization.  
**Mounting** Wood screws  $\phi 4.5$ ,  $\phi 5$ ,  $\phi 6$ .



| name | coat. | art no. | dimensions [mm] |    |    | holes [mm] |          |          | weight [g] | pack [pcs] |
|------|-------|---------|-----------------|----|----|------------|----------|----------|------------|------------|
|      |       |         | a               | b  | c  | $\phi 4.5$ | $\phi 5$ | $\phi 6$ |            |            |
| SP 4 | ●     | 8665    | 57              | 13 | 18 | 2          | -        | -        | 10         | 20         |
| SP 5 | ●     | 8666    | 59              | 16 | 15 | -          | 2        | -        | 14         | 20         |
| SP 6 | ●     | 8670    | 64              | 39 | 14 | 4          | -        | -        | 43         | 10         |
| SP 7 | ●     | 8671    | 61              | 59 | 23 | -          | -        | 4        | 92         | 10         |

**coating:**  
 ● yellow galvanization



✓ in our offer

# LBO

circle beam connector

see page 95

# ST

## Gate bracket



**Application**

Folding gate bracket with a rubber cover for garage doors and gates. It allows you to lock the door in the open or half-open position.

**Material**

DC01 + yellow galvanization; DC01 + powder coated white, brown, anthracite.

**Mounting**

Wood screws  $\varnothing 6$ .



| name   | coat. | art no. | dimensions [mm] |               |        | holes [mm]      |                   | weight [g] | pack [pcs] |
|--------|-------|---------|-----------------|---------------|--------|-----------------|-------------------|------------|------------|
|        |       |         | a               | $\varnothing$ | $\neq$ | $\varnothing 6$ | $\varnothing 6,5$ |            |            |
| ST 250 | ●     | 8821    | 250             | 14            | 1,0    | 2               | –                 | 132        | 10         |
|        | ○     | 88213   | 250             | 14            | 1,0    | 2               | –                 | 132        | 10         |
|        | ●     | 88214   | 250             | 14            | 1,0    | 2               | –                 | 132        | 10         |
|        | ●     | 88215   | 250             | 14            | 1,0    | 2               | –                 | 132        | 10         |
| ST 350 | ●     | 8822    | 350             | 17            | 1,0    | –               | 4                 | 325        | 2          |

**coating:**

- yellow galvanization
- powder coated white
- powder coated brown
- powder coated anthracite

# SBR

## Gate bolt



**Application**

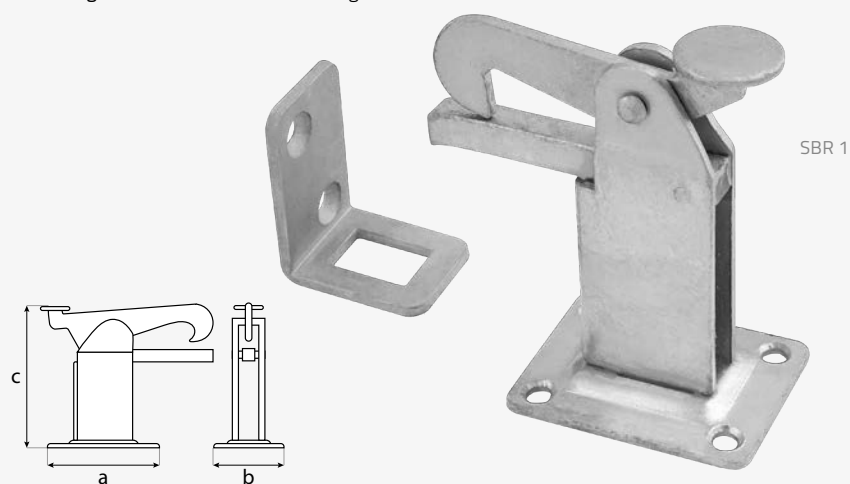
Gate lock used as a closing element in various types of wooden gates and doors.

**Material**

S235 + hot dip galvanized.

**Mounting**

Wood screws  $\varnothing 6$ ; ring anchors M5.



| name  | coat. | art no. | dimensions [mm] |    |    | holes [mm]      | weight [g] | pack [pcs] |
|-------|-------|---------|-----------------|----|----|-----------------|------------|------------|
|       |       |         | a               | b  | c  | $\varnothing 6$ |            |            |
| SBR 1 | ●     | 882711  | 65              | 50 | 98 | 6               | 440        | 4          |

**coating:**

- hot dip galvanized



**Application** A swivel wheel with a shock absorber designed for heavier gates and gates. It facilitates the movement of the gate along the designated track, and the built-in spring reduces the effect of uneven terrain.

**Material** DUPLEX: DC01 + Z275 powder coated black.

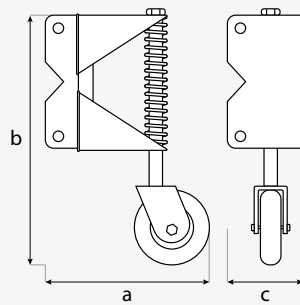
**Mounting** Wood screws  $\varnothing 6$ .

## SBK

### Gate wheel



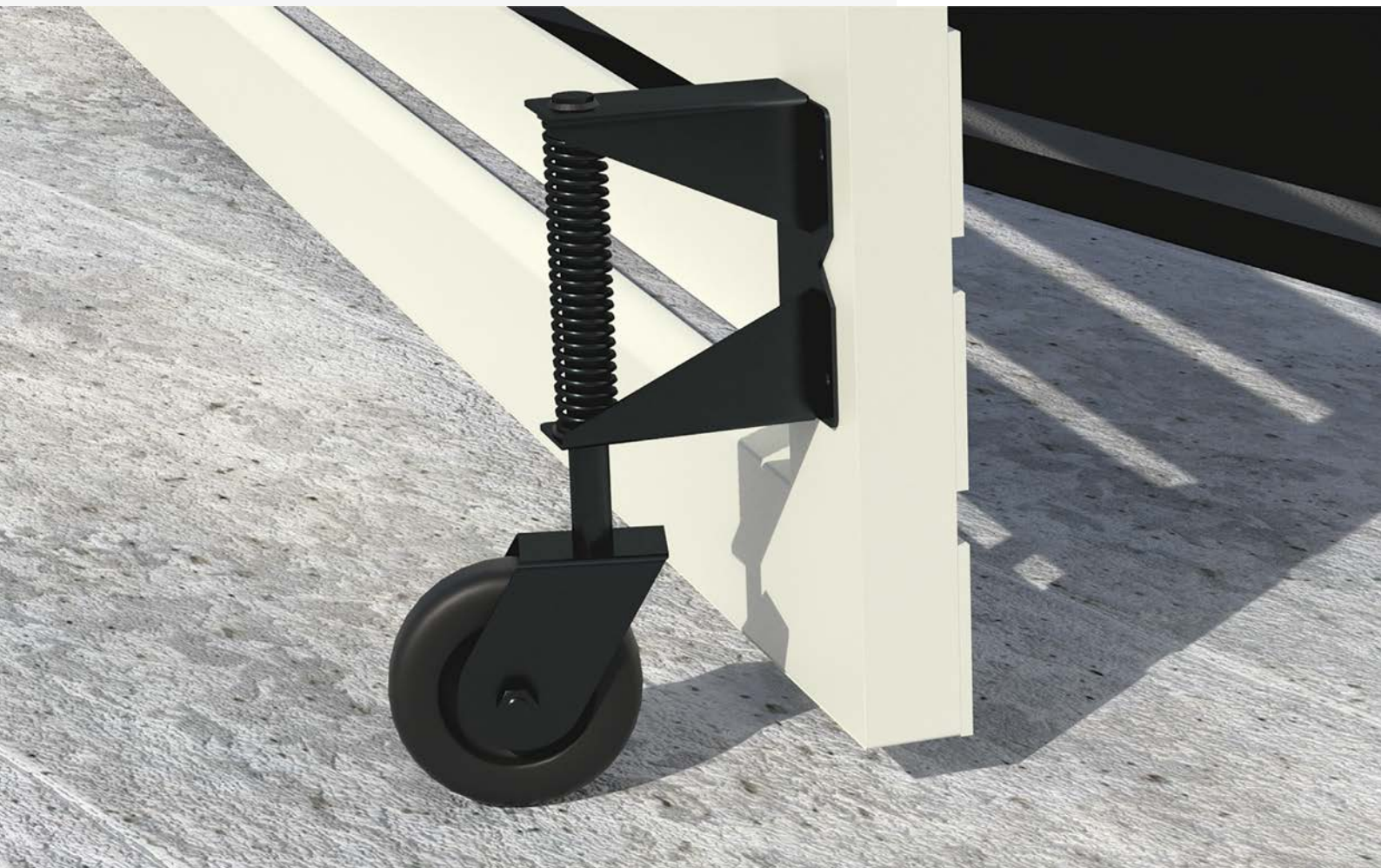
SBK 1



| name  | coat. | art no. | dimensions [mm] |     |    |     | holes [mm]      | weight [g] | pack [pcs] |
|-------|-------|---------|-----------------|-----|----|-----|-----------------|------------|------------|
|       |       |         | a               | b   | c  | ≠   | $\varnothing 6$ |            |            |
| SBK 1 | ■     | 882701  | 285             | 200 | 67 | 2,5 | 7               | 1200       | 4          |

**coating:**

■ DUPLEX: DC01 + Z275 powder coated, black



# SBO

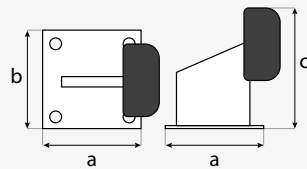
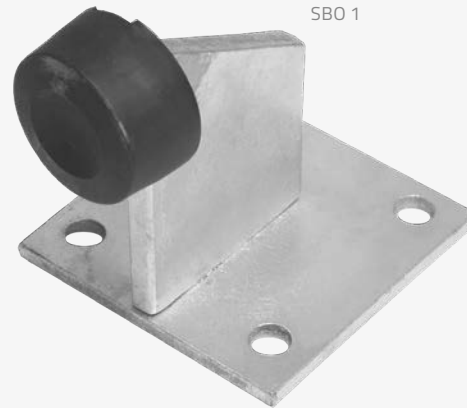
Screw-in  
gate stopper



**Application** Gate stop screwed to concrete. It limits the range and bouncing of the gate leaf, extending its life. The rubber element acts as a bumper.

**Material** S235 + hot dip galvanized.

**Mounting** Ring anchor PBK M10; concrete screw PBW 10.5.



| name  | coat. | art no. | dimensions [mm] |     |     | holes [mm] | weight [g] | pack [pcs] |
|-------|-------|---------|-----------------|-----|-----|------------|------------|------------|
|       |       |         | a               | b   | c   | ø12        |            |            |
| SBO 1 | ●     | 882721  | 100             | 100 | 115 | 4          | 942        | 4          |

**coating:**  
● hot dip galvanized

# SB 90

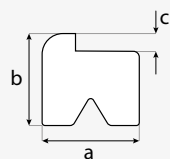
In-concrete  
gate stopper



**Application** A gate stopper designed to be embedded in concrete. It limits the range and bouncing of the gate leaf, extending its life.

**Material** S235 + silver galvanization.

**Mounting** Concrete stopper.



| name  | coat. | art no. | dimensions [mm] |    |    |     | weight [g] | pack [pcs] |
|-------|-------|---------|-----------------|----|----|-----|------------|------------|
|       |       |         | a               | b  | c  | ∅   |            |            |
| SB 90 | ●     | 8825    | 90              | 90 | 16 | 1,5 | 323        | 5          |

**coating:**  
● silver galvanization

**Application** Gate stop screwed to concrete. It limits the range and bouncing of the gate leaf, extending its life.

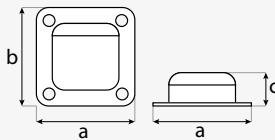
**Material** S235 + silver galvanization.

**Mounting** Concrete screw PBW 7.5; ring anchor M8.

## SB 160

Screw-in  
gate stopper

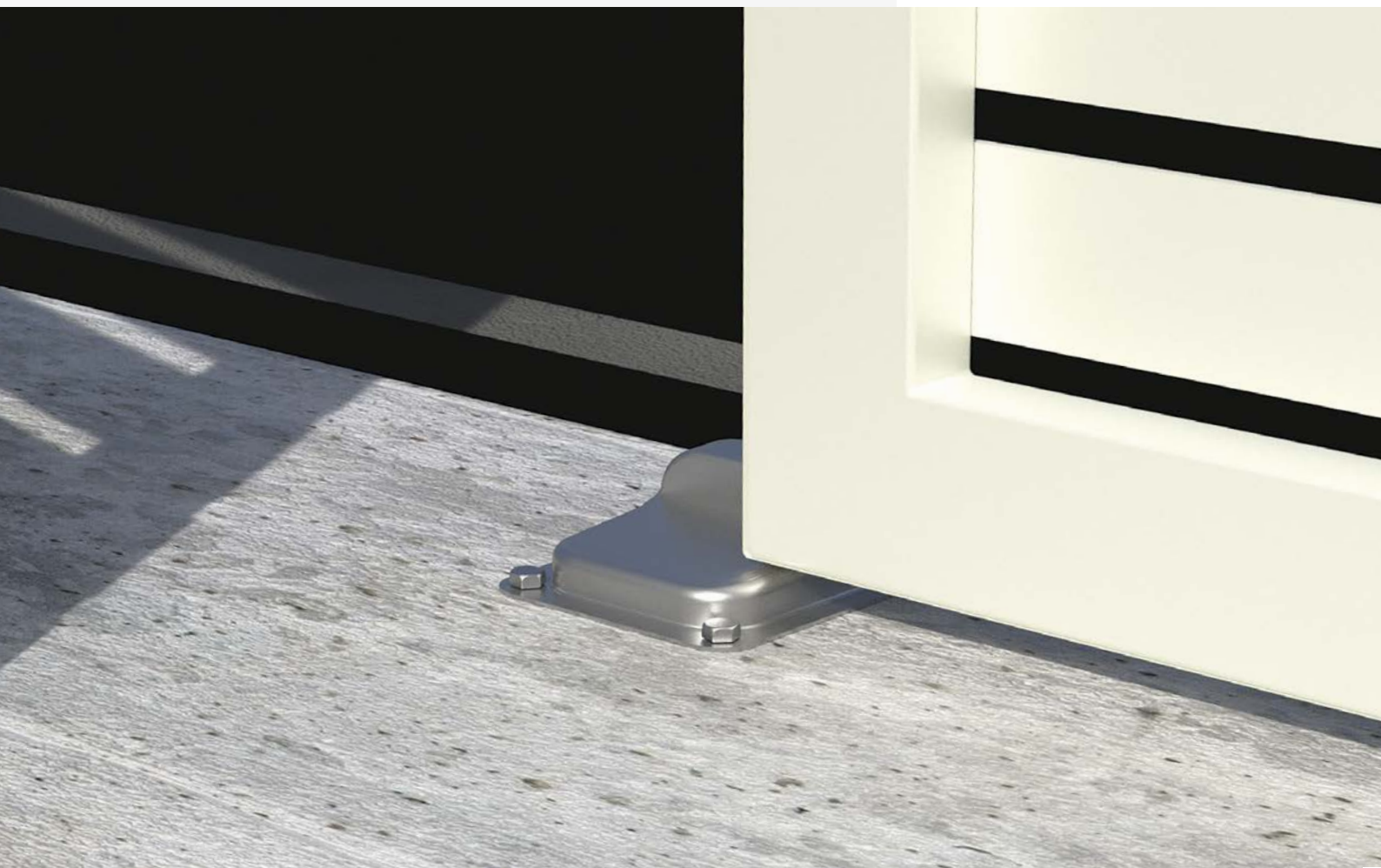
SB 160



| name   | coat. | art no. | dimensions [mm] |     |    |   | holes [mm] | weight [g] | pack [pcs] |
|--------|-------|---------|-----------------|-----|----|---|------------|------------|------------|
|        |       |         | a               | b   | c  | # | ø12        |            |            |
| SB 160 | ●     | 8826    | 158             | 138 | 20 | 4 | 473        | 5          |            |

coating:

- silver galvanization





# UF

## Flag holder



**Application** A simple flag holder allows for easy and convenient flag fixation.  
**Material** DC01 + yellow galvanization.  
**Mounting** Wood: wood screws  $\varnothing 6$ ; stal: śruby M6; beton: kołek 10 mm.



| name | coat. | art no. | dimensions [mm] |     |    |    |     | holes [mm] | weight [g] | pack [pcs] |
|------|-------|---------|-----------------|-----|----|----|-----|------------|------------|------------|
|      |       |         | a               | b   | ø  | ≠1 | ≠2  | ø6,2       |            |            |
| UF 1 | ●     | 8847    | 70              | 110 | 26 | 3  | 1,5 | 3          | 307        | 6          |
| UF 2 | ●     | 8848    | 70              | 110 | 24 | 3  | 1,5 | 3          | 406        | 6          |

**coating:**  
 ● yellow galvanization

# US

## Box handle



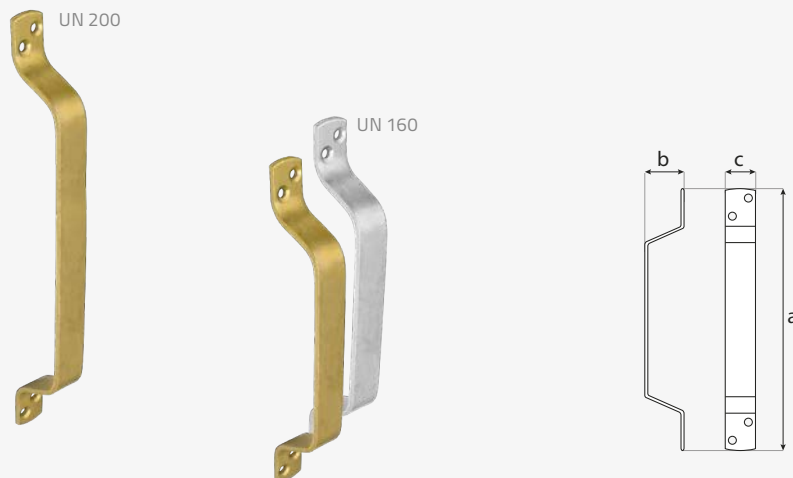
**Application** Classic folding box handle. Used as fittings for convenient opening of drawers, trunks or chests. It will be perfect as a transport handle.  
**Material** DC01 + yellow galvanization; DC01 + silver galvanization; DUPLEX: DC01 + Z275 powder coated black.  
**Mounting** Wood screws  $\varnothing 6$ .



| name   | coat. | art no. | dimensions [mm] |    |     | holes [mm] | weight [g] | pack [pcs] |
|--------|-------|---------|-----------------|----|-----|------------|------------|------------|
|        |       |         | a               | b  | ≠   | ø6         |            |            |
| US 90  | ●     | 8831    | 90              | 70 | 1,5 | 4          | 149        | 10         |
|        | ●     | 88312   | 90              | 70 | 1,5 | 4          | 149        | 10         |
|        | ■     | 88313   | 90              | 70 | 1,5 | 4          | 149        | 10         |
| US 115 | ●     | 8832    | 115             | 80 | 1,5 | 4          | 201        | 10         |

**coating:**  
 ● yellow galvanization  
 ● silver galvanization  
 ■ DUPLEX: DC01 + Z275 powder coated, black

**Application** Universal lightweight handle with a minimalist look for doors, shutters or chests.  
**Material** DC01 + yellow galvanization; DC01 + silver galvanization.  
**Mounting** Wood screws  $\phi 5$ .



| name   | coat. | art no. | dimensions [mm] |    |    |   | holes [mm] |  |     | weight [g] | pack [pcs] |
|--------|-------|---------|-----------------|----|----|---|------------|--|-----|------------|------------|
|        |       |         | a               | b  | c  | ≠ | $\phi 5$   |  |     |            |            |
| UN 160 | ●     | 8840    | 165             | 35 | 20 | 4 | 4          |  | 94  | 10         |            |
|        | ●     | 88402   | 165             | 35 | 20 | 4 | 4          |  | 94  | 10         |            |
| UN 200 | ●     | 8841    | 200             | 40 | 20 | 4 | 4          |  | 130 | 10         |            |

**coating:**  
 ● yellow galvanization  
 ● silver galvanization

# UN

Universal handle



**Application** Classic lightweight handle for doors, shutters or chests.  
**Material** DC01 + silver galvanization; DC01 + powder coated black; DC01 + brass plated.  
**Mounting** Wood screws  $\phi 4$ ,  $\phi 5$ ,  $\phi 6$ .



| name    | coat. | art no. | dimensions [mm] |    |    |     | holes [mm] |          |          | weight [g] | pack [pcs] |
|---------|-------|---------|-----------------|----|----|-----|------------|----------|----------|------------|------------|
|         |       |         | a               | b  | c  | ≠   | $\phi 4$   | $\phi 5$ | $\phi 6$ |            |            |
| UNB 120 | ●     | 88421   | 120             | 31 | 33 | 1,3 | 4          | -        | -        | 22         | 20         |
|         | ●     | 884212  | 120             | 31 | 33 | 1,3 | 4          | -        | -        | 22         | 20         |
|         | ●     | 884214  | 120             | 31 | 33 | 1,3 | 4          | -        | -        | 22         | 20         |
| UNB 140 | ●     | 88422   | 145             | 36 | 40 | 1,3 | -          | 4        | -        | 40         | 20         |
|         | ●     | 884222  | 145             | 36 | 40 | 1,3 | -          | 4        | -        | 40         | 20         |
|         | ●     | 884224  | 145             | 36 | 40 | 1,3 | -          | 4        | -        | 40         | 20         |
| UNB 160 | ●     | 88423   | 165             | 40 | 46 | 1,3 | -          | -        | 4        | 57         | 10         |
|         | ●     | 884232  | 165             | 40 | 46 | 1,3 | -          | -        | 4        | 57         | 10         |
|         | ●     | 884234  | 165             | 40 | 46 | 1,3 | -          | -        | 4        | 57         | 10         |

**coating:**  
 ● silver galvanization  
 ● powder coated, black  
 ● brass plated

# UNB

Handle

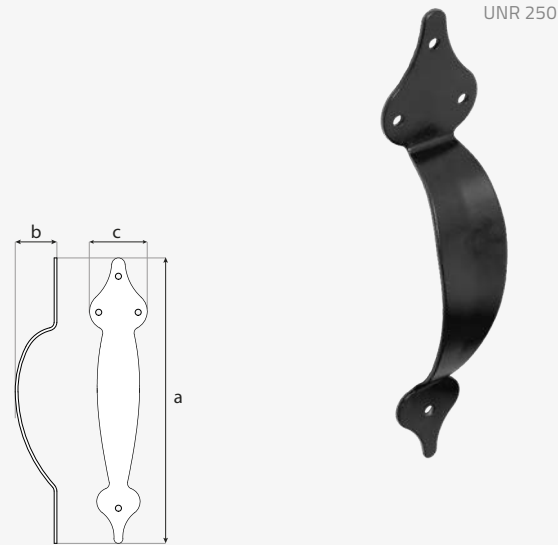


# UNR

Handle



**Application** Decorative handle with decorative embossing for doors, shutters or chests.  
**Material** DUPLEX: DC01 + Z275 powder coated black.  
**Mounting** Wood screws  $\phi 5$ ; screw ZAS  $\phi 4.5$ .



| name    | coat. | art no. | dimensions [mm] |    |    |     | holes [mm] | weight [g] | pack [pcs] |
|---------|-------|---------|-----------------|----|----|-----|------------|------------|------------|
|         |       |         | a               | b  | c  | ≠   | $\phi 5$   |            |            |
| UNR 250 | ■     | 884252  | 250             | 52 | 40 | 2,5 | 4          | 153        | 10         |

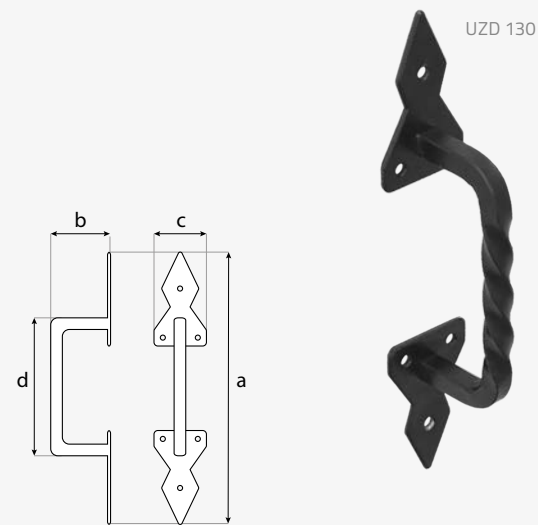
**coating:**  
 ■ DUPLEX: DC01 + Z275 powder coated, black

# UZD

Decorative handle



**Application** Decorative handle in a rustic style for doors, shutters or chests.  
**Material** DUPLEX: DC01 + Z275 powder coated black.  
**Mounting** Wood screws  $\phi 5$ ; screw ZAS  $\phi 4.5$ .



| name    | coat. | art no. | dimensions [mm] |    |    |     | holes [mm] | weight [g] | pack [pcs] |            |
|---------|-------|---------|-----------------|----|----|-----|------------|------------|------------|------------|
|         |       |         | a               | b  | c  | d   | ≠          |            |            | $\phi 5,5$ |
| UZD 130 | ■     | 79962   | 270             | 57 | 52 | 130 | 3,0        | 6          | 351        | 5          |

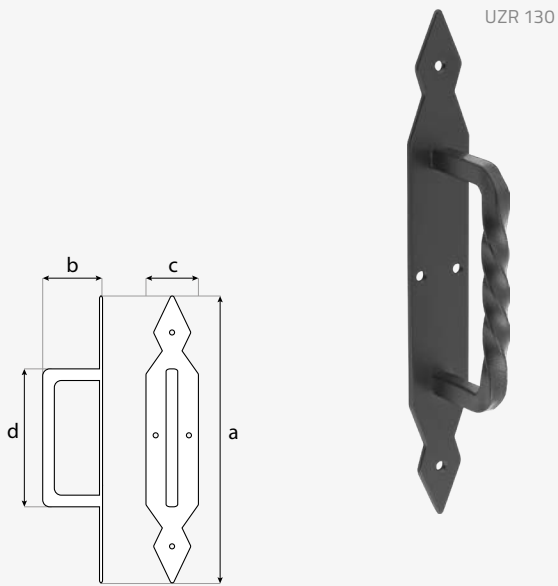
**coating:**  
 ■ DUPLEX: DC01 + Z275 powder coated, black



Application Decorative handle in a rustic style for doors, shutters or chests.  
 Material DUPLEX: DC01 + Z275 powder coated black.  
 Mounting Wood screws  $\phi 5$ ; screw ZAS  $\phi 4.5$ .

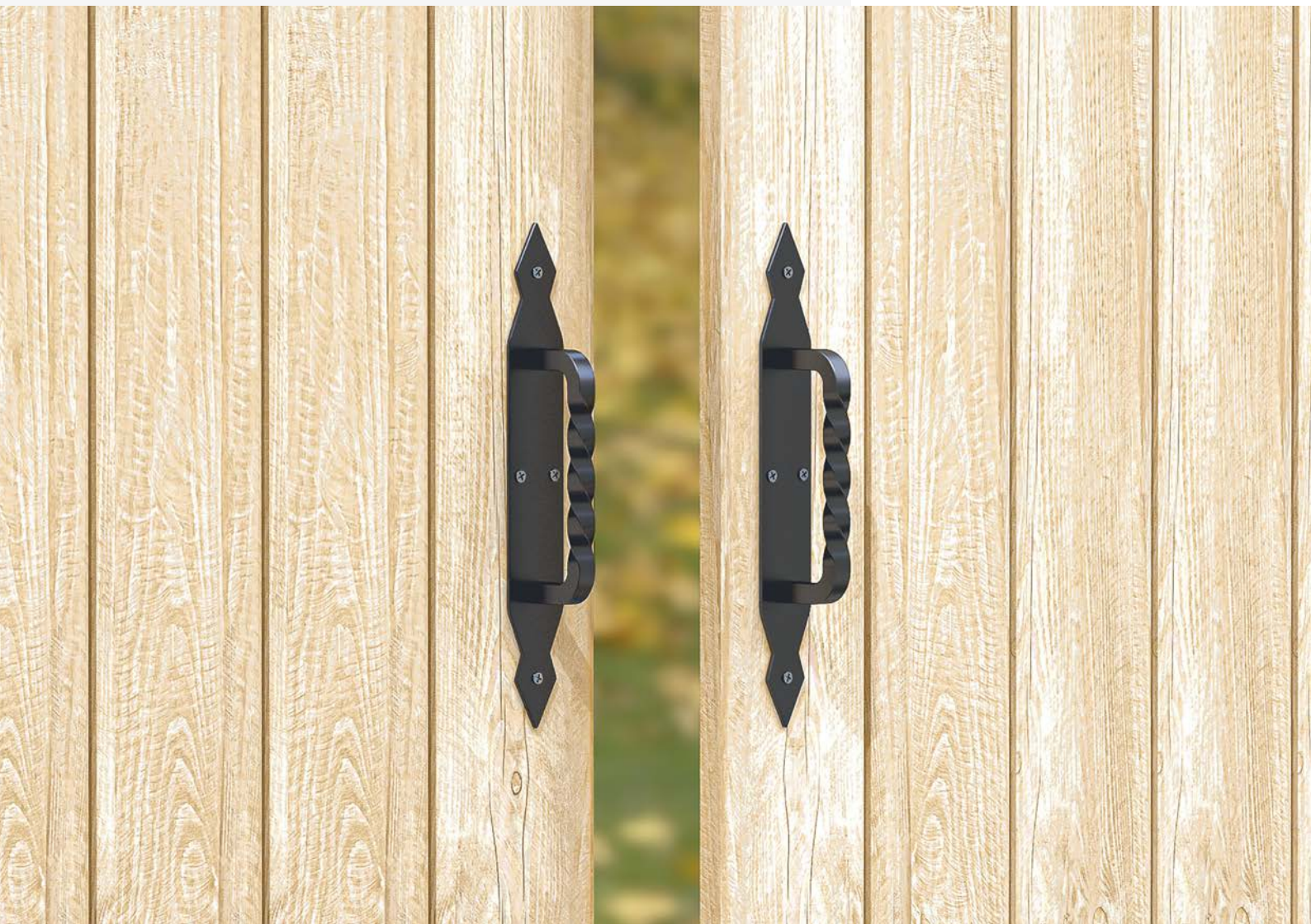
# UZR

## Decorative handle



| name    | coat. | art no. | dimensions [mm] |    |    |     |     | holes [mm] |     | weight [g] | pack [pcs] |
|---------|-------|---------|-----------------|----|----|-----|-----|------------|-----|------------|------------|
|         |       |         | a               | b  | c  | d   | ≠   | $\phi 5$   |     |            |            |
| UZR 130 | ■     | 79972   | 290             | 60 | 40 | 130 | 3,0 | 4          | 453 | 5          |            |

coating:  
 ■ DUPLEX: DC01 + Z275 powder coated, black



# WHA

Handle with a hole  
(set)



**Application**

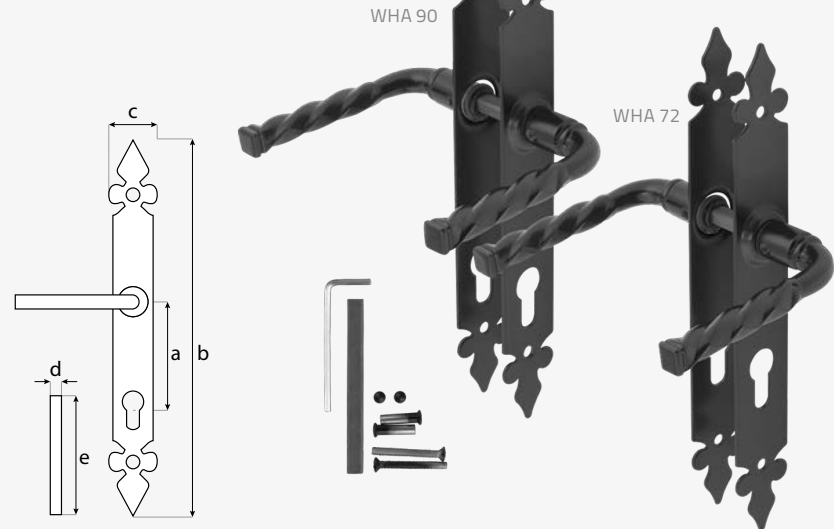
Rustic door handle with an oblong plate. The universal design allows it to be used in both left and right doors. Equipped with a hole for mounting a cylinder to the lock.

**Material**

DC01 + powder coated black.

**Mounting**

Metric screws included.



| name   | coat. | art no. | dimensions [mm] |     |    |   |    | weight [g] | pack [pcs] |
|--------|-------|---------|-----------------|-----|----|---|----|------------|------------|
|        |       |         | a               | b   | c  | d | e  |            |            |
| WHA 72 | ●     | 883891  | 72              | 270 | 36 | 8 | 85 | 400        | 10         |
| WHA 90 | ●     | 883892  | 90              | 270 | 36 | 8 | 85 | 420        | 10         |

**coating:**

● powder coated, black

# WHB

Handle without  
a hole (set)



**Application**

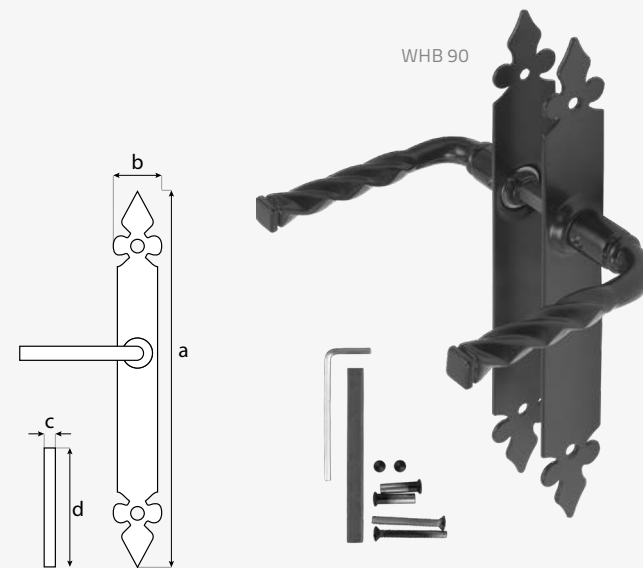
Rustic door handle with an oblong plate. The universal design allows it to be used in both left and right doors.

**Material**

DC01 + powder coated black.

**Mounting**

Metric screws included.



| name   | coat. | art no. | dimensions [mm] |    |   |    | weight [g] | pack [pcs] |
|--------|-------|---------|-----------------|----|---|----|------------|------------|
|        |       |         | a               | b  | c | d  |            |            |
| WHB 90 | ●     | 883893  | 270             | 36 | 8 | 85 | 450        | 10         |

**coating:**

● powder coated, black





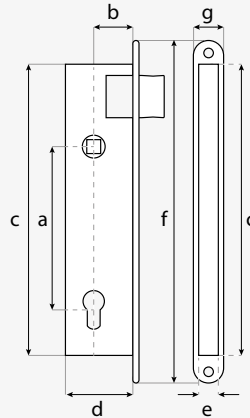


# WHU

Ratchet lock  
(set)



**Application** Narrow latch type lock consisting of a set: lock, striker, mounting screws. The universal design allows it to be used in both left and right doors.  
**Material** DC01 + powder coated black.  
**Mounting** Metric screws included.



| name   | coat. | art no. | dimensions [mm] |    |     |    |    |     |    | weight [g] | pack [pcs] |
|--------|-------|---------|-----------------|----|-----|----|----|-----|----|------------|------------|
|        |       |         | a               | b  | c   | d  | e  | f   | g  |            |            |
| WHU 90 | ●     | 883844  | 90              | 22 | 180 | 39 | 13 | 220 | 20 | 418        | 8          |

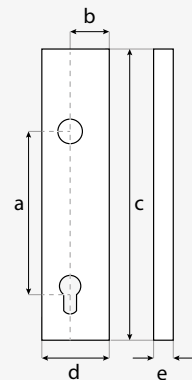
coating:  
● powder coated, black

# WHUP

Mortise lock case



**Application** Gate lock box used with standard inserts.  
**Material** DC01 + oil film.  
**Mounting** Weld-on lock box.



| name    | coat. | art no. | dimensions [mm] |    |     |    |    |    |     | weight [g] | pack [pcs] |
|---------|-------|---------|-----------------|----|-----|----|----|----|-----|------------|------------|
|         |       |         | a               | b  | c   | d  | e  | ≠  |     |            |            |
| WHUP 90 | ●     | 883845  | 90              | 22 | 225 | 42 | 26 | 20 | 374 | 10         |            |

coating:  
● oil film

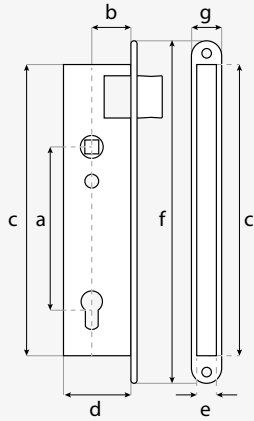
**Application** Narrow latch type lock consisting of a set: lock, striker, mounting screws. It is available in the right and left version.

**Material** DC01 + powder coated black.

**Mounting** Metric screws included.

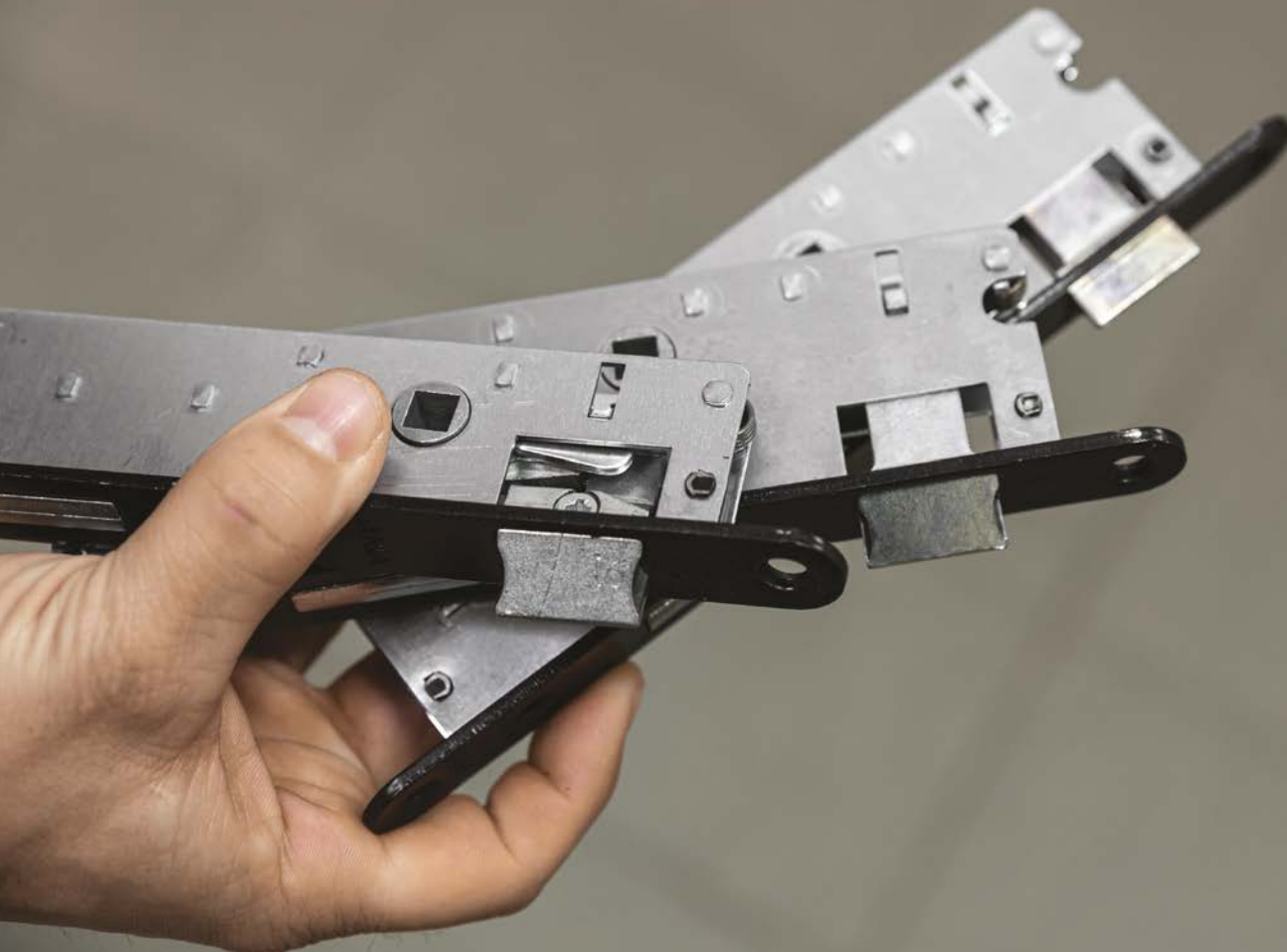
# WHZ

Ratchet lock (set)



| name     | coat. | art no. | dimensions [mm] |    |     |    |    |     |    | weight [g] | pack [pcs] |
|----------|-------|---------|-----------------|----|-----|----|----|-----|----|------------|------------|
|          |       |         | a               | b  | c   | d  | e  | f   | g  |            |            |
| WHZ 72 P | ●     | 883842  | 72              | 34 | 180 | 50 | 13 | 220 | 20 | 430        | 8          |
| WHZ 72 L | ●     | 883843  | 72              | 34 | 180 | 50 | 13 | 220 | 20 | 430        | 8          |

coating:  
● powder coated, black



# WHO

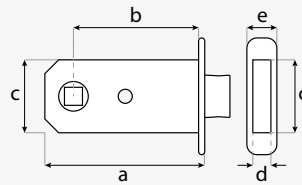
## Ratchet lock (set)



**Application** Classic ratchet lock with a latch. The universal design allows it to be used in both left and right doors.

**Material** DC01 + yellow galvanization.

**Mounting** Wood screws included.

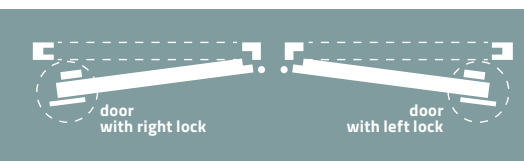


| name   | coat. | art no. | dimensions [mm] |    |    |    |    |    | weight [g] | pack [pcs] |
|--------|-------|---------|-----------------|----|----|----|----|----|------------|------------|
|        |       |         | a               | b  | c  | d  | e  | f  |            |            |
| WHO 72 | ●     | 883841  | 72              | 50 | 34 | 15 | 16 | 80 | 161        | 10         |

**coating:**  
● yellow galvanization

# WHW

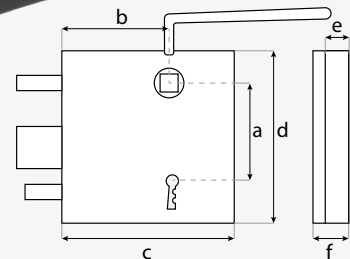
## Rural door lock (set)



**Application** Classic rural lock that is used in stylish and rustic doors. The set includes: 2 handles, 2 bolts (one operated with a key, the other additionally closed from the inside), an external shield, a universal striker, 2 keys for the lock and a set of fixing screws. A solid cast iron latch handle and other lock elements made of steel make the entire structure extremely durable.

**Material** DC01 + powder coated black.

**Mounting** Wood screws included.



| name      | coat. | art no. | dimensions [mm] |    |     |     |    |    | weight [g] | pack [pcs] |
|-----------|-------|---------|-----------------|----|-----|-----|----|----|------------|------------|
|           |       |         | a               | b  | c   | d   | e  | f  |            |            |
| WHW 100 P | ●     | 883846  | 60              | 65 | 100 | 110 | 20 | 40 | 800        | 10         |
| WHW 100 L | ●     | 883847  | 60              | 65 | 100 | 110 | 20 | 40 | 800        | 10         |

**coating:**  
● powder coated, black



✓ in our offer

# WKT

double threaded insulation screw

see page 298



domax

# domax

**DOMAX Sp. z o.o.**

al. Parku Krajobrazowego 109  
Łężyce, 84-207 Koleczkowo, Poland  
tel. +48 58 665 82 22  
fax: +48 58 665 81 20  
e-mail: handlowy@domax.com  
[www.domax.com](http://www.domax.com)

**DOMAX Česko s.r.o.**

Staroměstská 534  
739 61 Třinec, Czech Republic  
tel. +420 558 273 401  
e-mail: obchod@domax.cz

**DOMAX SK s.r.o.**

Nádražná 329  
015 01 Rajec, Slovakia  
tel. +421 (0) 41 598 3002  
e-mail: obchod@domax.com

**DOMAX System Distribution S.R.L.**

Str. George Cosbuc, nr. 13, et. 1,  
camera 1  
Ploiești, România  
+40 770 245 911  
e-mail: birou@domax.com

**DOMAX Distribution d.o.o.**

ul. Koledovčina 8  
10000 Zagreb  
Hrvatska  
tel. +385 99 524 3260  
e-mail: ured@domax.com

**DMX System doo**

Trnjaci 38  
11500 Krtinska Obrenovac, Serbia  
tel. +381 11 875 5064  
tel. +381 65 245 7294  
tel. +381 65 245 7293  
e-mail: office@dmxsystem.com

**DOMAX Bulgaria LTD**

Домакс България ЕООД  
София  
ул. Сан Стефано 23 А, et. 2 ап. 4  
тел. +359 882809169  
e-mail: officebg@domax.com

**DOMAX in Spain**

David Jaén Segura  
tel. +34 977 18 29 44  
fax: +34 977 69 16 49  
movil: +34 607 90 48 26  
e-mail: d.jaen@domax.com

**DOMAX in Baltics**

SIA Polfix  
Gustava Zemgala gatve 77 k-1  
1039 Riga, Latvia  
tel. +371 28334477  
e-mail: baltics@domax.com

**DOMAX in Moldova**

Група компаний LIDER SRL „Profmet Grup”  
г. Кишинев  
ул. Петриканская 33  
тел. (+373) 84-46-71  
факс: (+373) 84-46-72  
e-mail: krepej@lider.md

**DOMAX Deutschland UG**

Ehrenbergstraße 23  
14195 Berlin, Deutschland  
Tel. + 49 17679072971  
e-mail: verkauf@domax.com